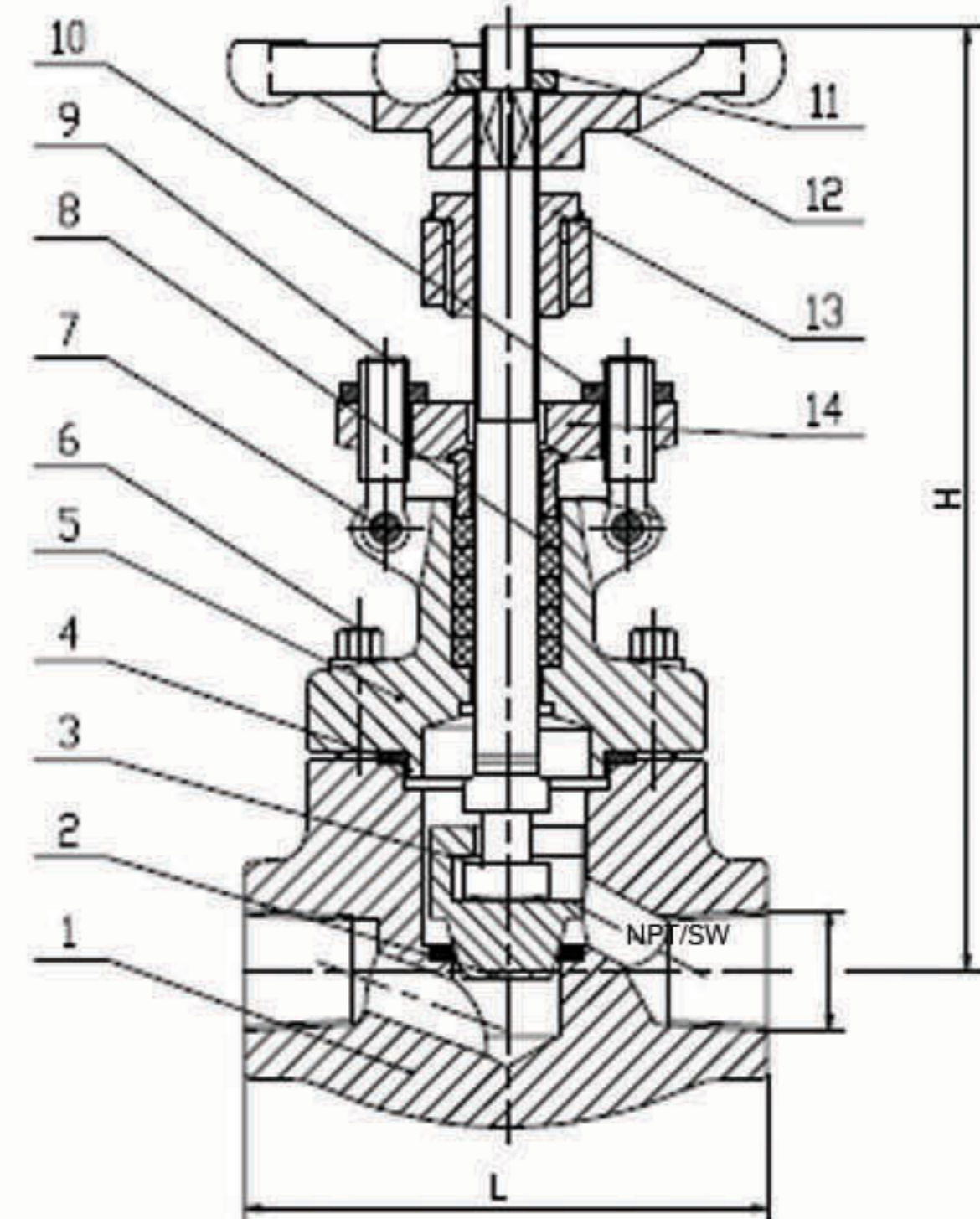


Forged Steel Globe Valve, Class 800 / 1500

Model : FGL-N8, FGL-W8, FGL-W15



Specification Standards :

- Basic design : API 602
- Test standard : API 598
- Screw end dimension : ANSI B1.20.1 / NPT
- Socket welding dimension : ASME B16.11

Features :

- Bolted bonnet
- Plug disc designed
- Hand wheel operation
- Adjustable stem packing
- Pressure Rating Class : 800#, Trim 8
- Pressure Rating Class : 1500#, Trim 5

Application :

- For general and industrial services
- Applicable medium : water, steam, oil and gas

Materials :

No.	Part	Material
1	Body	A105 / F22 A182
2	Disc	A182 F6a+STL
3	Stem	A182 F6a
4	Gasket	304+graphite
5	Bonnet	ASTM A105/F22
6	Pin	304
7	Bolt	A193 B7
8	Nut	A194 2H
9	Stem nut	A108-1045
10	Handwheel	QT400-15
11	Nut	A194 2H
12	Gland flange	ASTM A105
13	Gland	A276 410
14	Packing	Graphite

Test Requirements Class 800#

Working Pressure	800 PSI (55 Bar)
Shell Test Pressure	1200 PSI (82 Bar)
Applicable Temperature	< 425 °C

Dimensions

mm

Size		1/2"	3/4"	1"	1-1/4"	1-1/2"	2"
Class 800#	L	79	92	111	120	152	172
	H	166	175	206	228	262	300
Class 1500#	L	111	111	120	152	172	220
	H	170	193	230	246	283	325