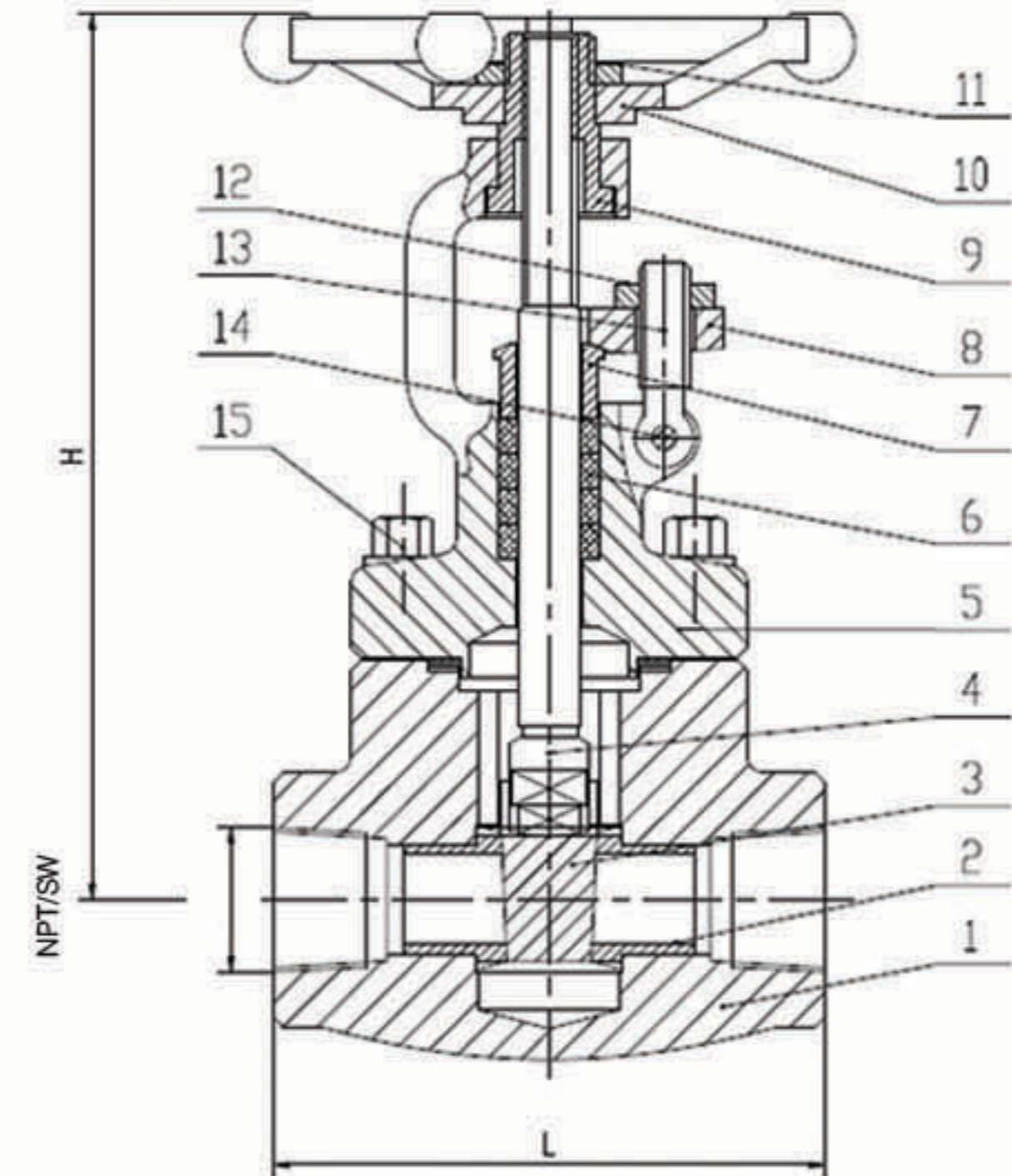


# Forged Steel Gate Valve, Class 800 / 1500

Model : FGA-N8, FGA-W8, FGA-W15



### Specification Standards :

- Basic design : API 602
- Test standard : API 598
- Screw end dimension : ANSI B1.20.1 / NPT
- Socket welding dimension : ASME B16.11

### Features :

- Bolted bonnet
- Solid wedge disc designed
- Hand wheel operation
- Adjustable stem packing
- Pressure Rating Class : 800#, Trim 8
- Pressure Rating Class : 1500#, Trim 5

### Application :

- For general and industrial services
- Applicable medium : water, steam, oil and gas

### Materials :

No.	Part	Material
1	Body	A105 / F22 A182
2	Seat	A182 F6a
3	Wedge	A182 F6a+STL
4	Stem	ASTM A182 F6a
5	Bonnet	ASTM A105/F22
6	Packing	304+graphite
7	Gland	ASTM A182 F6a
8	Gland flange	A182 F6a
9	Stem nut	A108-1045
10	Handwheel	QT400-15
11	Lock nut	A194 2H
12	Nut	A194 2H
13	Bolt	A193 B7
14	Pin	304
15	Bonnet bolt	A193 B7

### Test Requirements Class 800#

Working Pressure	800 PSI ( 55 Bar )
Shell Test Pressure	1200 PSI ( 82 Bar )
Applicable Temperature	< 425 °C

### Dimensions

mm

Size		1/2"	3/4"	1"	1-1/4"	1-1/2"	2"
Class 800#	L	79	92	111	120	120	140
	H	166	169	193	230	246	283
Class 1500#	L	111	111	120	120	140	176
	H	193	230	246	283	325	334