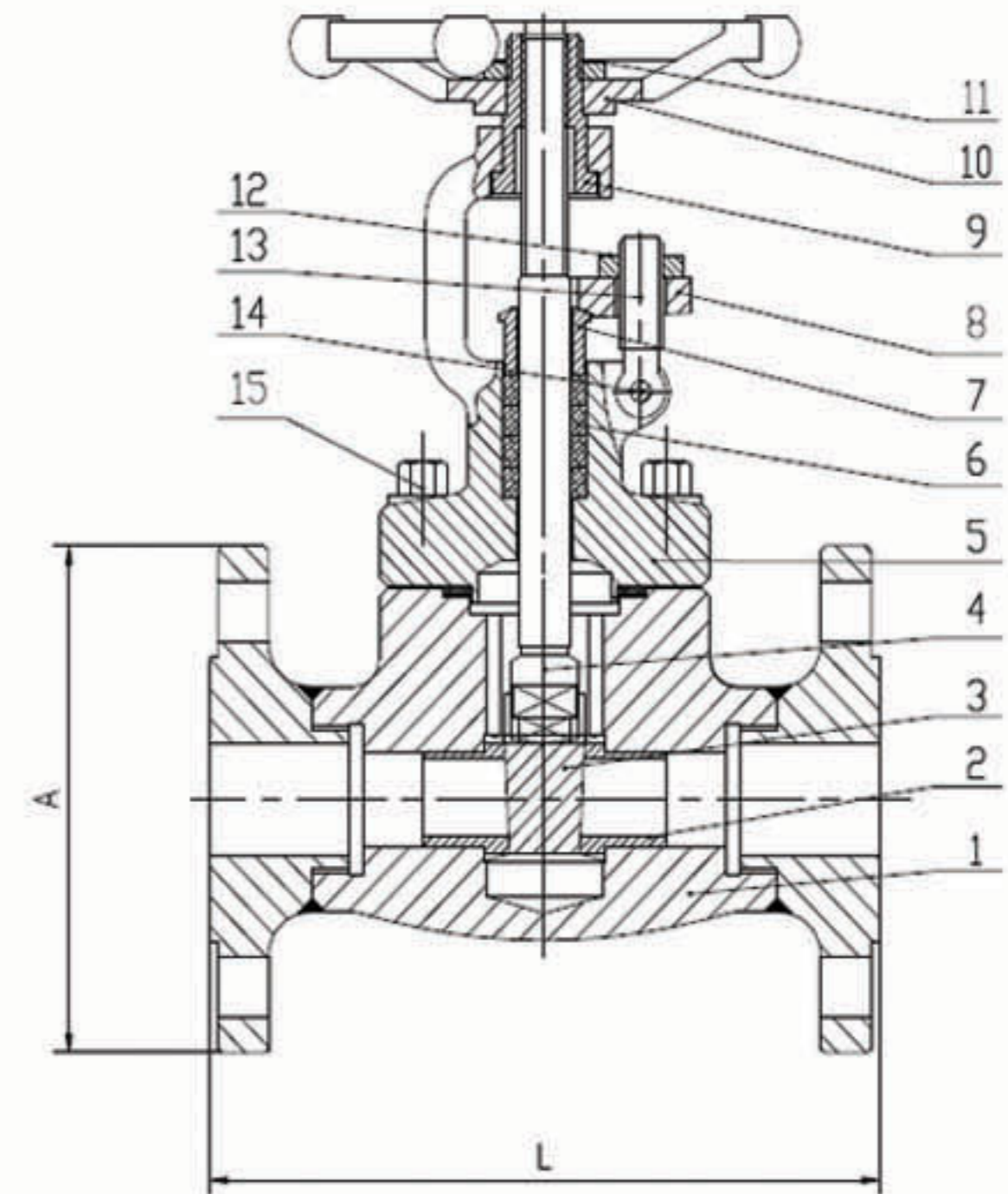


# Forged Steel Gate Valve, ANSI 150 PSI / 300 PSI

Model : FGA-F2, FGA-F5



### Specification Standards :

- Basic design : API 602
- Test standard : API 598
- Face to face dimensions : ANSI B16.10
- Flange dimension : ASME B16.5

### Features :

- Bolted bonnet
- Solid wedge disc designed
- Hand wheel operation
- Adjustable stem packing
- Pressure Rating Class : 150# / 300#
- Trim 8

### Application :

- For general and industrial services
- Applicable medium : water, steam, oil and gas

### Materials :

No.	Part	Material
1	Body	ASTM A105
2	Seat	13Cr+STL
3	Wedge	13Cr
4	Stem	F6a
5	Bonnet	A105
6	Packing	Graphite
7	Gland	A276-410
8	Gland flange	A105
9	Stem nut	A1045
10	Handwheel	A47
11	Lock nut	A194 2H
12	Nut	A194 2H
13	Bolt	A193 B7
14	Pin	A276-410
15	Bonnet bolt	A193 B7

### Test Requirements

Working Pressure	150 PSI ( 10 Bar )
Maximum Pressure	200 PSI ( 14 Bar )
Shell Test Pressure	300 PSI ( 21 Bar )
Applicable Temperature	≤ 425 °C

### Dimensions

mm

Size		1/2"	3/4"	1"	1-1/4"	1-1/2"	2"
Class 150#	A	89	98	108	118	127	152
	L	108	117	127	140	165	178
Class 300#	A	95	118	124	133	156	165
	L	140	152	165	178	190	216