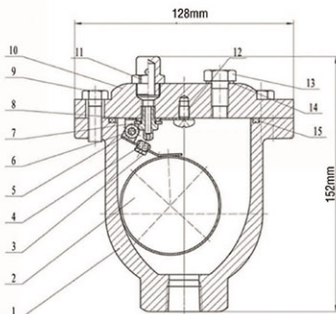


Cast Steel Air Release Valve, NPT

Model : CAV-N300



Specification Standards :

- Design standard : BS EN 1074-4
- Threaded end connection : ANSI B1.20.1 / NPT
- Standard for pressure test : BS EN 12266

Features :

- Simple float operated valve that allows bleeding of air from piping systems without allowing water (liquid) to escape.
- When the valve chamber is empty the float remains in the lower position. In this position the valve is open & thus allows air to escape. As water enters the chamber it lifts the float. Finally when chamber is full of water the float is in upper position and the valve is closed thus preventing water from leaking out.
- The float is made from stainless steel for longer service life.
- The rubber seat offers good sealing to prevent leakage.

Application :

- For general and industrial services
- Applicable medium : water, oil, gas

Materials :

No.	Description	Material
1	Body	Ductile iron
2	Float ball	Stainless steel
3	Bushing	Brass
4	Rubber seat	EPDM
5	Pivot pin	Stainless steel
6	Seat	Brass
7	Gasket	Stainless steel
8	O-ring seal	EPDM
9	Hexagon bolt	Mild steel(hot dip galv)
10	Cover	Ductile iron
11	Nipple	Brass
12	Screw	Stainless steel
13	Hexagon bolt	Stainless steel
14	O-ring-seal	EPDM
15	O-ring-seal	EPDM

Dimensions

mm

Size	A	H	C	PTN	Wt(Kg)
DN15	120	155	60	1/2"	3.1
DN20	120	155	60	3/4"	3.2
DN25	120	155	60	1"	3.5

Test Requirements

Working Pressure	300 PSI (21 Bar)
Shell Test Pressure	450 PSI (31 Bar)
Applicable Temperature	< 80 °C