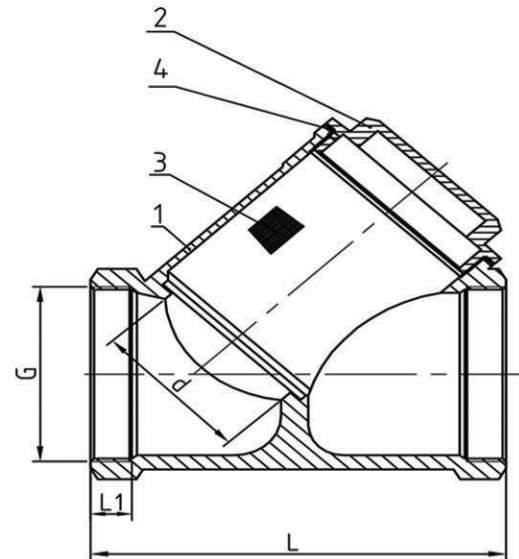


Brass Y-Strainer, BSPT, Class 200 PSI

Model : BYS-S200



Specification Standards :

- Pipe thread end is according : ISO 228 (DIN 259)
BS 21 (JIS B0203)

Features :

- Screwed end BSPT/PP connection
- Forged brass
- Cleaning of screen without disassembling
- Screen stainless steel
- Y - pattern body design
- Screwed cap

Application :

- For general and industrial services
- Applicable medium : water, light oil, & non-corrosive and non-combustible gas

Materials :

No.	Parts	Material
1	Body	Brass (HPB57-3)
2	Bonnet	Brass (HPB57-3)
3	Net	SS304
4	Packing gland	Polysulfone

Test Requirements	
Working Pressure	150 PSI (10 Bar)
Maximum Pressure	200 PSI (14 Bar)
Shell Test Pressure	300 PSI (21 Bar)
Applicable Temperature	< 120 °C

Dimensions

mm

Size	1/2"	3/4"	1"	1-1/4"	1-1/2"	2"	2-1/2"	3"	4"
L	60	71	80	91	101	125	175	176	206
L1	14	15	16	16	16	18	18	19	24
d	15	20	24	30	35	44	55	70	85