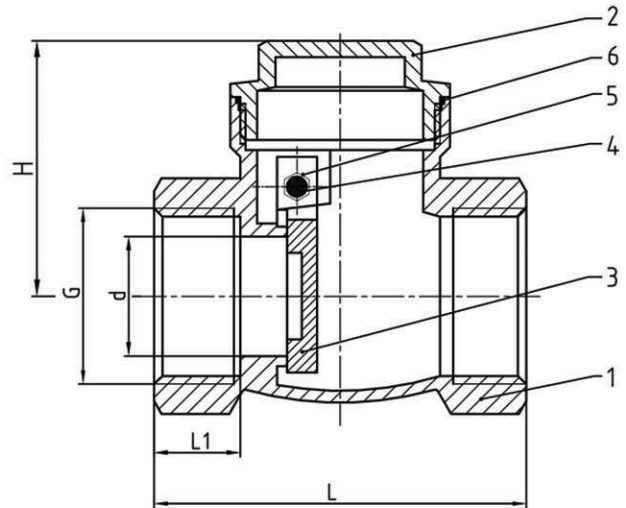


Brass Swing Check Valve, BSPT, Class 200 PSI

Model : BSW-S200



Specification Standards :

- Pipe thread end is according : ISO 228 (DIN 259)
BS 21 (JIS B0203)

Features :

- Screwed end BSPT/PP connection
- Forged brass
- The valve are designed to prevent reverse flow automatically
- Swing type disc

Application :

- For general and industrial services
- Applicable medium : water, light oil, & non-corrosive and non-combustible gas

Materials :

No.	Parts	Material
1	Body	Brass (HPB57-3)
2	Bonnet	Brass (HPB57-3)
3	Disc	Brass (HPB57-3)
4	Copper rod	Brass (HPB57-3)
5	Nut	Brass (HPB57-3)
6	Packing gland	Polysulfone

Test Requirements

Working Pressure	150 PSI (10 Bar)
Maximum Pressure	200 PSI (14 Bar)
Shell Test Pressure	300 PSI (21 Bar)
Applicable Temperature	-20 ~ 120 °C

Dimensions

mm

Size	1/2"	3/4"	1"	1-1/4"	1-1/2"	2"	2-1/2"	3"	4"
L	52.5	57	66	74	79.5	91.5	112	139	173
L1	15.5	12.5	14	15.5	16.5	19	19	20	26
d	13.5	18	24	27	35.5	41	53	66	90
H	35.5	39.5	45.5	53.5	58	63	79	87	106