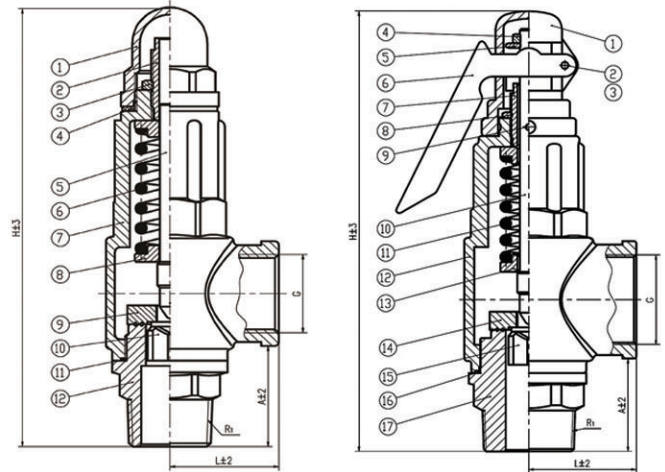


Brass Safety Valve, BSPT, Class 200 PSI

Model : BSV-VL, BSV-VNL, BSV-ML



Specification Standards :

- Design for durability
- Compact affordable alternative for air, steam, gas, water, oil, etc under 150 PSI
- Available in DN15 - DN50 inlets
- Ideal overpressure protection for steam boiler, sterilizers, distillers, cookers, piping system & unfired pressure vessels

Features :

- Screwed end BSPT connection
- Full port
- Screwed body cap
- Spring loaded
- Stainless steel spring

Application :

- For general and industrial services
- Applicable medium : water, oil, & non-corrosive and non-combustible gas, steam

Note :

- Material's table refer to the lever type
- Maximum working pressure 10 Bar

Materials :

No.	Parts	Material
1	Bonnet	C83600 (Brass)
2	Spindle	SS304
3	Ring pull	SS304
4	Nut	SS304
5	Fixed nut	CW617N (Brass)
6	Lever	SS304
7	Adjust screw	CW617N (Brass)
8	Fixed nut	CW617N (Brass)
9	Screw	SS304
10	Spindle	CW617N (Brass)
11	Spring	SS304
12	Body	C83600 (Brass)
13	Spring seat	CW617N (Brass)
14	Disc	Brass / VITON
15	Buffer	CW617N (Brass)
16	Gasket ring	PTFE
17	Seat	CW617N (Brass)

Dimensions

mm

Size	1/2"	3/4"	1"	1-1/4"	1-1/2"	2"	Test Requirements	
A	32	33.5	41.5	46.5	51	60	Working Pressure	150 PSI (10 Bar)
DN	15	20	25	32	40	50	Maximum Pressure	200 PSI (14 Bar)
H	159.5	169	199.5	216.5	243	283	Shell Test Pressure	300 PSI (21 Bar)
L	31	35	39.5	50	59	67	Applicable Temperature	<150 °C