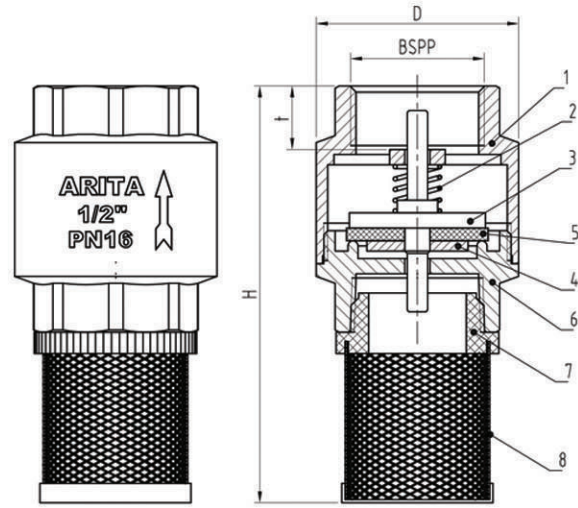


Brass Spring Check Foot Valve, BSPT

Model : BFT-S200



Specification Standards :

- Pipe thread end is according : ISO 228 (DIN 259) BS 21 (JIS B0203)

Features :

- Screwed end BSPT/PP connection
- Forged brass
- The valve are designed to prevent reverse flow automatically
- Spring in stainless steel
- Stem in brass
- Spring load type disc
- Filter in stainless steel

Application :

- For general and industrial services
- Applicable medium : water, light oil, & non-corrosive and non-combustible gas

Materials :

No.	Parts	Material
1	Body	Brass (HPB57-3)
2	Spring	Stainless steel
3	Piston	Brass (HPB57-3)
4	Spring-board	Brass (HPB57-3)
5	Seal gasket	NBR / EPDM
6	Bonnet	Brass (HPB57-3)
7	Bonnet	ABS
8	Filter	Stainless steel

Test Requirements

Working Pressure	150 PSI (10 Bar)
Maximum Pressure	200 PSI (14 Bar)
Shell Test Pressure	300 PSI (21 Bar)
Applicable Temperature	-20 ~ 80 °C

Dimensions

mm

Size	1/2"	3/4"	1"	1-1/4"	1-1/2"	2"	2-1/2"	3"	4"
D	33.5	40	45.5	57.5	67	80	97.5	111	140
H	75.5	85.5	99.5	110.5	128.5	145.5	170	186.5	223.5
PN	16	16	16	16	16	16	16	16	16
t	11.5	12.5	15	16	16	18	22.5	24.2	26