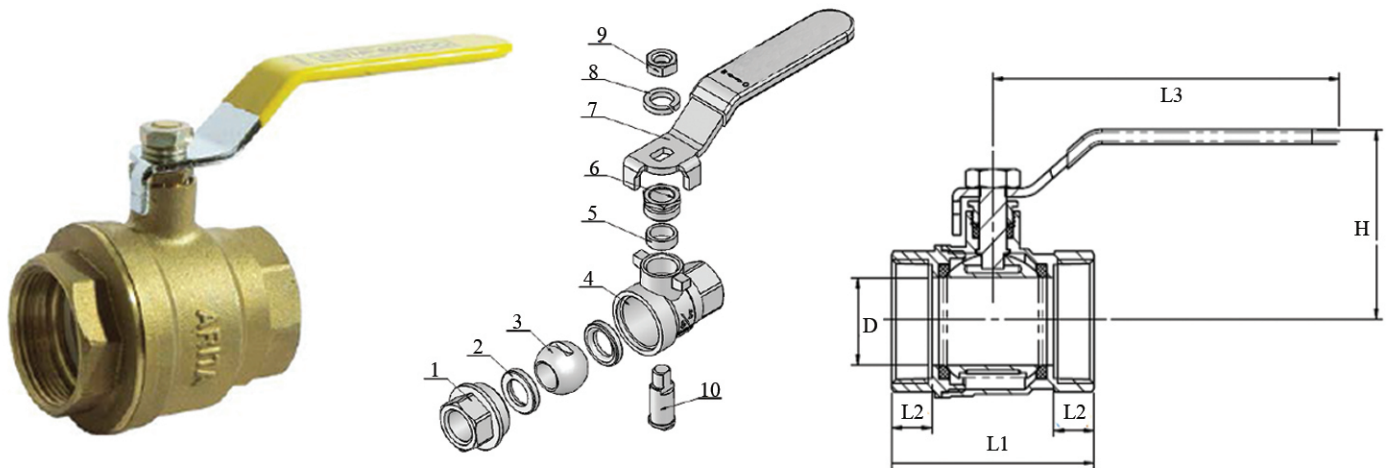


Full Bore Brass Ball Valve, BSPT, Class 600 PSI

Model : BBA-AF600



Specification Standards :

- Pipe thread end is according : ISO 228 (DIN 259)
BS 21 (JIS B0203)

Features :

- 2 piece body design, full port
- Screwed end BSPT/PP connection
- Forged brass
- Lever operation
- Available upon special request

Application :

- For general and industrial services
- Applicable medium : water, oil & gas

Materials :

No.	Parts	Material
1	Bonnet	Brass
2	Ball seat	PTFE
3	Ball	Brass
4	Body	Brass
5	Packing gland	PTFE
6	Packing nut	Brass
7	Handle	C.P. Steel
8	Gasket	Steel
9	Packing nut	N.P. Steel
10	Stem	Brass

*N.P. = Nickel plated, C.P. = Chrome plated

Test Requirements

Maximum Pressure	600 PSI (40 Bar)
Shell Test Pressure	900 PSI (60 Bar)
Applicable Temperature	< 150 °C

Dimensions

mm

Size	1/4"	3/8"	1/2"	3/4"	1"	1-1/4"	1-1/2"	2"
D	8	10	15	20	25	32	40	50
H	39	39	48	52	60.7	74.5	82.5	92.5
L1	42	43	54	63	72	82	94	114
L2	10.5	11	13.5	15.5	17.5	19	19	23.5
L3	89	89	98.5	98.5	125	140	140	165