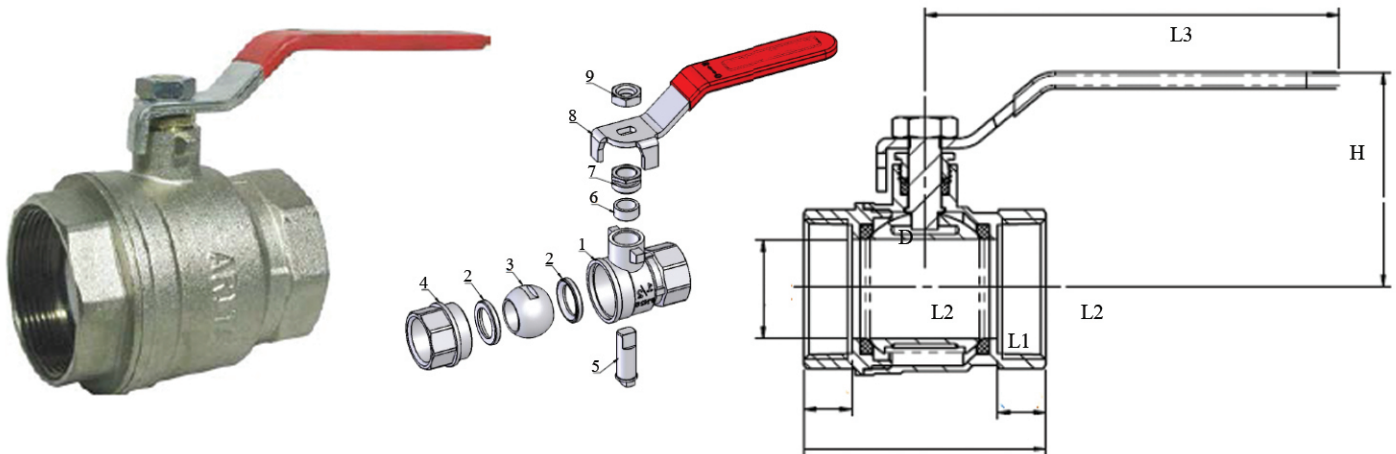


# Full Bore Brass Ball Valve, BSPT, Class 400 PSI

Model : BBA-AF400



### Specification Standards :

- Pipe thread end is according : ISO 228 ( DIN 259)  
BS 21 ( JIS B0203)

### Features :

- 2 piece body design, full port
- Screwed end BSPT/PP connection
- Forged brass
- Lever operation
- Available upon special request

### Application :

- For general and industrial services
- Applicable medium : water, oil & gas

### Materials :

No.	Parts	Material
1	Body	N.P. Forged brass
2	Ball seat	PTFE
3	Ball	C.P. Brass
4	Bonnet	N.P. Forged brass
5	Stem	Brass
6	Gland	PTFE
7	Packing nut	Brass
8	Handle	C.P. Steel
9	Handle nut	N.P. Steel

\*N.P. = Nickel plated, C.P. = Chrome plated

### Test Requirements

Maximum Pressure	400 PSI ( 25 Bar )
Shell Test Pressure	600 PSI ( 40 Bar )
Applicable Temperature	< 120 °C

### Dimensions

mm

Size	1/4"	3/8"	1/2"	3/4"	1"	1-1/4"	1-1/2"	2"	2-1/2"	3"	4"
D	8	10	15	20	25	32	40	50	65	80	100
H	39.7	40.7	47.8	50.5	60.5	65	80.5	92	115.5	124	135.5
L1	38	43	48	58	64	73	83	99	125	153	171
L2	9	10	12	14.5	14	14.5	15	17.5	23	29	29.5
L3	89	89	98.5	98.5	125	125	140	140	236	283	283