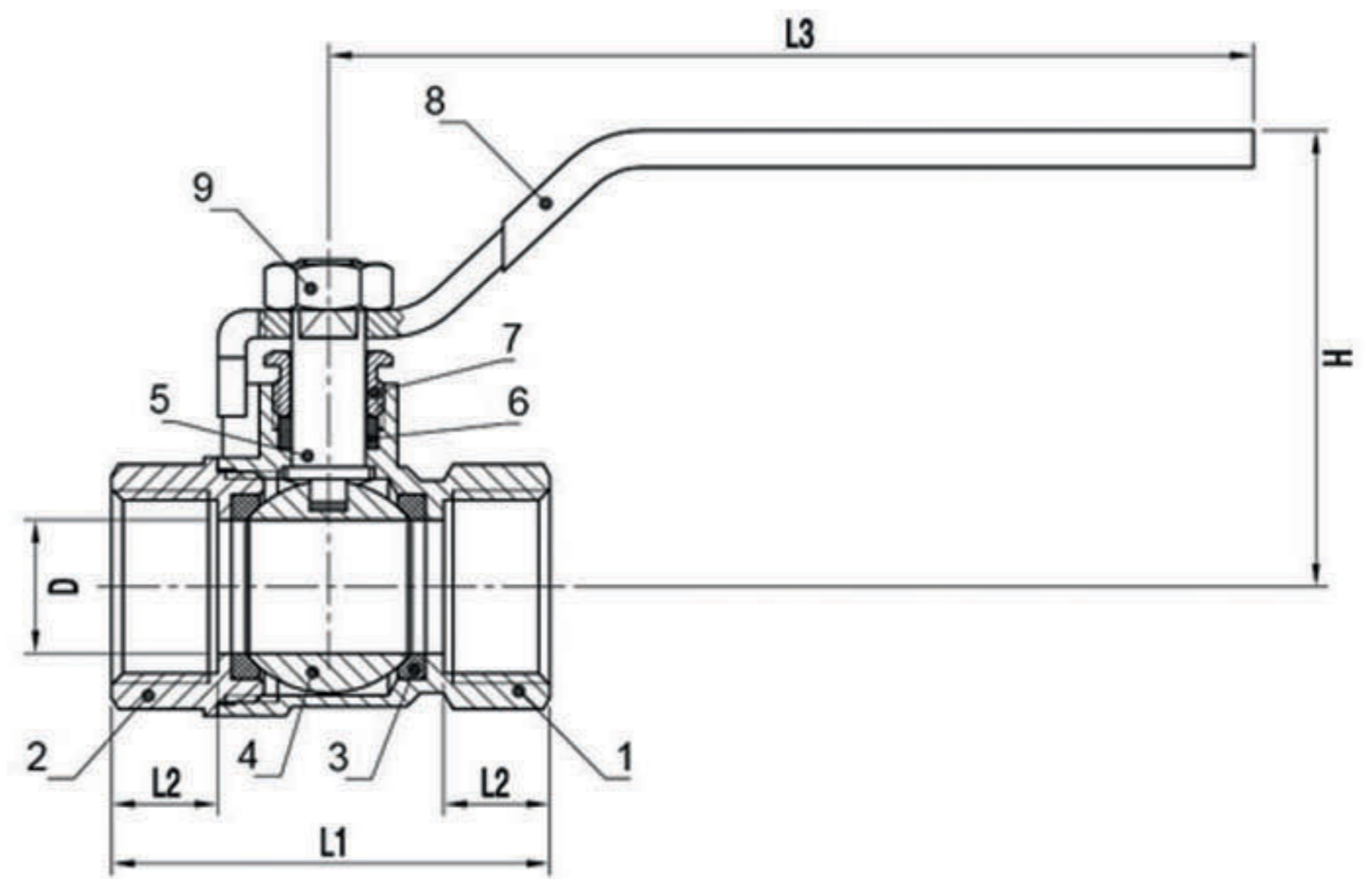


Full Bore Brass Ball Valve, BSPT, Class 200 PSI

Model : BBA-AF200



Specification Standards :

- Pipe thread end is according : ISO 228 (DIN 259) BS 21 (JIS B0203)

Features :

- 2 piece body design, Full Port
- Screwed end BSPT/PP connection
- Forged brass
- Lever operation
- Available upon special request

Application :

- For general and industrial services
- Applicable medium : water, oil & gas

Materials :

No.	Parts	Material
1	Body	Brass
2	Bonnet	Brass
3	Seat	Plastic
4	Ball	Iron
5	Stem	Iron
6	Packing gland	Plastic
7	Packing nut	Brass
8	Handle	Steel
9	Hexagonal nut	Steel

Test Requirements

Working pressure	200 PSI (14 Bar)
Maximum pressure	230 PSI (16 Bar)
Shell test pressure	300 PSI (20 Bar)
Applicable temperature	< 80 °C

*N.P. = Nickel plated, C.P. = Chrome plated

Dimensions

mm

Size	1/2"	3/4"	1"	1-1/4"	1-1/2"	2"
D	14.5	19	23	30	37	44
H	49	52.5	57.5	75	81.5	91.5
L1	47.5	53	63.5	77.5	79.5	98
L2	11.5	11.5	14	17	14.5	18.5
L3	100	100	110	140.5	163	159