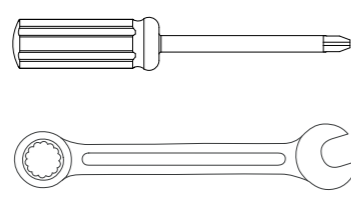
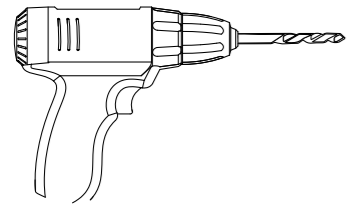
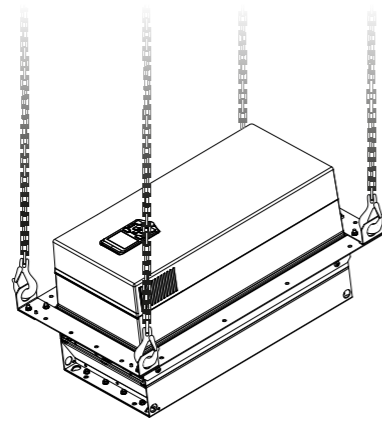
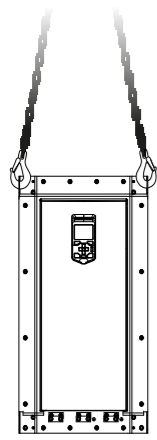


ACS880-01...+C135, ACS580-01...+C135, ACH580-01...+C135 and ACQ580-01...+C135 frames R6 to R9 and R9e flange mounting kit quick installation guide



T25, T30

10 mm

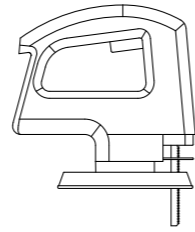
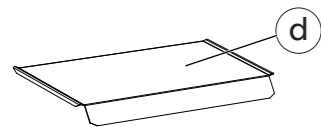
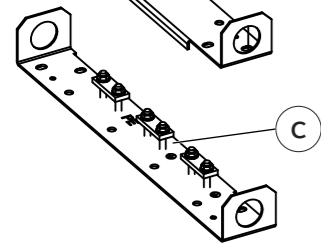
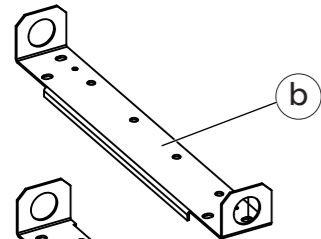
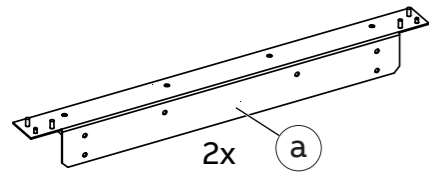
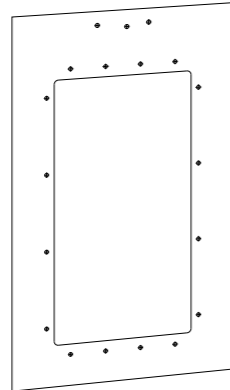
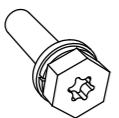
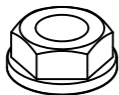


ABB parts

ACS880-01 option +C135
 ACS580-01, ACH580-01, ACQ580-01
 option with ordering codes:
 3AXD50000018852 (R6)
 3AXD50000018853 (R7)
 3AXD50000018854 (R8)
 3AXD50000018855 (R9)
 3AXD50001339777 (R9e)



11 × M6 nut



R6...R8:
 16 × M6×25 T25

R9:
 18 × M6×25 T25

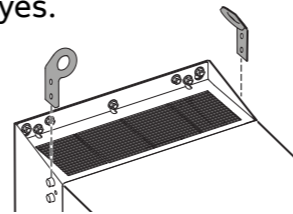
R9e:
 22 × M6×25 T25

R6...R9:
 12 × M6×10 T30

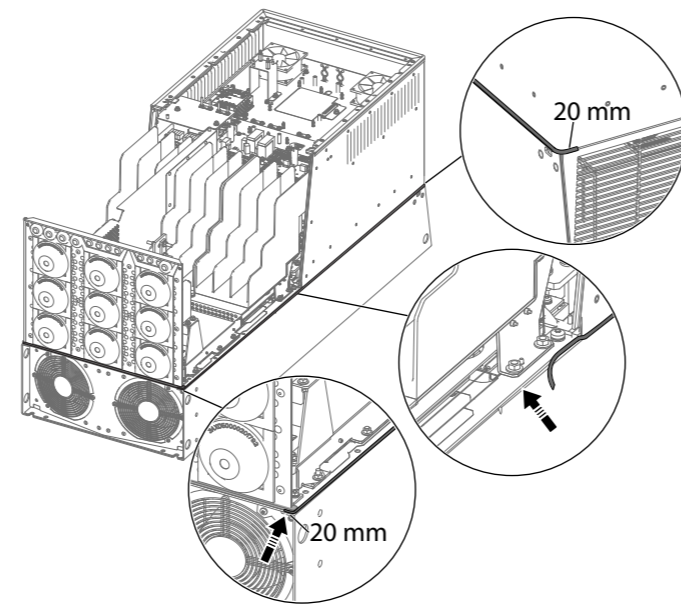
R9e:
 16 × M6×10 T30

R9e:

1. Remove the lifting eyes.

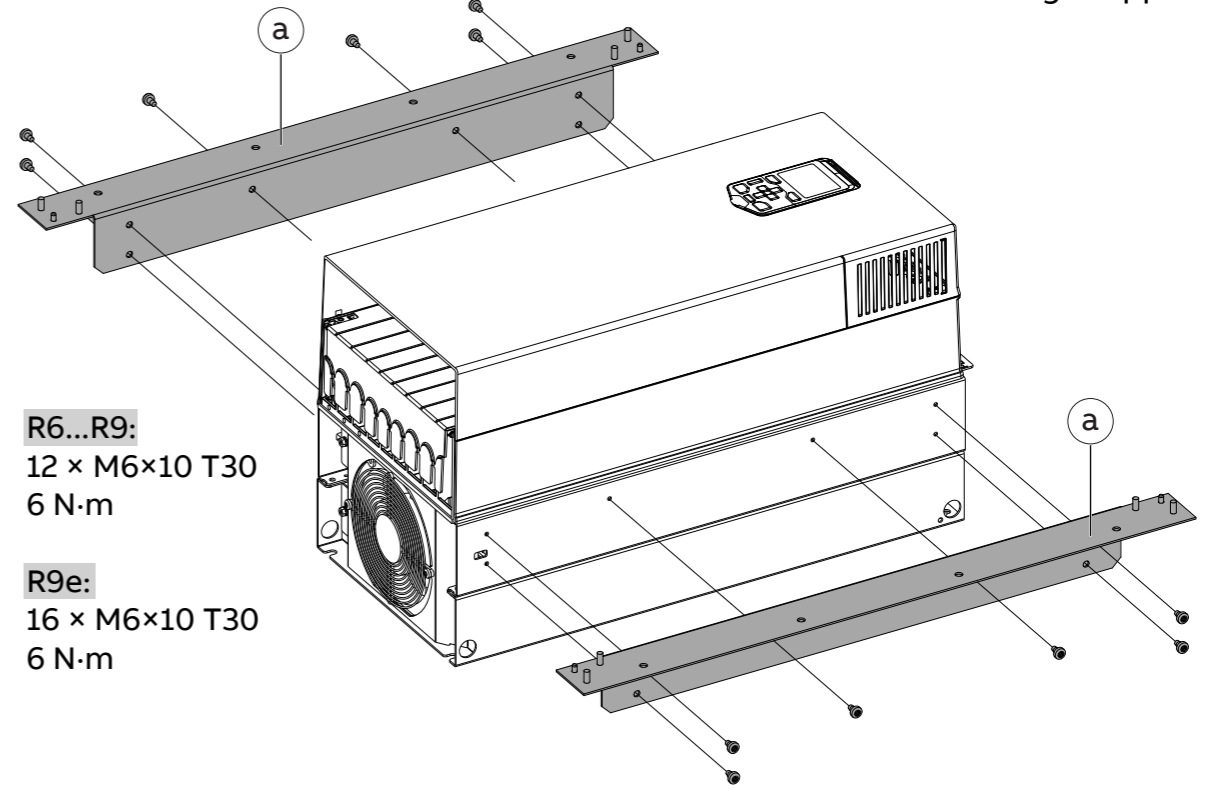


2. Install the sealing strips. Refer to the separate instruction delivered with the flange kit.



1

For optimized installation procedure, refer to flange supplement.

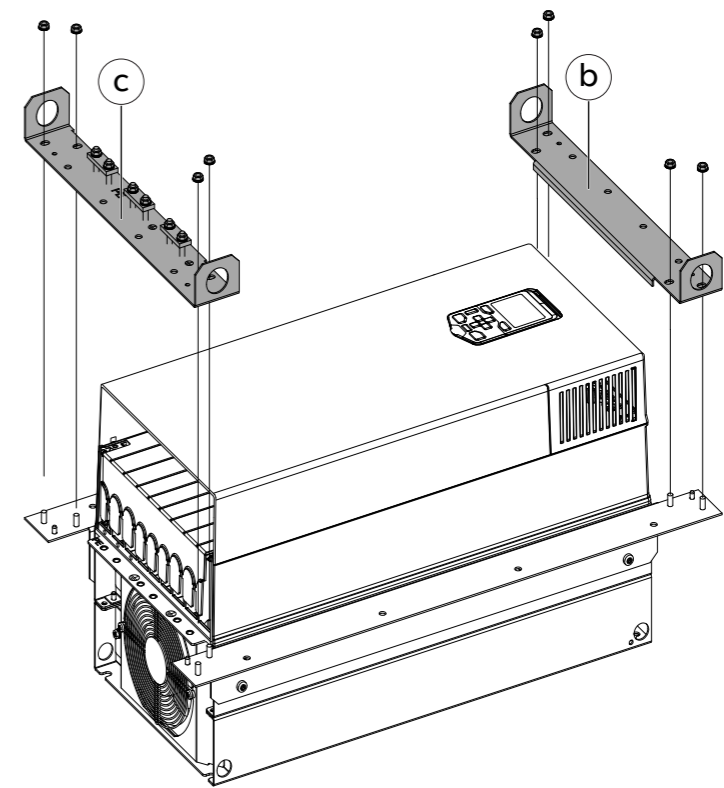


R6...R9:
 12 × M6×10 T30
 6 N·m

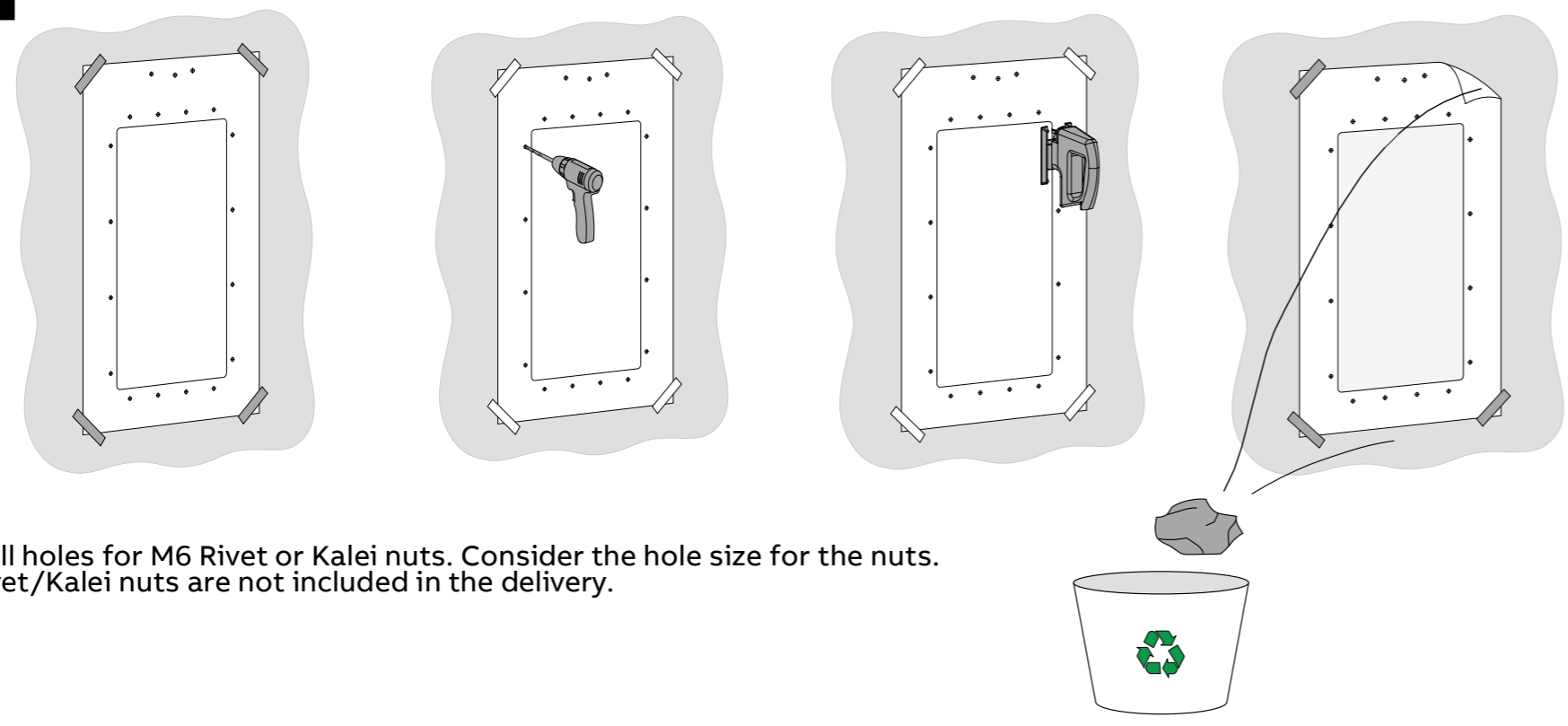
R9e:
 16 × M6×10 T30
 6 N·m

2

8 × M6 nut
 6 N·m

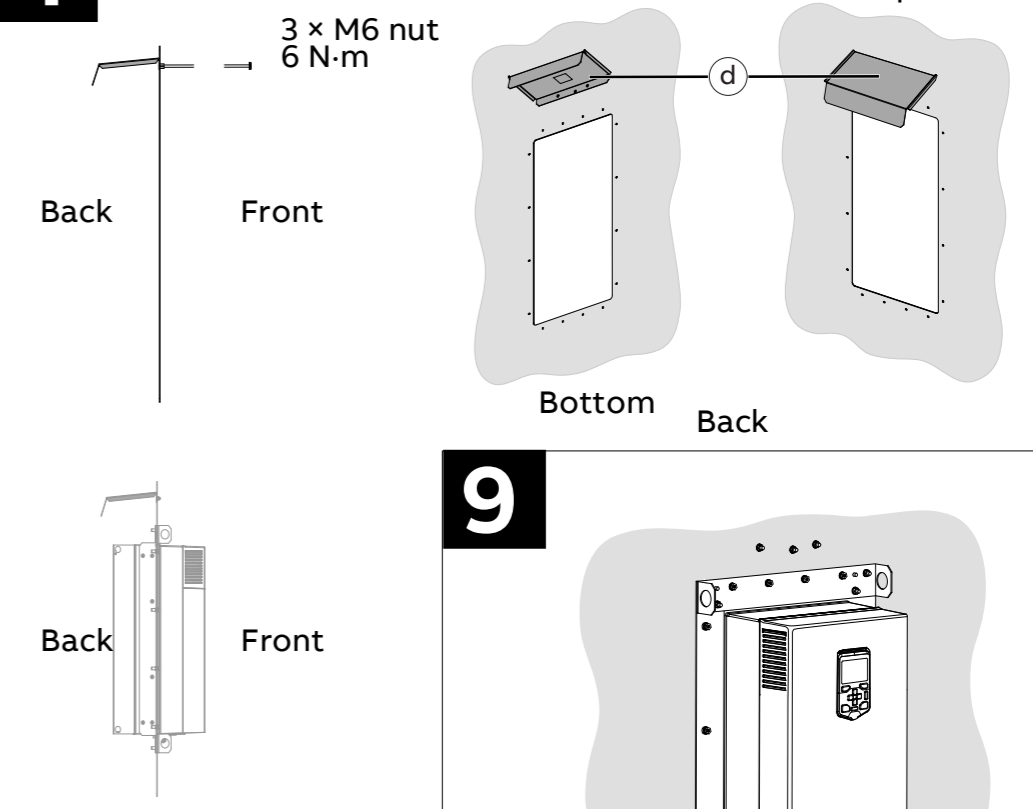


3

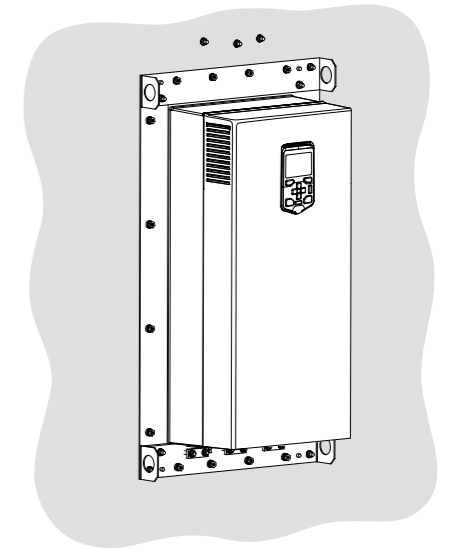


Drill holes for M6 Rivet or Kalei nuts. Consider the hole size for the nuts. Rivet/Kalei nuts are not included in the delivery.

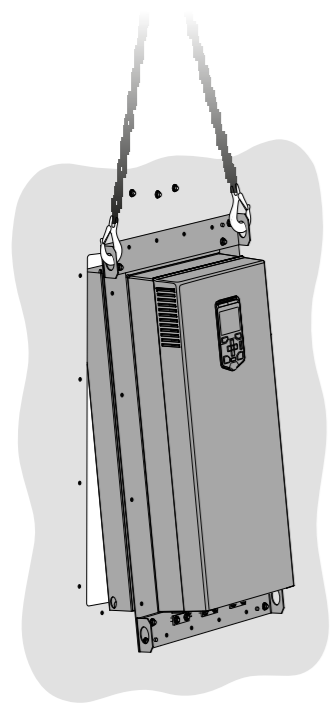
4



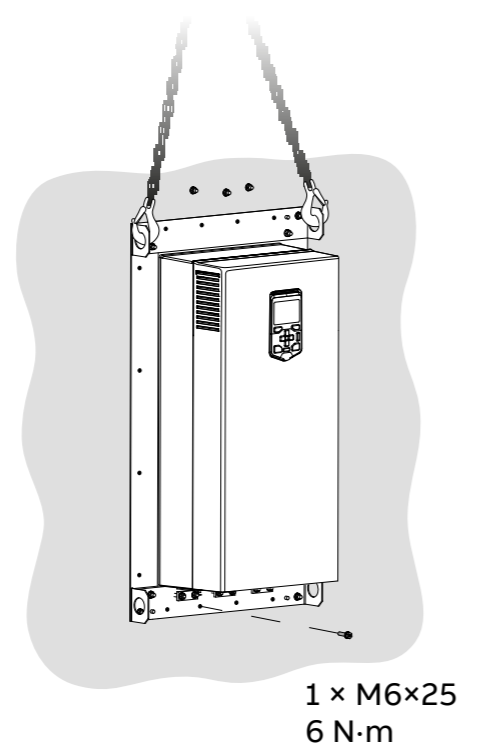
9



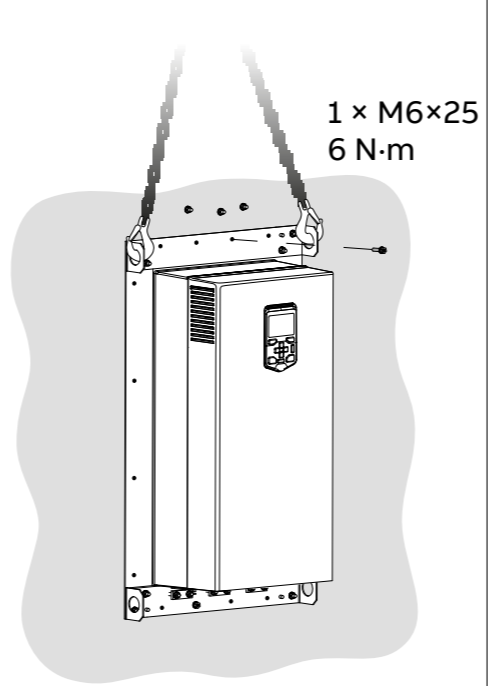
5



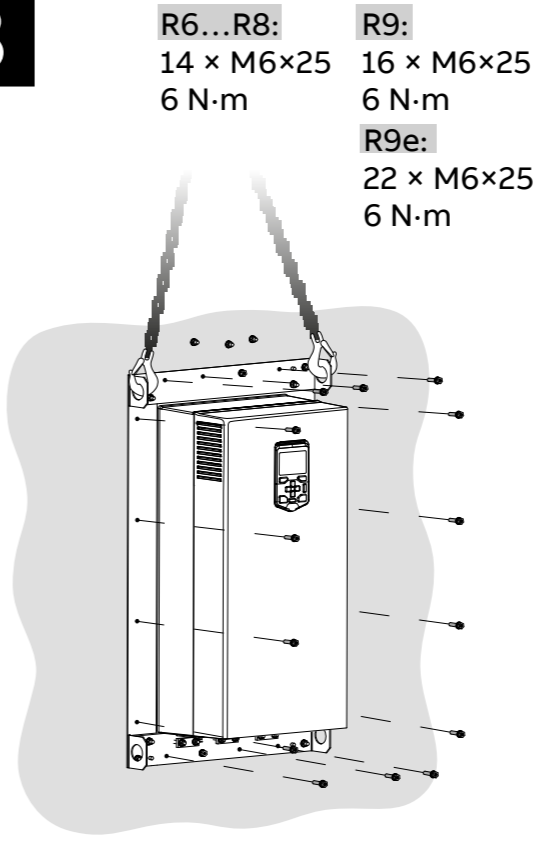
6



7



8



For dimensions, refer to the mounting template delivered with flange mounting kit or to

- ACS880-01...+C135 with flange mounting kit supplement (3AXD50000349814 [English])
- ACS580-01...+C135, ACH580-01...+C135 and ACQ580-01...+C135 drives with flange mounting kit supplement (3AXD50000019099 [English])

Go to <https://library.abb.com/>

