



— Simplify your life —  
**AV Access**

**4KSP14-D**

**4K HDMI Splitter 1x4**



**User Manual**



## Disclaimers

The information in this manual has been carefully checked and is believed to be accurate. AV Access Technology Limited assumes no responsibility for any infringements of patents or other rights of third parties which may result from its use.

AV Access Technology Limited assumes no responsibility for any inaccuracies that may be contained in this document. AV Access Technology Limited also makes no commitment to update or to keep current the information contained in this document.

AV Access Technology Limited reserves the right to make improvements to this document and/or product at any time and without notice.

## Copyright

Copy, Reproduce, Distribute and/or Edit of this document or part of it as well as utilization of its contents and communication thereof to others without express authorization are prohibited. Offenders will be held liable for payment of damages. All rights created by patent grant or registration of a utility model or design patent are reserved. Copyright ©2016 AV Access Technology Limited All rights reserved.

## Trademarks Notice

All products or service names mentioned in this document may be trademarks of the companies with which they are associated.

## Contact Us

Business inquiry: [services@avaccess.com](mailto:services@avaccess.com)

Technical problems: [support@avaccess.com](mailto:support@avaccess.com)

## **Important Safety Instructions**

- Do not expose this device to rain, moisture, dripping or splashing. No objects filled with liquids, such as vases, shall be placed on the device.
- Do not install or place this unit in a bookcase, built-in cabinet, or in another confined space. Ensure the unit is well ventilated.
- To prevent risk of electric shock or fire hazard due to overheating, do not obstruct the unit's ventilation openings with newspapers, tablecloths, curtains, or similar items.
- Do not install near any heat sources such as radiators, heat registers, stoves, or other devices (including amplifiers) that produce heat.
- Do not place sources of naked flames, such as lighted candles, on the unit.
- Clean this device only with dry cloth.
- Unplug this device during lightning storms or when unused for long periods of time.
- Protect the power cord from being walked on or pinched, particularly at plugs.
- Only use attachments/accessories specified by the manufacturer.
- Refer all servicing to qualified service personnel.

# Table of Contents

<b>Introduction.....</b>	<b>2</b>
Overview .....	2
Features .....	2
Package Contents.....	3
Panel.....	4
Front Panel.....	4
Rear Panel .....	5
<b>Installation and Application.....</b>	<b>6</b>
<b>Brackets Installation.....</b>	<b>6</b>
Brackets Installation.....	6
Steps to install the device in a suitable location.....	6
Application .....	7
<b>EDID Management .....</b>	<b>8</b>
<b>Specification .....</b>	<b>9</b>
<b>Trouble Shooting.....</b>	<b>10</b>
Steps of Regular Troubleshooting Routine.....	10
<b>Warranty .....</b>	<b>11</b>

# Introduction

## Overview

4KSP14-D is a 1x4 splitter for HDMI with Ultra HD 4K support. It reliably distributes one HDMI source signal to as many as four HDMI outputs.

It supports HDMI 1.4a specification features including data rates up to 10.2Gbps, 12-bit Deep Color, 3D, Lip Sync, and HD lossless Audio/Video formats.

It is an ideal choice for applications which require the distribution of an HDMI source signal to multiple outputs.

## Features

- Slim design, space saving
- Smart EDID management
- Standard 4 layers PCB design
- Supports HD resolutions up to 4K@30Hz
- Superior ESD protection

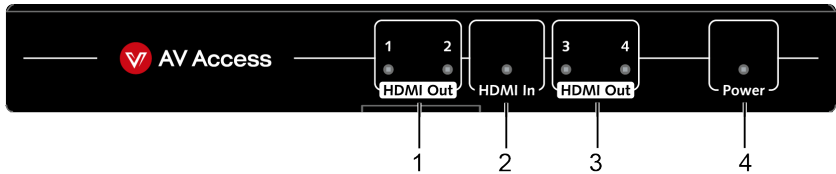
## Package Contents

Before you start the installation of the product, please check the package contents:

- Splitter 4KSP14-D x 1
- Power Adapter (DC 5V 1A) x 1
- Mounting Brackets (with Screws) x 2
- User Manual x 1

# Panel

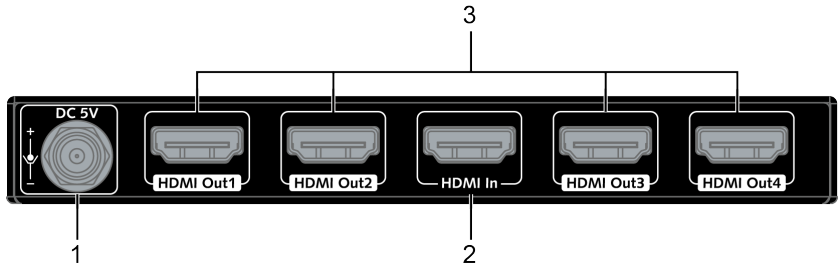
## Front Panel



ID	Name	Description
1	HDMI Out LED 1/2	<p><b>ON:</b> The corresponding numbered output is connected to a display device.</p> <p><b>OFF:</b> No display device is connected.</p>
2	HDMI In LED	<p><b>ON:</b> Both source device and display device are connected.</p> <p><b>OFF:</b> Only source is connected but no display device, or no source device is connected.</p>
3	HDMI Out LED 3/4	<p><b>ON:</b> The corresponding numbered output is connected to a display device.</p> <p><b>OFF:</b> No display device is connected.</p>
4	Power LED	<p><b>ON:</b> The splitter is on.</p> <p><b>OFF:</b> The splitter is off.</p>



## Rear Panel



ID	Name	Description
1	DC 5V	Connects to DC 5V 1A power adapter provided
2	HDMI In	Connects to an HDMI source device
3	HDMI Out1~4	Connects to HDMI display devices

# Installation and Application

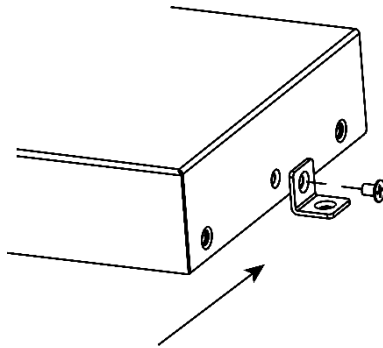
## Brackets Installation

### Brackets Installation

**Note:** Before installation, please ensure the device is disconnected from the power source.

#### Steps to install the device in a suitable location

1. Attach the installation bracket to the enclosure using the screw that were provided in the package separately. The bracket height can be adjusted up/down or bracket face up or down.
2. The bracket is attached to the enclosure as shown.

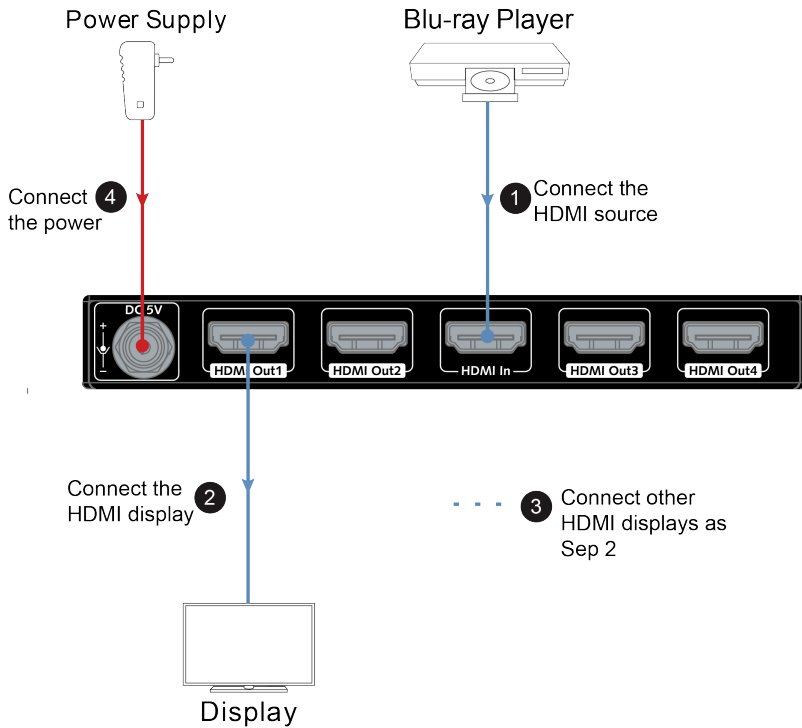


3. Repeat steps 1-2 for the other side of the unit.
4. Attach the brackets to the surface you want to hold the unit against using the screws (provided by others).

# Application

Please refer to the following steps to install.

**Note:** Please use the power adapter provided, otherwise the device may be damaged.



# EDID Management

When an HDMI video source boots up, it normally communicates with the output device using the EDID communication protocol based on the built in EDID information. The source device then produces a signal with the optimum resolution that is compatible with the output device.

The 4KSP14-D supports EDID mixing function. When connected to multiple monitors, the device will compare the EDID of all displays and output the minimum timing. E.g., when a 1080p and a 4k TV access at the same time, the output is 1080p.

**Note:** Please power cycle the device for changes to take effect after plugging or unplugging monitors.

# Specification

Technical	
Input/Output Signal Type	HDMI 1.4a, 3D, DVI 1.0, HDCP 1.4
Input/Output Resolution Supported	4096 x 2160@24Hz, 3840 x 2160@30Hz, 1920 x 1080@30/60Hz, 1280 x 720@60Hz, 720 x 576@30/60Hz, 640 x 480@30/60Hz
Audio Format	Stereo, PCM 2.0/5.1/7.1, Dolby True HD and DTS HD Master Audio
Maximum Data Rate	10.2Gbps
General	
Operating Temperature	0°C to 45°C (32°F to 113 °F)
Storage Temperature	-20°C to 70°C (-4°F to 158 °F)
Humidity	10% to 90%, non-condensing
Power Consumption (Maximum)	1080P: 1.4 W; 4K: 2W
Power Input	DC 5 V 1A
ESD Protection	±8kV (Air-gap discharge)/ ±4kV (Contact discharge)
Device Dimensions	6.56" x 0.71" x 2.58"/ 166mm x 18mm x 65.2mm
Product Weight	0.57lb/0.26kg

## Transmission Distance:

Cable Type	Range	Supported Video
HDMI	Input/Output: 15m/49ft	1080p@60Hz
	Input/Output: 10m/33ft	4K@30Hz

# Trouble Shooting

## Steps of Regular Troubleshooting Routine

- 1. Power:**
  - Please make sure all devices are powered on. (Source, splitter, display devices).
  - Please use the power adapter provided, otherwise the device may be damaged.
- 2. Indicator:** Please make sure LED indicators of the splitter are normal according to user manual.
- 3. Devices:** Please make sure picture can be shown normally when connecting source to display devices directly.
- 4. Cable:** Plug in and out the HDMI cable or change another HDMI cable. Please make sure the cable length is within the available transmission range according to Specification section.
- 5. Compatibility:** Please test other source and display devices to determine whether it is a compatibility issue.

# Warranty

Products are backed by a limited 1-year parts and labor warranty. For the following cases AV Access Technology Limited shall charge for the service(s) claimed for the products if the product is still remediable and the warranty card becomes unenforceable or inapplicable.

1. The original serial number (specified by AV Access Technology Limited) labeled on the product has been removed, erased, replaced, defaced or is illegible.
2. The warranty has expired.
3. The defects are caused by the fact that the product is repaired, dismantled or altered by anyone that is not from an AV Access Technology Limited authorized service partner. The defects are caused by the fact that the product is used or handled improperly, roughly or not as instructed in the applicable User Guide.
4. The defects are caused by any force majeure including but not limited to accidents, fire, earthquake, lightning, tsunami and war.
5. The service, configuration and gifts promised by salesman only but not covered by normal contract.
6. AV Access Technology Limited preserves the right for interpretation of these cases above and to make changes to them at any time without notice.

Thank you for choosing products from AV Access.



**AV Access** — *Simplify your life* —

---

AV Access Technology Limited

V1.0.5