

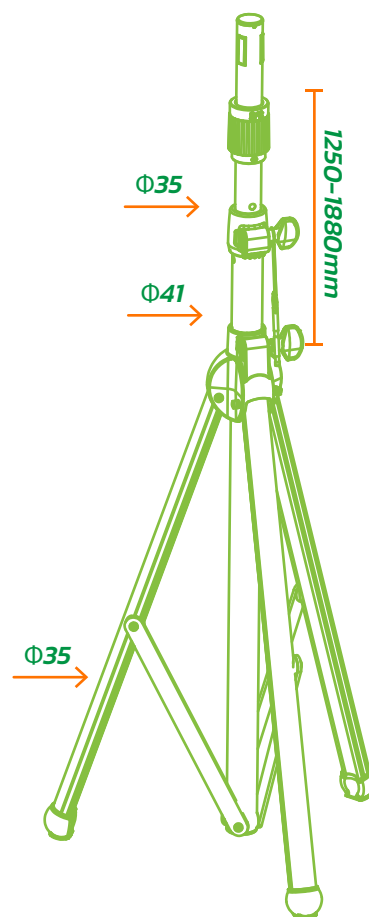


The MAIER MSTS-TP1750A Speaker stand supports PA Loudspeaker, suit every usage professional quality standard-size pole with a diameter of 35 mm and is compatible with various loudspeaker pole sockets.

- Product type: Speaker stand.
- The die cast aluminium leg, Lightweight construction.
- The height-adjustable tripod speaker stands have a locking clutch knob and safety pin.
- Upper mounting lock ensures the speaker fits.
- Tripod base folds down for ease of storage.
- Length adjustable: 1250-1880mm
- Max. load: 50kgs.

SPECIFICATIONS

Product	MSTS-TP1750A
Product type	Speaker Stand
Tubing material	Steel
Base material Leg joint	Aluminium
Tubing color	Black
Min height	1250mm
Max height	1880mm
Main rod diameter	Ø41mm
Tube end	Ø35mm
Max. load	50kgs
Weight	3kgs



Verification of compliance : RoHS