

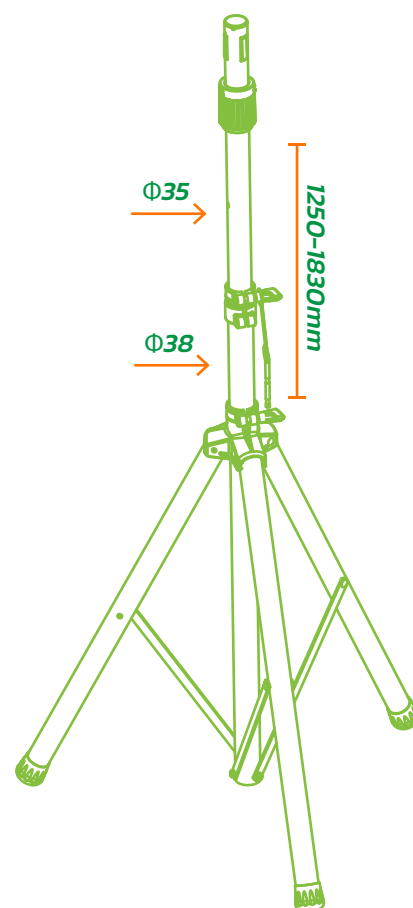


The MAIER MSTS-TP1690 Speaker stand supports PA Loudspeaker, suit every usage professional quality standard-size pole with a diameter of 35 mm and is compatible with various loudspeaker pole sockets.

- Product type: Speaker stand.
- The height-adjustable tripod speaker stands have a locking clutch knob and safety pin.
- Upper pole mounting lock ensures the speaker fits.
- Tripod base folds down for ease of storage.
- Length adjustable: 1250-1830mm
- Max. load: 45kgs.

### SPECIFICATIONS

Product	MSTS-TP1690
Product type	Speaker Stand
Tubing material	Steel
Tubing color	Black
Min height	1250mm
Max height	1830mm
Main rod diameter	Ø38mm
Tube end	Ø35mm
Max. load	45kgs
Weight	3.5kgs



Verification of compliance : RoHS