



CCS-580 SERIES

Digital Conference System
Clear sound & Support 60 units
with Digital Anti Feedback

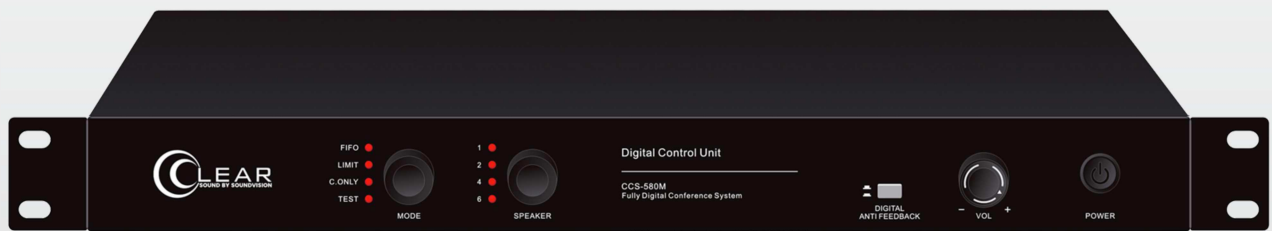
CCS-580 SERIES DIGITAL CONFERENCE

Supports multiple meeting for :

- Corporate meeting Rooms.
- Government meeting room & City Council Meeting.
- Education institutions.
- Courtrooms.
- Non-profit organizations.

CCS-580M

Digital Central **Controller Unit** Digital anti feedback function on/off switch on the panel.



CCS-580C
Digital Discussion
Chairman Unit

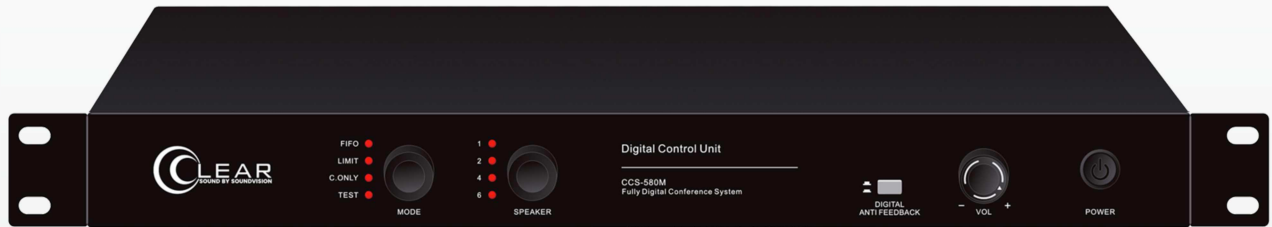


CCS-580D
Digital Discussion
Delegate Unit



CCS-580M

Digital Central Controller Unit Digital anti feedback function on/off switch on the panel.



FEATURE

- Digital conference system.
- Easy to control meeting mode and the number of speakers by the knobs on the panel.
- The LED indicator light display working mode and allowed speaking number.
- The microphone can open at same time : 1, 2, 4, and 6.
- The CCS-580M can support 60 microphone units. And can able to support extend power connect microphone up to 255 units.
- Easy Increase volume or Decrease volume by knob Volume on the panel.
- Digital anti feedback function on/off switch on the panel.
- Equipped with audio parallel output and a 6.3 jack output, conference recording outputs and background music inputs interface.
- Four operational microphone modes:
 1. FIFO mode
 2. LIMIT mode
 3. CHAIRMAN ONLY mode
 4. TEST mode

SPECIFICATIONS

Power Supply	AC 100-240V
Max Power Consumption	120W
Frequency response	30Hz-18kHz
Input impedance	LINE:50KΩ DIN:50KΩ
Output impedance	RECORD :200Ω LINE :200Ω BALANCE: 300Ω UNBALANCE: 400Ω
Signal to Noise Ratio	> 100dB @ 1KHz
Total Harmonic Distortion Ratio	< 1 % @ 1kHz
Operation temperature	-20°C ~ 70°C
Storage temperature	-30°C ~ 80°C
Color	Black
Dimensions	420x44x220 mm
Weight	3.5 Kg
Set	19 inches racks



CCS-580C

Digital Discussion Chairman Unit



Chairman Unit

FEATURE

- Digital audio for good sound quality.
- Built-in hi-fi loudspeaker and pluggable microphone.
- Removeable gooseneck microphone with light ring indicator on microphone stem, light up red when microphone turn on.
- High sensitivity microphone.
- Good ability for resistance to Mobile interference.
- Chairman priority key ; could shut all the delegate unit.
- The chairman unit can be placed in any position in loop.
- The chairman unit quantity is unrestricted in the loop.
- The chairman unit is unrestricted by the limiting function.
- Speaking button and indicator lamp that can show and control the state of speech.
- Two groups of 3.5mm stereo sound output socket; can be used as speech sound input and earphone connection.
- Rotary volume control for adjusting built-in loudspeaker or headphone volume (when headphone connect).
- Daisy-Chain connection.
- Connecting cable 2.1m, 8P core line, convenient installation can increase efficiency.
- The power for units is supplied by the master controller.
- Reduce sound impact and wind shield.
- Metal microphone shell bottom.

SPECIFICATIONS

Power Supply	DC 9V by Control unit
Power Consumption	80mA
Interface Type	8P-DIN
Earphone Output	3.5mm stereo jack
Installation	Desktop
Input Impedance	1 K Ω
Connection Mode	Daisy-Chain
Crosstalk Attenuation	>60 dB
Speaker Power	2W
Microphone Type	Condenser
Polar pattern	Ultra Cardioid
Frequency response	50Hz-17kHz
Signal-to-Noise Ratio	68dB(A-Wieght)
Sensitivity	-43 dBV/Pa
Length of Microphone	500mm
Color	Iron gray
Dimensions	W163xH60xD125 mm
Weight	800g

CCS-580D

Digital Discussion Delegate Unit



Delegate Unit

FEATURE

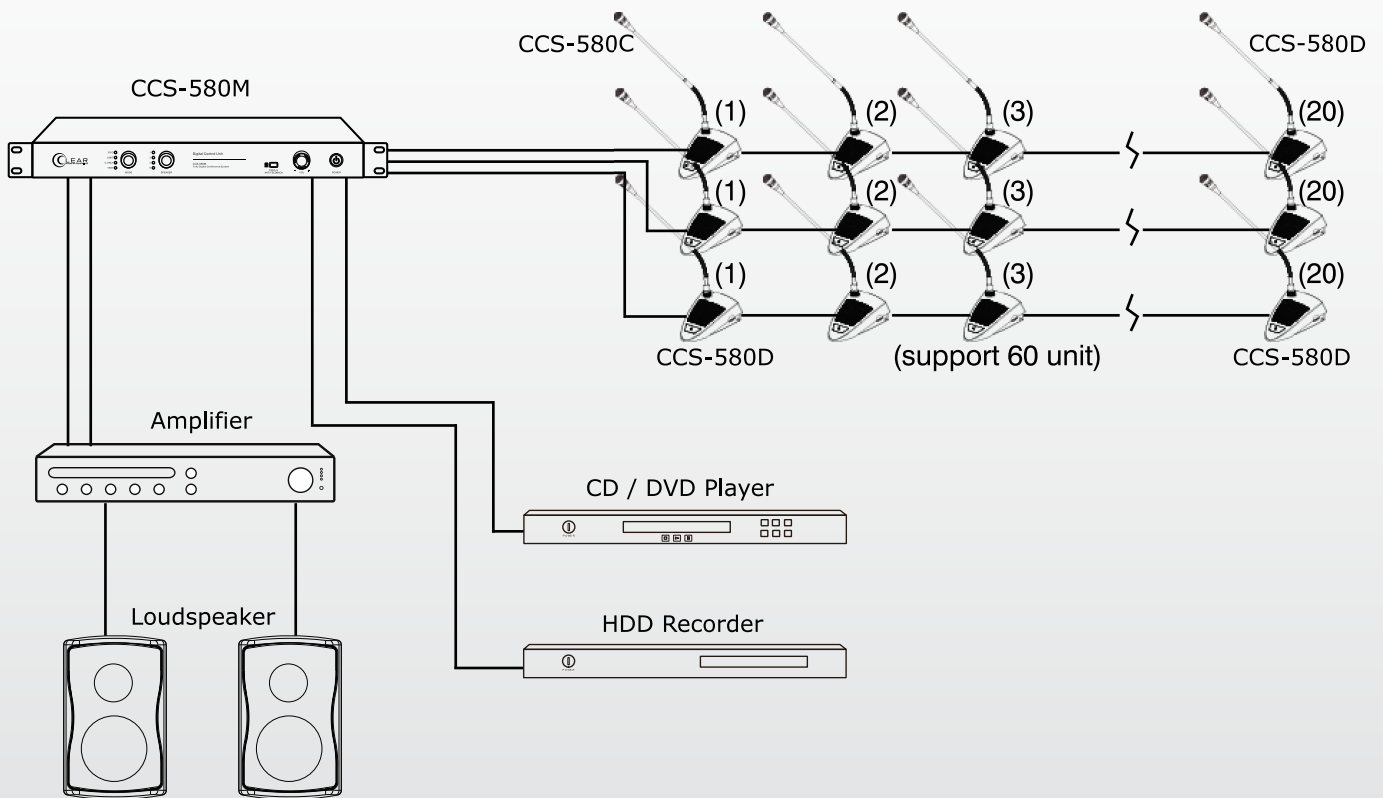
- Digital audio for good sound quality.
- Built-in hi-fi loudspeaker and pluggable microphone.
- Removeable gooseneck microphone with light ring indicator on microphone stem, light up red when microphone turn on.
- High sensitivity microphone.
- Good ability for resistance to Mobile interference.
- Speaking button and indicator lamp that can show and control the state of speech.
- Two groups of 3.5mm stereo sound output socket; can be used as speech sound input and earphone connection.
- Rotary volume control for adjusting built-in loudspeaker or headphone volume (when headphone connect).
- Daisy-Chain connection.
- Connecting cable 2.1m, 8P core line, convenient installation can increase efficiency.
- The power for units is supplied by the master controller.
- Reduce sound impact and wind shield.
- Metal microphone shell bottom.

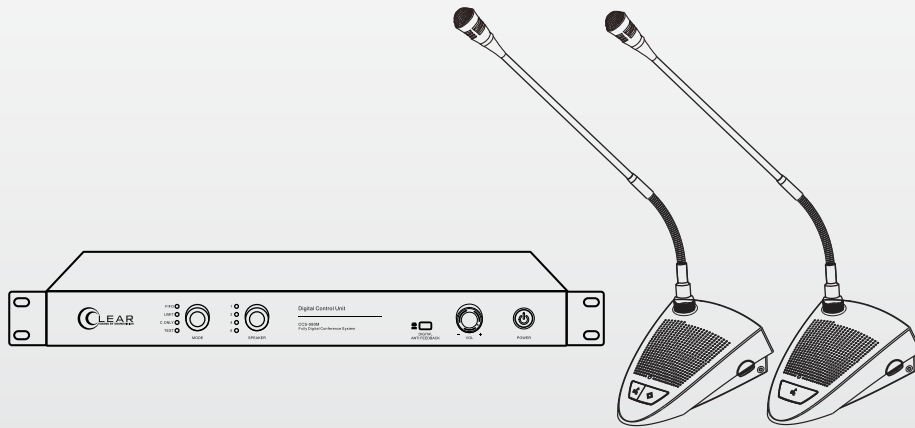
SPECIFICATIONS

Power Supply	DC 9V by Control unit
Power Consumption	80mA
Interface Type	8P-DIN
Earphone Output	3.5mm stereo jack
Installation	Desktop
Input Impedance	1 K Ω
Connection Mode	Daisy-Chain
Crosstalk Attenuation	>60 dB
Speaker Power	2W
Microphone Type	Condenser
Polar pattern	Ultra Cardioid
Frequency response	50Hz-17kHz
Signal-to-Noise Ratio	68dB(A-Wieght)
Sensitivity	-43 dBV/Pa
Length of Microphone	500mm
Color	Iron gray
Dimensions	W163xH60xD125 mm
Weight	800g

CCS-580 SERIES

DIAGRAM



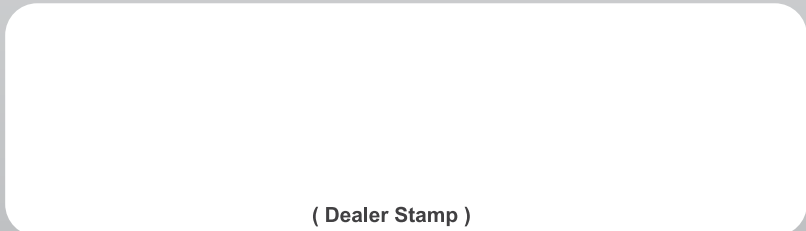


Represented by:

THAILAND:

SOUND VISION CO., LTD.
90 Soi Jaran Sanitwong, 49/1 Jaran Sanitwong Rd,
Bangbunru, Bangplad, Bangkok 10700
TEL: 02-001-6147
EMAIL: info@soundvision.co.th
WEBSITE: www.soundvision.co.th

©2014-2015 SOUND VISION CO., LTD. | Data subject to change without notice.



(Dealer Stamp)