

# Tiandy



## TC-C35KS Spec: I3/E/Y/M/H/2.8mm/V4.0 5MP Starlight IR Dome Camera



Pro Series

### KEY FEATURES

- Full Metal Housing
- Up to 2592x1944@30fps, 1920x1080@60fps
- S+265/H.265/H.264/M-JPEG
- Min. illumination Color: 0.002Lux@F1.6
- Smart IR, IR Range: 30m
- Support Video Analytics
- Support Human/Vehicle Classification
- Support Face Capture Mode
- Built-in Mic, audio I/O 1/1, alarm I/O 1/1
- Plugin Free
- Operating Conditions -40°C~65°C, 0~95% RH
- POE, IP67, IK10



**Tiandy Technologies Co.,Ltd.**

Email: [sales@tiandy.com](mailto:sales@tiandy.com)  
Website: [en.tiandy.com](http://en.tiandy.com)

Tel: +86-22-58596178  
Fax: +86-22-58596048



## SPECIFICATIONS

Camera	
Image Sensor	1/2.8" CMOS
Signal System	PAL/NTSC
Min. Illumination	Color: 0.002Lux@ (F1.6, AGC ON), B/W: 0Lux with IR
Shutter Time	1s to 1/100,000s
Day & Night	Dual IR Cut Filter with Auto Switch
Wide Dynamic Range	120dB
Angle Adjustment	pan 0~330°, tilt 0~75°, roate 0~350°
Lens	
Lens Type	Fixed
Focus	2.8mm
Lens Mount	M12
Aperture	F1.6, Fixed
FOV	Horizontal field of view: 95.6°
Illuminator	
IR LEDs	8
IR Range	Up to 30m
Wavelength	850nm
White/Warmlight LEDs	N/A
Compression Standard	
Video Compression	S+265/H.265/H.264/M-JPEG
Video Bit Rate	32Kbps~16Mbps
Audio Compression	G.711A/G.711U/ADPCM/AAC
Audio Bit Rate	8K~48Kbps
Image	
Max. Resolution	2592×1944
Main Stream	PAL: 25fps (2592×1944, 2592×1520, 2560×1440, 2304×1296), 50fps (1920×1080, 1280×720) NTSC: 30fps (2592×1944, 2592×1520, 2560×1440, 2304×1296), 60fps (1920×1080, 1280×720)
Sub Stream	PAL: 25fps (704×576, 704×288, 640×360, 352×288) NTSC: 30fps (704×480, 704×240, 640×360, 352×240)
Third Stream	PAL: 25fps(1920×1080, 1280×720, 704×576, 704×288, 640×360, 352×288) NTSC: 30fps(1920×1080, 1280×720, 704×480, 704×240, 640×360, 352×240)
Image Setting	Saturation, brightness, contrast, sharpness, adjustable by client software or web browser
Image Enhancement	BLC/3D DNR/HLC/Corridor Format
ROI	Support 8 fixed regions of coding
OSD	16×16, 32×32, 48×48, 64×64, adaptable size, Letters Such as Week, Date, Time, Total 8 Regions
Picture Overlay	Yes
Privacy Mask	Yes, 4 regions
Smart Defog	Yes
Feature	
Alarm Trigger	Event Input, Event Output, Motion Detection, Mask Alarm, Disk Full, Disk R/W Error, IP Address Conflict, MAC Address Conflict, FTP Server Exception, Voltage Abnormal
Video Analytics	Tripwire, Double Tripwire, Perimeter, Object Abandon, Object Lost, Loitering, Running, Parking, Crowded, People Counting, Crowded, On Duty Detection, Video Abnormal, Audio Abnormal, Heatmap, Face Capture(Face Detection), Safety Helmet Detection, Human/Vehicle Classification
Early Warning(EW)	N/A



Network	
ANR	N/A
Protocols	TCP/IP, ICMP, HTTP, HTTPS, DHCP, DNS, DDNS, RTP, RTSP, RTCP, PPPoE, MULTICAST, UPnP, FTP, IPV4, NTP, SMTP, IGMP, 802.1x, QoS, IPV6, ARP, UDP, SNMP, SSL, Telnet, SNTP, RTMP, SFTP, NFS
System Compatibility	ONVIF (PROFILE S/T/G), SDK, Milestone, CGI, P2P
Remote Connection	≤7
Client	Easy7, EasyLive
Web Version	Web6
Interface	
Communication Interface	1 RJ45 10M/ 100M self adaptive Ethernet port
Audio	1/1, Mic in
Alarm	1/1
Reset Button	Yes
On-board storage	Built-in Micro SD card slot, up to 512 GB
General	
Firmware Version	-
Web Client Language	15 languages English, Russian, Spanish, Korean, Italian, Turkish, Simple Chinese, Traditional Chinese, Thai, French, Polish, Dutch, Hebraism, Arabic, Vietnamese
Operating Conditions	-40°C ~ 65°C, 0 ~ 95% RH
Power Supply	DC12V±25%/PoE
Power Consumption	MAX: 5W (12V) MAX: 6W (PoE)
Protection	IP67, IK10, Lightning protection, surge protection and voltage transient protection meets EN 55035:2017
Heater	N/A
Dimensions	Φ120×90mm (Φ4.72×3.54inch)
Weight	0.45Kg (0.99lb)

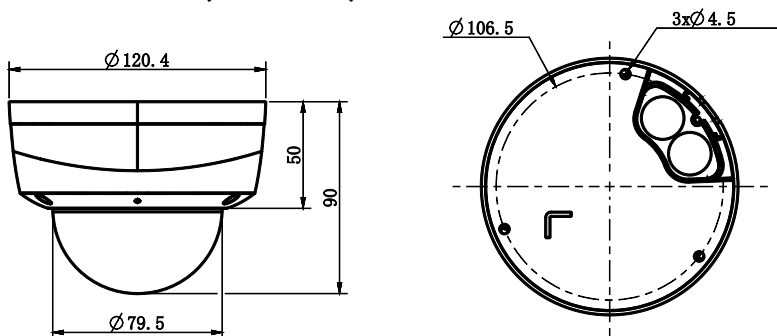
\* Listed resolutions are only selectable options. It does not mean that all streams can work at their maximum resolution at the same time.

## AVAILABLE MODEL

### TC-C35KS SPEC: I3/E/Y/M/H/2.8MM/V4.0

# Tiandy

## DIMENSIONS (Unit: mm)



## ACCESSORIES



A36  
Pole Mount



A35  
Corner Mount



811  
Junction Box



A29  
Wall Mount



A25  
Corner/Pole Mount



A20  
Pendant Mount

DISTRIBUTED BY



**Tiandy Technologies Co.,Ltd.**

Email: [sales@tiandy.com](mailto:sales@tiandy.com)

Tel: +86-22-58596178

Website: [en.tiandy.com](http://en.tiandy.com)

Fax: +86-22-58596048