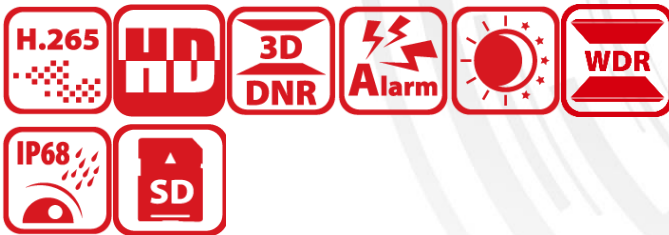


DS-2DF4420-DX(S6)(C) 4-inch 20 × Explosion-proof Network Speed Dome



ATEX:

Ex II 2GD Ex db IIC T6 Gb
Ex tb IIIC T80 °C Db

IECEX:

Ex db IIC T6 Gb
Ex tb IIIC T80 °C Db

- Certificate No.: ATEX: SEV 20 ATEX 0415 X; IECEX: IECEX NEP 20.0018X
- 4 MP 1/2.8" progressive scan CMOS
- Supports H.265 video compression
- 20 × optical zoom, focal length 4.8 mm to 96 mm
- 304 stainless steel
- 120 dB WDR, 3D DNR
- High quality imaging with high-performance sensor

▪ DORI

The DORI (detect, observe, recognize, identify) distance gives the general idea of the camera ability to distinguish persons or objects within its field of view. It is calculated based on the camera sensor specification and the criteria given by EN 62676-4: 2015.

DORI	Detect	Observe	Recognize	Identify
Definition	25 px/m	63 px/m	125 px/m	250 px/m
Distance (Tele)	1280 m (4198.4 ft)	507.9 m (1665.9 ft)	256 m (839.68 ft)	128 m (419.84 ft)

▪ Specification

Camera	
Image Sensor	1/2.8" Progressive Scan CMOS
Min. Illumination	Color: 0.005 Lux @ (F1.6, AGC ON), B/W: 0.001 Lux @ (F1.6, AGC ON)
Shutter Speed	1/1 s to 1/30,000 s
Slow Shutter	yes
Day & Night	IR cut filter
HLC	yes
3D DNR	yes
White Balance	auto, ATW, sodium lamp, fluorescent lamp, indoor, outdoor, MWB, Locked WB
Zoom	20 × optical, 16 × digital
Max. Resolution	2560 × 1440
Lens	
Focus	Auto, semi-auto, manual
Focal Length	4.8 to 96 mm
Zoom Speed	Approx. 2.9 s
FOV	Horizontal field of view: 55° to 2.6°, vertical field of view: 30.6° to 1.5°, diagonal field of view: 60.5° to 3.0°
Aperture	F1.6
PTZ	
Movement Range (Pan)	360° endless
Movement Range (Tilt)	0° to 90°, auto flip
Pan Speed	Pan speed: configurable from 0.1° to 160°/s, preset speed: 160°/s
Tilt Speed	Tilt speed: configurable from 0.1° to 120°/s, preset speed 120°/s
Proportional Pan	Yes
Presets	300
Patrol Scan	8 patrols, up to 32 presets for each patrol
Pattern Scan	4 pattern scans, record time over 10 minutes for each scan
Power-off Memory	Yes
Park Action	Preset, pattern scan, patrol scan, auto scan, tilt scan, random scan, frame scan, panorama scan
3D Positioning	Yes
PTZ Status Display	Yes
Preset Freezing	Yes
Scheduled Task	Preset, pattern scan, patrol scan, auto scan, tilt scan, random scan, frame scan, panorama scan, dome reboot, dome adjust, aux output

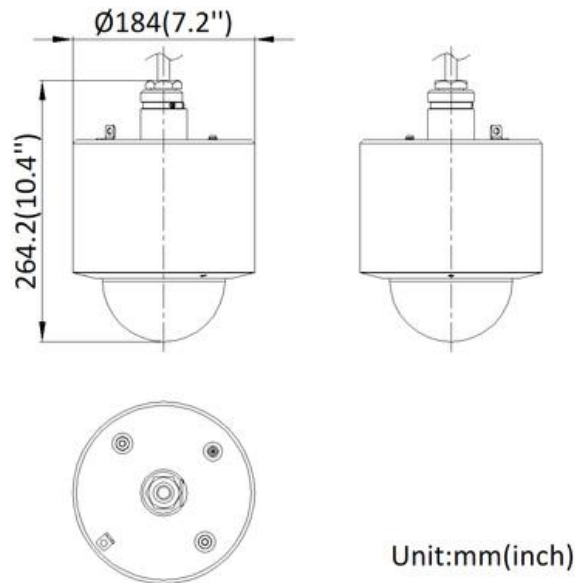
Exception Detection	IP address conflict, HDD full, illegal login, HDD error, network disconnected
Video	
Stream Type	main stream, sub-stream, third stream
Main Stream	50 Hz: 25 fps (2560 × 1440, 1920 × 1080, 1280 × 960, 1280 × 720) 60 Hz: 30 fps (2560 × 1440, 1920 × 1080, 1280 × 960, 1280 × 720)
Sub-Stream	50 Hz: 25 fps (704 × 576, 640 × 480, 352 × 288) 60 Hz: 30 fps (704 × 480, 640 × 480, 352 × 240)
Third Stream	50 Hz: 25 fps (1920 × 1080, 1280 × 960, 1280 × 720, 704 × 576, 640 × 480, 352 × 288) 60 Hz: 30 fps (1920 × 1080, 1280 × 960, 1280 × 720, 704 × 480, 640 × 480, 352 × 240)
Video Bit Rate	32 Kbps to 16384 Mbps
H.264 Type	Baseline profile, Main profile, High profile
H.265 Type	Main profile
Scalable Video Coding (SVC)	H.264 and H.265 encoding
Region of Interest (ROI)	8 fixed regions for each stream
Smart Features	
Smart Encoding	H.265+, H.264+, low bit rate, ROI, SVC
Smart Record	ANR, Dual-VCA
Network	
Network Storage	NAS (NFS, SMB/CIFS), auto network replenishment (ANR)
Protocols	TCP/IP, IPv4/IPv6, HTTP, HTTPS, 802.1X, QoS, FTP, SMTP, UPnP, SNMP, DNS, DDNS, NTP, RTSP, RTCP, RTP, UDP, IGMP, ICMP, DHCP, PPPoE, Bonjour
API	Open Network Video Interface (Profile S, Profile G, Profile T), ISAPI, SDK
Simultaneous Live View	Up to 20 channels
User/Host	Up to 32 users. 3 user levels: administrator, operator, and user
Security	host authentication (MAC address), HTTPS encryption, IP address filter, 802.1X authentication (EAP-TLS, EAP-LEAP, EAP-MD5), Password protection, complicated password
Client	iVMS-4200, Hik-Connect
Web Browser	IE10-11, Chrome 57+, Firefox 52+, Safari 12+
Image	
Day/Night Switch	auto
Image Enhancement	BLC, HLC, 3D DNR
Wide Dynamic Range (WDR)	120 dB
Defog	Digital defog
Regional Exposure	Yes
Regional Focus	Yes
Image Settings	saturation, brightness, sharpness, contrast
Image Parameters Switch	Yes
Privacy Mask	mask color or mosaic configurable, up to 24 programmable polygon privacy masks
SNR	≥ 52 dB
Interface	
On-board Storage	Built-in memory card slot, support microSD/microSDHC/microSDXC card, up to 256 GB
Ethernet Interface	1 RJ45 10/100 M self-adaptive Ethernet port
Alarm	1 input(s), 1 output(s)

Event	
Basic Event	Motion detection, video tampering alarm, alarm input and output, exception
Smart Event	intrusion detection, Line crossing detection, region entrance detection, region exiting detection, unattended baggage detection, object removal detection, Face detection
Alarm Linkage	Upload to FTP/NAS/memory card, notify surveillance center, send email, trigger alarm output, trigger recording, and PTZ actions (such as preset, patrol scan, pattern scan)
Smart Tracking	Manual tracking, panorama tracking
General	
Power	12 VDC \pm 25%, max. 7 W, PoE (802.3af), Class A, 36 to 57 V, max. 7 W
Dimension	\varnothing 184 mm \times 264.2 mm (\varnothing 7.2" \times 10.4")
Demist	Yes
Material	SUS304
Certificate No.	IECEX: IECEX NEP 20.0018X ATEX: SEV 20 ATEX 0415 X
General Function	mirror, password protection, watermark, IP address filter
Operating Condition	-30 °C to 60 °C (-22 °F to 140 °F). Humidity 95% or less (non-condensing)
Weight	Approx. 8 kg (17.64 lb.)
Ex-mark	ATEX: Ex II 2GD Ex db IIC T6 Gb /Ex tb IIIC T80 °C Db; IECEX: Ex db IIC T6 Gb /Ex tb IIIC T80 °C Db
Approval	
EMC	FCC (47 CFR Part 15, Subpart B), CE-EMC (EN 55032: 2015, EN 61000-3-2: 2019, EN 61000-3-3: 2013 + A1: 2019, EN 50130-4: 2011 + A1: 2014), RCM (AS/NZS CISPR 32: 2015), IC (ICES-003: Issue 7), KC (KN 32: 2015, KN 35: 2015)
Safety	CB (IEC 62368-1: 2014 + A11), CE-LVD (EN 62368-1: 2014/A11: 2017), BIS (IS 13252 (Part 1): 2010/IEC 60950-1: 2005)
Protection	IP68 (IEC 60529-2013), TVS 6000 V lightning protection, surge protection and voltage transient protection

▪ Available Model

DS-2DF4420-DX(S6)(C)

▪ **Dimension**






▪ **Accessory**

▪ **Included**

DS-1772ZJ-ED2
Wall Mount



▪ **Optional**

DS-2780ZJ-X Explosion-proof Junction Box	DS-1677ZJ-XS-1.0(D) Flexible Conduit	DS-2781ZJ-X Explosion-proof Junction Box
		

Headquarters

No.555 Qianmo Road, Binjiang District,
Hangzhou 310051, China
T +86-571-8807-5998
www.hikvision.com



Follow us on social media to get the latest product and solution information.

