

## DS-2XS2T47G0-LDH/4G/C18S40 4 MP ColorVu Solar-powered Security Camera Setup



- High quality imaging with 4 MP resolution
- Standalone with solar panel and built-in battery
- 24/7 colorful imaging
- Efficient H.265+ compression technology
- Provide real-time security via built-in two-way audio
- Water and dust resistant (IP67)
- Stability against category 12 typhoon
- Built-in 4G (LTE-FDD/WCDMA) Module



## ▪ Specification

Camera	
Image Sensor	1/1.8" Progressive Scan CMOS
Max. Resolution	2688 × 1520
Min. Illumination	Color: 0.0005 Lux @ (F1.0, AGC ON), B/W: 0 Lux with white light
Shutter Time	1/3 s to 1/100,000 s
Angle Adjustment	Solar Cover: Pan: 0° to 358°, tilt: -40° to 40° Camera: Pan: 0° to 360°, tilt: -60° to 0°
Lens	
Lens Type	Fixed focal lens, 4mm
Aperture	F1.0
Focal Length & FOV	4 mm, horizontal FOV 95°, vertical FOV 51°, diagonal FOV 115°
Lens Mount	M16
DORI	
DORI	4mm, D: 77 m, O: 30 m, R: 15 m, I: 8 m 6mm, D: 116 m, O: 46 m, R: 23 m, I: 12 m
Illuminator	
Supplement Light Type	White Light
Supplement Light Range	Performance mode: up to 30 m Proactive mode: up to 10 m
Smart Supplement Light	Yes
Video	
Main Stream	50 Hz: 12.5 fps (2688 × 1520, 1920 × 1080, 1280 × 720) 60 Hz: 15 fps (2688 × 1520, 1920 × 1080, 1280 × 720)
Sub-Stream	50 Hz: 12.5 fps (640 × 480, 640 × 360) 60 Hz: 15 fps (640 × 480, 640 × 360)
Video Compression	Main stream: H.265/ H.264 Sub-stream: H.265/H.264/MJPEG H.264+: Performance mode: main stream supports H.265+: Performance mode: main stream supports
Video Bit Rate	32 Kbps to 8 Mbps
H.264 Type	Baseline Profile/Main Profile/High Profile
H.265 Type	Main Profile
Bit Rate Control	CBR/VBR
Scalable Video Coding (SVC)	H.265 and H.264 support
Region of Interest (ROI)	1 fixed region for main stream
Audio	
Audio Sampling Rate	8 kHz/16 kHz/32 kHz/44.1 kHz/48 kHz

Environment Noise Filtering	Yes
Audio Compression	G.711/G.722.1/G.726/MP2L2/PCM/AAC/MP3
Audio Bit Rate	64 Kbps (G.711ulaw/G.711alaw)/16 Kbps (G.722.1)/16 Kbps (G.726)/32 to 192 Kbps (MP2L2)/8 to 320 Kbps (MP3)/16 to 64 Kbps (AAC)
<b>Network</b>	
Security	Password protection, complicated password, HTTPS encryption, IP address filter, Security Audit Log, basic and digest authentication for HTTP/HTTPS, TLS 1.1/1.2, WSSE and digest authentication for Open Network Video Interface
Simultaneous Live View	Up to 6 channels
API	Open Network Video Interface, ISAPI, SDK, ISUP
Protocols	TCP/IP, ICMP, HTTP, FTP, DHCP, DNS, DDNS, RTP, RTSP, RTCP, NTP, UPnP, SMTP, IGMP, QoS, IPv6, UDP, Bonjour, SSL/TLS, SNMP, HTTPS, 802.1X
User/Host	Up to 32 users. 3 user levels: administrator, operator and user
Network Storage	Auto network replenishment (ANR)
Client	iVMS-4200, Hik-Connect, Hik-Central Proactive mode: Hik-Connect
Web Browser	Plug-in required live view: IE 10+ Plug-in free live view: Chrome 57.0+, Firefox 52.0+ Local service: Chrome 57.0+, Firefox 52.0+
<b>Mobile Communication</b>	
Frequency	LTE-TDD: Band 38/40/41; LTE-FDD: Band 1/3/5/7/8/20/28; WCDMA: Band 1/5/8; GSM: band 3/5/8
Standard	LTE-TDD, LTE-FDD, WCDMA, GSM
<b>Image</b>	
SNR	≥ 52 dB
Wide Dynamic Range (WDR)	120 dB
Day/Night Switch	Day, Night, Auto, Schedule
Image Enhancement	BLC, HLC, 3D DNR
Image Settings	Rotate mode, saturation, brightness, contrast, sharpness, gain, white balance adjustable by client software or web browser
<b>PIR</b>	
PIR Angle	Horizontal: 100°, vertical: 80°
PIR Range	Up to 15 m
<b>Interface</b>	
Ethernet Interface	1 RJ45 10 M/100 M self-adaptive Ethernet port
On-Board Storage	Built-in memory card slot, support microSD/SDHC/SDXC card, up to 256 GB Built-in 64 GB eMMC storage (50 GB available for recording)
Built-in Microphone	Yes
Built-in Speaker	Yes

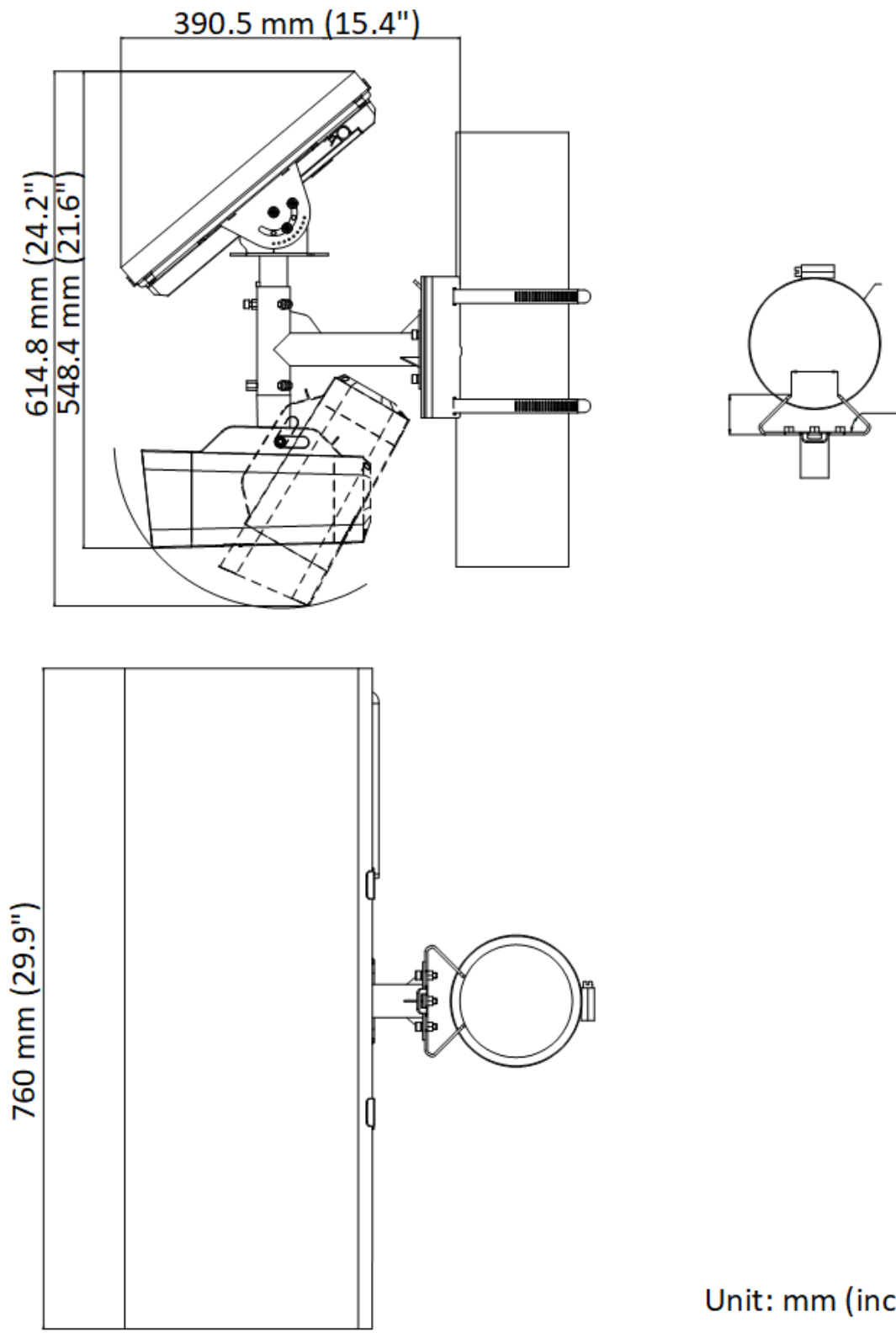
Reset Key	Yes
<b>Event</b>	
Basic Event	Motion detection, video tampering alarm, exception, PIR
Linkage	Upload to memory card, notify surveillance center, audible warning, trigger recording, trigger capture, send email
<b>General</b>	
Power	<p>Power Consumption and Current:            Typical power scenarios: 1.85 W (4 G working)            Standby scenarios: 40 mW            Max. power consumption: 7.2 W</p> <p>Power Supply:            12 VDC <math>\pm</math> 25%            *For debugging only            40 W(deviation: <math>\pm</math> 2 W) Solar panels</p> <p>Power Interface:            Power supply interface: <math>\Phi</math>5.5 mm coaxial power plug            Extended solar panel: four-core aviation connector</p>
Material	ADC12
Storage Conditions	-20 °C to 50 °C (-4 °F to 122 °F). Humidity 95% or less (non-condensing)
Language	33 languages English, Russian, Estonian, Bulgarian, Hungarian, Greek, German, Italian, Czech, Slovak, French, Polish, Dutch, Portuguese, Spanish, Romanian, Danish, Swedish, Norwegian, Finnish, Croatian, Slovenian, Serbian, Turkish, Korean, Traditional Chinese, Thai, Vietnamese, Japanese, Latvian, Lithuanian, Portuguese (Brazil), Ukrainian
Firmware Version	V5.5.130
General Function	Heartbeat, mirror, privacy mask, flash log, password reset via email, pixel counter
Startup and Operating Conditions	-20 °C to 50 °C (-4 °F to 122 °F). Humidity 95% or less (non-condensing)
Dimension	614.8 mm $\times$ 390.5 mm $\times$ 760 mm (24.2" $\times$ 15.4" $\times$ 29.9")
Package Dimension	837 mm $\times$ 267 mm $\times$ 445 mm (33" $\times$ 10.5" $\times$ 17.5")
Weight	Pre-install plate: approx. 1080 g (2.4 lb.) Bullet camera + bracket + solar panel: approx. 8540 g (18.8 lb.)
With Package Weight	approx. 11860 g (26.1 lb.)
<b>Battery</b>	
Battery Type	Ternary lithium
Capacity	23.2 Ah
Max. Charging Voltage	8.4 V
Operating Temperature	Charge: -20 °C to 45 °C (-4 °F to 113 °F). Charging Condition: -20 °C to 45 °C (-4 °F to 113 °F) (deviation: $\pm$ 5 °C) Discharge: -20 °C to 55 °C (-4 °F to 131 °F). Discharging Condition: -20 °C to 55 °C (-4 °F to 131 °F) (deviation: $\pm$ 5 °C)
Battery Voltage	5.5 V to 8.4 V

Cycle Lifetime	Performance mode: 2.5 day Proactive mode: 4.5 day Standby mode: 24 days
Battery Life	More than 500 cycles
<b>Approval</b>	
RF	FCC ID (FCC Part 15.247(BT or 2.4G)); CE-RED (EN 301489-1 V2.1.1(BT or 2.4G); EN 301489-17 V3.1.1(BT or 2.4G); EN 300328 V2.1.1(BT or 2.4G); EN 62311:2008(BT or 2.4G));
EMC	FCC SDoC (47 CFR Part 15, Subpart B); CE-EMC (EN 55032: 2015, EN 61000-3-2:2019, EN 61000-3-3:2013+A1:2019, EN 50130-4: 2011 +A1: 2014); RCM (AS/NZS CISPR 32: 2015)
Safety	CB (IEC 62368-1:2014+A11); CE-LVD (EN 62368-1:2014/A11:2017); LOA (IEC/EN 60950-1)
Environment	CE-RoHS (2011/65/EU); WEEE (2012/19/EU); Reach (Regulation (EC) No 1907/2006)
Protection	IP67 (IEC 60529-2013)

### ▪ Available Model

DS-2XS2T47G0-LDH/4G/C18S40(4mm)(USA)/NB,DS-2XS2T47G0-LDH/4G/C18S40(4mm)(USA),

### ▪ Dimension



Distributed by

**HIKVISION®****Headquarters**

No.555 Qianmo Road, Binjiang District,  
Hangzhou 310051, China  
T +86-571-8807-5998  
overseasbusiness@hikvision.com

**Hikvision USA**  
T +1-909-895-0400  
sales.usa@hikvision.com

**Hikvision Australia**  
T +61-2-8599-4233  
salesau@hikvision.com

**Hikvision India**  
T +91-22-28469900  
sales@pramahikvision.com

**Hikvision Canada**  
T +1-866-200-6690  
sales.canada@hikvision.com

**Hikvision Thailand**  
T +662-275-9949  
sales.thailand@hikvision.com

**Hikvision Europe**  
T +31-23-5542770  
sales.eu@hikvision.com

**Hikvision Italy**  
T +39-0438-6902  
info.it@hikvision.com

**Hikvision Brazil**  
T +55 11 3318-0050  
Latam.support@hikvision.com

**Hikvision Turkey**  
T +90 (216)521 7070- 7074  
sales.tr@hikvision.com

**Hikvision Malaysia**  
T +601-7652-2413  
sales.my@hikvision.com

**Hikvision UK & Ireland**  
T +01628-902140  
sales.uk@hikvision.com

**Hikvision South Africa**  
Tel: +27 (10) 0351172  
sale.africa@hikvision.com

**Hikvision France**  
T +33(0)1-85-330-450  
info.fr@hikvision.com

**Hikvision Kazakhstan**  
T +7-727-9730667  
nikia.panfilov@hikvision.ru

**Hikvision Vietnam**  
T +84-974270888  
sales.vt@hikvision.com

**Hikvision UAE**  
T +971-4-4432090  
salesme@hikvision.com

**Hikvision Singapore**  
T +65-6684-4718  
sg@hikvision.com

**Hikvision Spain**  
T +34-91-737-16-55  
info.es@hikvision.com

**Hikvision Tashkent**  
T +99-87-1238-9438  
uzb@hikvision.ru

**Hikvision Hong Kong**  
T +852-2151-1761  
info.hk@hikvision.com

**Hikvision Russia**  
T +7-495-669-67-99  
saleru@hikvision.com

**Hikvision Korea**  
T +82-(0)31-731-8817  
sales.korea@hikvision.com

**Hikvision Poland**  
T +48-22-460-01-50  
info.pl@hikvision.com

**Hikvision Indonesia**  
T +62-21-2933759  
Sales.Indonesia@hikvision.com

**Hikvision Colombia**  
sales.colombia@hikvision.com