

EJB

Enclosures



On Request Accessories

- External epoxy painting with colour on request
- Internal anticondensate painting orange RAL-2004
- O-Ring gaskets on cover
- Glass windows on cover
- Drain and breather valves
- Galvanized steel body & cover
- Cast iron body & cover

Installation

hazardous areas - Zone 1 / 2 (Gases) - Zone 21 / 22 (Dusts)

Classification

Group II - Category 2G 2D

Reference standards

Directive 2014/34/EU	
Execution	(Ex II 2 G) Ex db IIA or IIB or IIB+H2 T6...T3 (Ex II 2 G) Ex db [ia/ib IIA or IIB or IIC Ga] IIA or IIB or IIB+H2 T6 (Ex II 2 D) Ex tb IIIC T85°C...T200 °C (Ex II 2 D) Ex tb [ia Da/ib] IIIC T85 °C
Rules of compliance	EN/IEC 60079-0; EN/IEC 60079-1; EN/IEC 60079-11; EN/IEC 60079-31
EU Type-Examination Certificate	INERIS 13 ATEX 0022X
Protection degree	IP66
Ambient temperature	-60 °C ÷ +80 °C
Other available certificates	ATEX Component: INERIS 13 ATEX 9019U IECEX: IECEX INE 13_0070X INMETRO: CEPEL 12.2139X EAC: TC RU C-IT.ГБ02.B.00689/18 RUSSIAN MARINE CERTIFICATE (RMRS): 19.02521.280 NEC 505: UL 20120514-E344596 - Type rating NEMA 1, 12, 4 and 4X IECEX: IECEX INE 13.0083U CCC: 2021122304114053 ECASEX: 23-06-22481/Q23-06-048569/NB0002 CCO0E-PESO: P531827

Mechanical characteristics

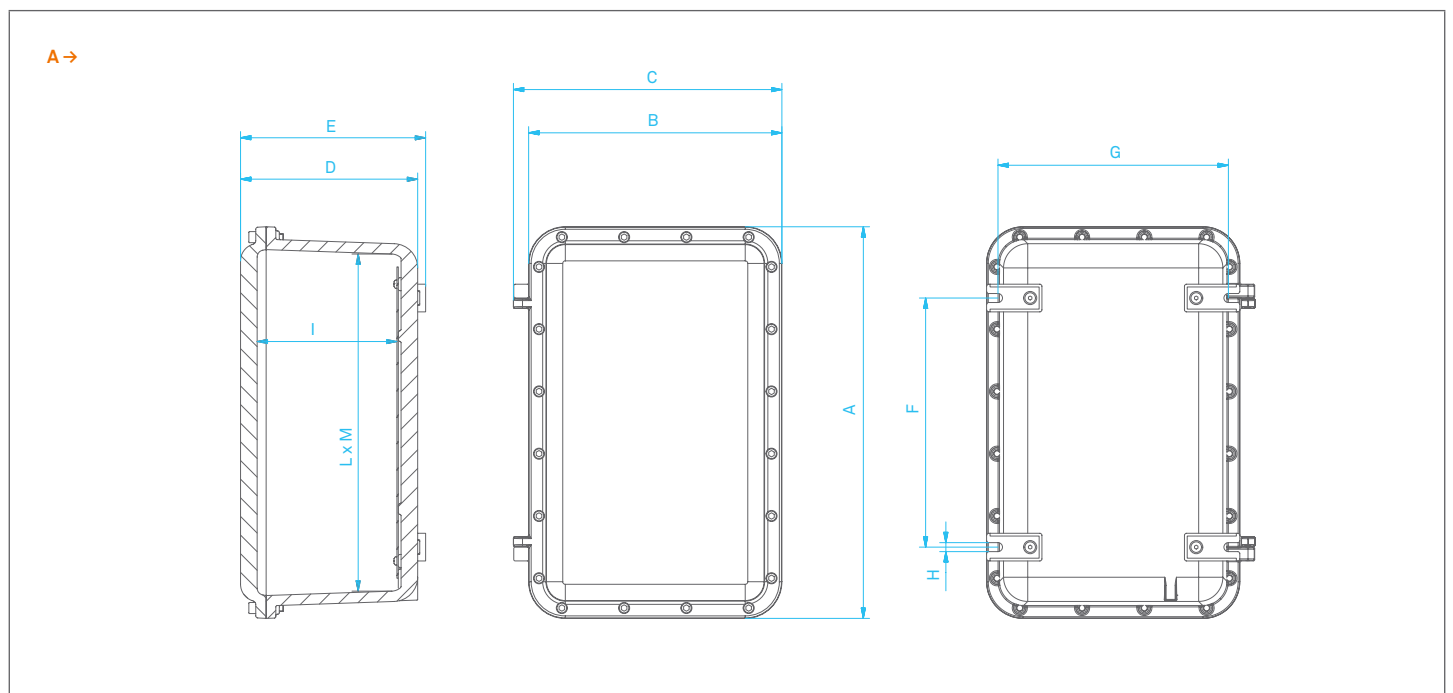
Body/cover	marine grade copper free aluminium light alloy
Screws	stainless steel
Internal mounting plate	hot dip galvanized steel / aluminum
Fixing	fixing lugs AL UNI EN 1706:1999 - galvanized steel stirrups sp. 10mm (EJB71/73-91/93)
Hinges	On the long side - cast on enclosure body and cover



Technical Features

Code	A [mm]	B [mm]	C [mm]	D [mm]	E [mm]	F [mm]	G [mm]	H [mm]	I [mm]	L [mm]	M [mm]	Int. plate X - Y [mm]	Weight [kg]	Detail
EJB-21A	284	245	267	169	179	160	243	11	121	216	176	180 - 140	11,20	A
EJB-31A	415	315	337	249	258	294	287	11	195	345	245	325 - 225	24,20	A
EJB-51A	566	366	388	257	269	360	333	13	200	487	287	460 - 260	36,10	A
EJB-61A	670	470	491	361	373	500	441	13	307	580	380	560 - 360	68,10	A
EJB-63A	670	470	491	236	248	500	441	13	182	580	380	560 - 360	50,50	A
EJB-71	742	542	572	429	439	520	580	16	331	632	432	590 - 390	110,40	A
EJB-73	742	542	572	311	321	520	580	16	213	632	432	590 - 390	95,60	A
EJB-91	960	660	697	462	472	700	650	16	350	825	525	750 - 448	188,50	A
EJB-93	960	660	697	305	315	700	650	16	193	825	525	750 - 448	166,50	A

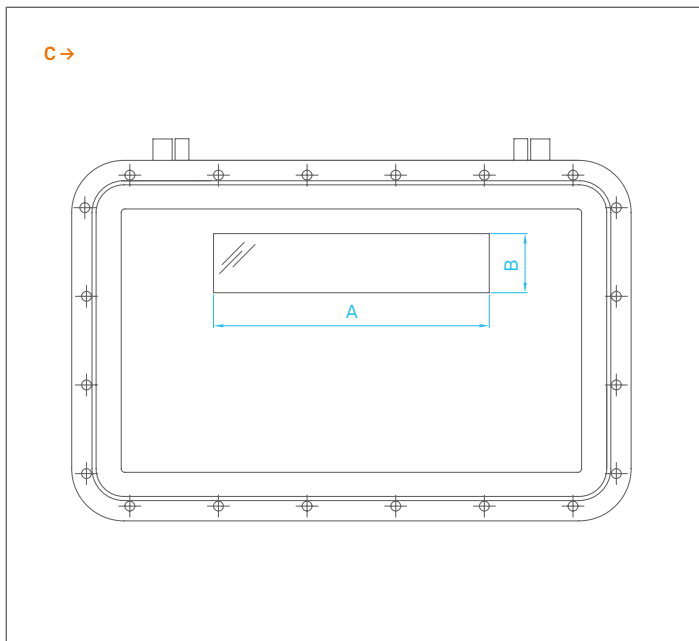
Technical Features



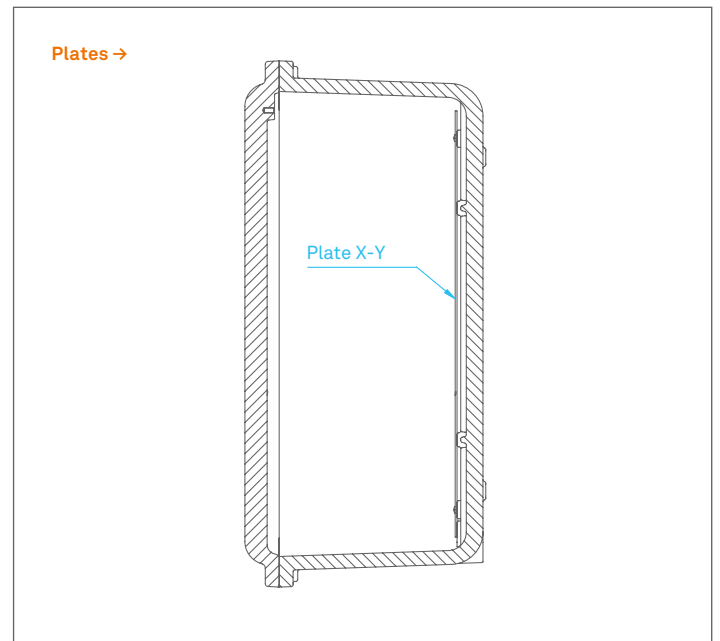
Glass windows on cover

Window code	Window type							Dimensions		Detail
		EJB-21	EJB-31	EJB-51	EJB-61/63	EJB-71/73	EJB-91/93	A [mm]	B [mm]	
KITF1FTC	F1	x	x	x	x	x	x	60	60	C
KITF2STC	F2	x	x	x	x	x	x	75	75	C
KITF3STC	F3	x	x	x	x	x	x	110	75	C
KITF4STC	F4	x	x	x	x	x	-	150	75	C
KITF5STC	F5	-	x	x	x	-	-	150	150	C
KITF6STC	F6	-	-	x	x	-	-	300	75	C
KITF7STC	F7	-	-	x	x	-	-	300	150	C
KITF8C	F8	-	-	-	x	-	-	300	300	C
KITF9C	F9	-	-	-	x	-	-	450	300	C

Reference details



Reference details



Indicative quantity of terminals and relevant section

Code	Sect. 2,5 [sq/mm]	Sect. 6,0 [sq/mm]	Sect. 10,0 [sq/mm]	Sect. 16,0 [sq/mm]	Sect. 35,0 [sq/mm]	Sect. 50,0 [sq/mm]	Sect. 70,0 [sq/mm]	Sect. 240,0 [sq/mm]	Int. plate X - Y [mm]
EJB-21A	30 x 1	20 x 1	14 x 1	12 x 1	9 x 1	7 x 1	5 x 1	1 x 1	180 - 140
EJB-31A	52 x 2	32 x 2	24 x 2	20 x 2	14 x 2	12 x 1	8 x 1	4 x 1	325 - 225
EJB-51A	80 x 2	46 x 2	36 x 2	30 x 2	22 x 2	18 x 2	16 x 1	6 x 1	460 - 260
EJB-61A/63A	92 x 3	58 x 3	46 x 3	38 x 3	28 x 3	26 x 2	22 x 2	12 x 1	560 - 360
EJB-71/73	110 x 3	70 x 3	56 x 3	46 x 3	34 x 3	28 x 2	24 x 2	12 x 1	590 - 390
EJB-91/93	140 x 3	90 x 3	70 x 3	60 x 3	44 x 3	36 x 3	32 x 2	14 x 2	750 - 448

REMARK:

Due to the development of the national and international specifications and of the technology, the above technical characteristics showed on this bulletin can be considered as binding on our confirmation only.

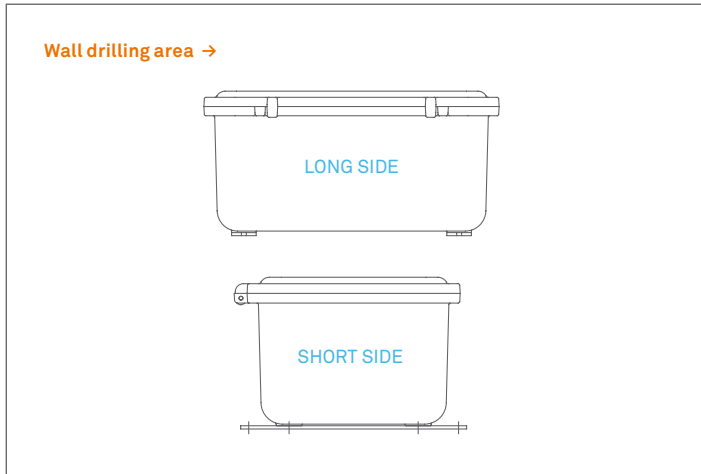
Body and cover enclosures indicative maximum quantity of holes of the same size

Enclosure code	Drilling area long side							
	Quantity allowed entries for size (from 1 to size 8)							
	1	2	3	4	5	6	7	8
EJB-21A	10	7	5	3	2	2	1	-
EJB-31A	28	18	14	11	8	6	3	2
EJB-51A	44	27	24	20	12	10	6	3
EJB-61A	72	50	36	32	21	21	14	8
EJB-63A	36	29	18	16	14	7	5	4
EJB-71	90	55	46	39	32	21	15	10
EJB-73	40	26	22	18	14	12	7	4
EJB-91	112	84	65	55	40	28	23	14
EJB-93	48	42	29	22	10	11	9	5

Enclosure code	Drilling area short side							
	Quantity allowed entries for size (from 1 to size 8)							
	1	2	3	4	5	6	7	8
EJB-21A	8	5	4	3	2	1	1	-
EJB-31A	20	12	9	8	6	5	2	1
EJB-51A	24	15	12	11	6	6	3	2
EJB-61A	48	30	24	20	12	12	8	6
EJB-63A	24	17	12	10	8	4	3	3
EJB-71	59	35	28	25	21	12	10	6
EJB-73	16	18	14	12	8	11	4	2
EJB-91	70	42	35	35	24	18	13	8
EJB-93	30	24	21	14	12	7	5	3

Body and cover enclosures indicative maximum quantity of holes of the same size

Reference details



Threads comparison table

Size	EN10226-2	ISO 228-1	B1.20.1	ISO 262
0	R-Rc 1/8"	G 1/8"	1/8" NPT	M10
1	R-Rc 1/2"	G 1/2"	1/2" NPT	M20
2	R-Rc 3/4"	G 3/4"	3/4" NPT	M25
3	R-Rc 1"	G 1"	1" NPT	M32
4	R-Rc 1-1/4"	G 1-1/4"	1-1/4" NPT	M40
5	R-Rc 1-1/2"	G 1-1/2"	1-1/2" NPT	M50
6	R-Rc 2"	G 2"	2" NPT	M63
7	R-Rc 2-1/2"	G 2-1/2"	2-1/2" NPT	M75
8	R-Rc 3"	G 3"	3" NPT	M85
9	-	G 3-1/2"	3-1/2" NPT	M100
10	R-Rc 4"	G 4"	4" NPT	M115

Max allowed quantity of push button and pilot light

Enclosure code	Cover drilling area	
	Max operators permitted	
EJB-21	12	
EJB-31	30	
EJB-51	54	
EJB-61	56	
EJB-63	56	
EJB-71	48	
EJB-73	48	
EJB-91	54	
EJB-93	54	

Reference details

