

Ex de Flashing lamp 15 J



- Set in Zone 1/21, Zone 2/22
- Maintenance-free
- Compact design, no wear parts
- Very sturdy
- Low power demand due to high lamp efficiency
- Easy installation

Plant and machinery are fitted with visual alarms to give timely warning of dangerous situations and to enable machinery to be shut down before damage occurs. The BARTEC flashing lamps are designed for continuous operation. The BARTEC's flashing lamps provide information, warnings and alarms on machinery and plant in explosion-endangered areas in Zone 1 and Zone 2, Zone 21 and 22.

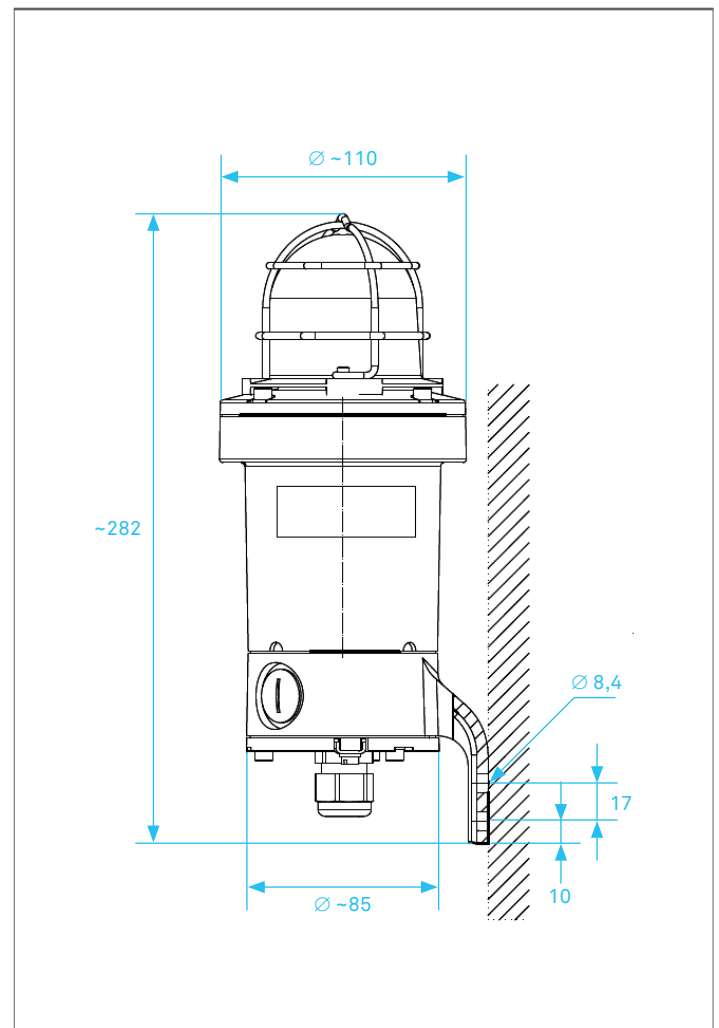
The flashing lamp is activated by switching on the supply voltage and is available in different Operating voltage versions. The stable enclosure is designed in protection class IP66/ IP67 and can be installed in rooms or outdoors.

Function

The flashing lamp is made of an aluminium Ex d enclosure with a dome made of Borosilikat glass. The connection compartment was designed in the "increased safety" type of protection in conformance to EN 60079-7. An M20 x 1.5 gland is available to facilitate the insertion of the cable. The for colouring necessary outer calotte is screwed with the protective cage to upper housing part; tightening torque 0.8 Nm.

Dimensions

in mm



Explosion protection

Marking ATEX	Ex II 2G Ex d e IIC T5, T6 Gb Ex II 2D Ex tb IIIC T95 °C, T80 °C Db
Certification	PTB 99 ATEX 1028
Marking IECEx	Ex d e IIC T5, T6 Gb Ex tb IIIC T95 °C, T80 °C Db
Certification	IECEX PTB 09.0062

Further approvals and certificates on request.

Technical data

Protection class	IP 66/IP 67 according to IEC 60529
Enclosure material	Aluminium, powder-coated with hardened glass dome and with protective cage

Electrical data

Rated voltage	AC 230 V DC 24 V
Flash energy	15 J
Flash frequency	ca. 60/min (1 Hz)
Operating mode	Continuous operation S 1 after IEC 60034-1; DIN EN 60034-1; VDE 0530 level 1
Activation	by connecting with the rated voltage
Temperature range	Service: -55 °C ≤ Ta ≤ +40 °C (T6) (T80 °C) -55 °C ≤ Ta ≤ +55 °C (T5) (T95 °C) Storage: -60 °C bis + 70 °C
Weight	approx. 2 kg
Protection class	I
Overvoltage category	II
Average service life	5x 10 ⁶ flashes

Ordering information

Description	Nominal voltage	Signal colour	Order Nr.
Flashing lamp 15 J [WS]	AC 230 V	red	03-9530-0009
	AC 230 V	yellow	03-9530-0010
	DC 24 V	red	03-9530-0006
	DC 24 V	yellow	03-9530-0007
	DC 24 V	green	03-9530-0008

Technical data subject to change without notice.