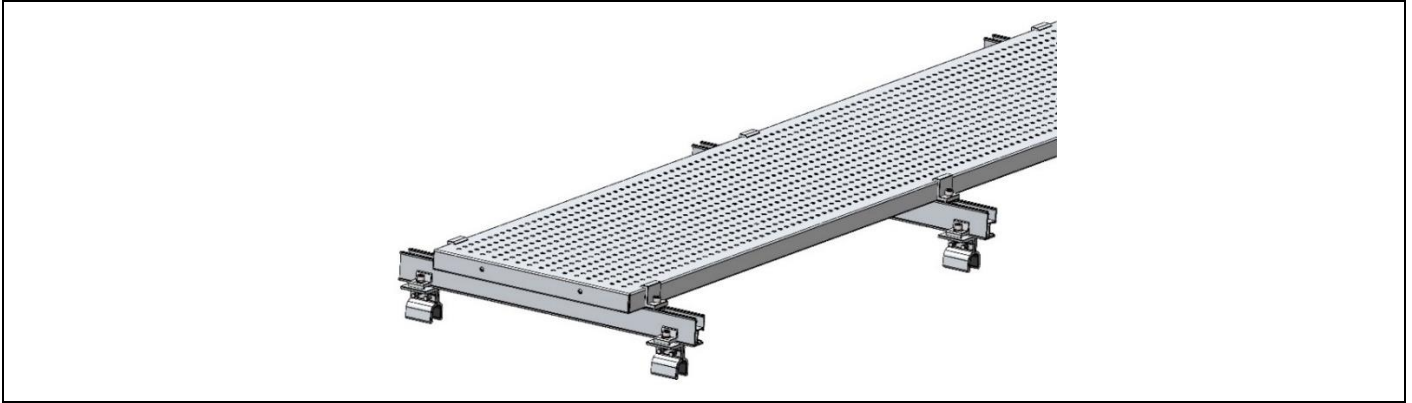
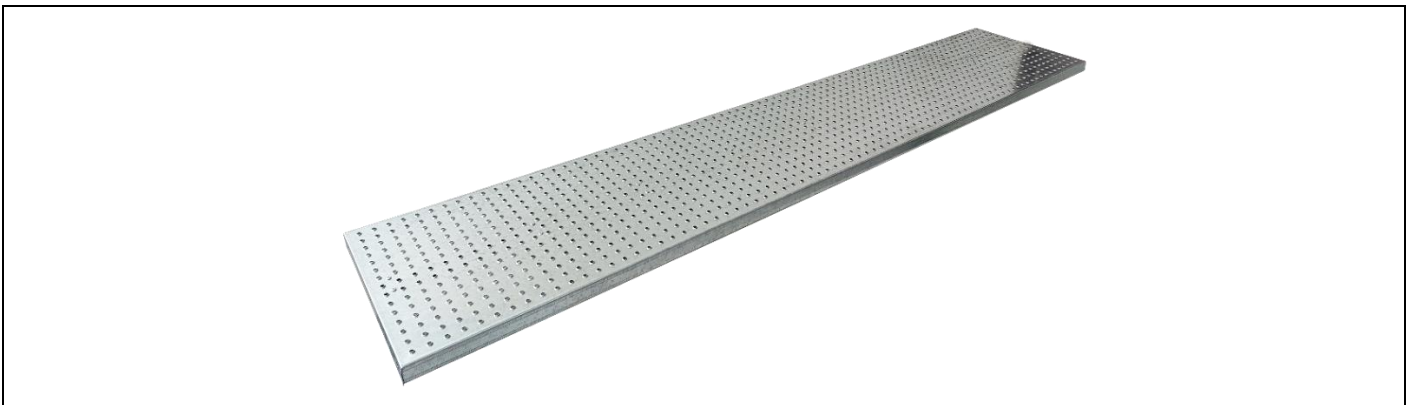


Roof walkways are designed to assist in ongoing maintenance, and also to protect roofs during walking. Our Walkway is compatible with all our products: ECO Rail, B50 Rail, DT Rail, L-feet, etc. For increased versatility, we offer multiple choice of length, width. The product can be applied to go alongside any roofing installation, for example solar or HVAC systems. Speak to a Clenergy representative for more information.

Assembly



Component



Clenergy RUNNUR WX Series, Walkway, MAC Steel
Part No.: CR-WX40/400/3000M

*40 is product height, 400 is product width, 3000 is product length (vary according to project needs)

Technical Specification

Fixing method	Fixing on the Rail with clamps
Dimensions	Length: 2000 or 3000mm Width: 350 or 400mm Height: 35 or 40mm
Weight	CR-WX35/400/2000M: 11.3 Kg CR-WX40/400/1000M: 5.9 Kg CR-WX40/400/3000M: 17.1 Kg
Material	MAC Steel
Finish	Zn-Mg-Al Coating, 275g/m ² for C3 and below, 350g/m ² for C4, 450g/m ² for C5
Color	Silver
Warranty	12 years