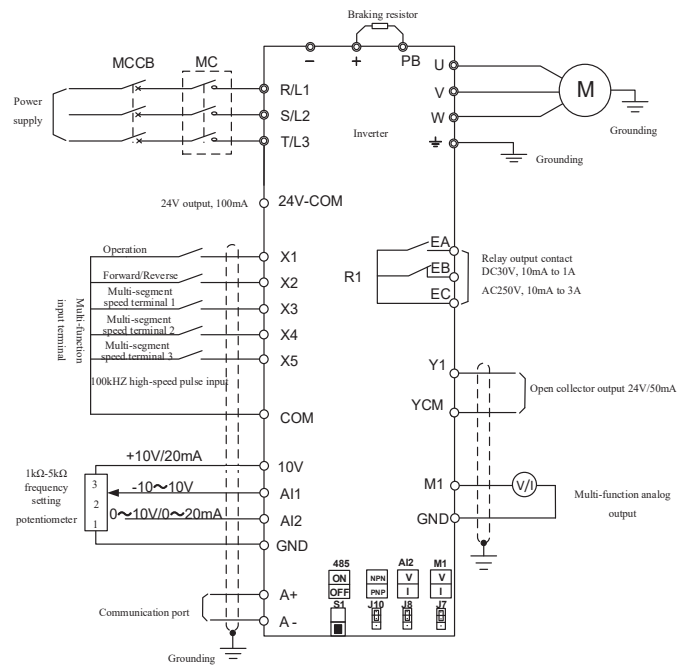


Series EM730

Product Data

Definition	DATA	
Model	EM730-1R5-3B	
Application motor size kW (HP)	1.5 kW (2)	
Motor type	Asynchronous motor / Permanent-magnet motor	
OverLoad capability	Heavy-duty rated current	150% of rate current 60 seconds 180% of rate current 10 seconds 200% of rate current 2 seconds
	Light-duty rated current	120% of rate current 60 seconds 150% of rate current 10 seconds 180% of rate current 2 seconds
Starting torque	1Hz/150%(VVF) , 0.25Hz/150%(SVC)	
Rated input voltage (V)	3 phase : 340V(-10%) ~ 460V(+10%)	
Rated input current (A)	5.8A	
Rated output voltage (V)	0 ~ input voltage	
Rated output current (A)	Heavy-duty 4.2A / Light-duty 4.6A	
Output frequency (Hz)	0Hz ~ 600Hz / 0Hz ~ 3,000Hz	
Protective housing	IP20	
Cooling	Fan	
Minimum value of resistor (Ω)	180Ω	
Carrier frequency	1 to 16 kHz	

Connecting Diagram



Dimension

W1 (mm)	W2 (mm)	H1 (mm)	H2 (mm)	D1 (mm)	D2 (mm)	Weight (Kg)
75	65	142	132	146	152	1.28

