



Features:

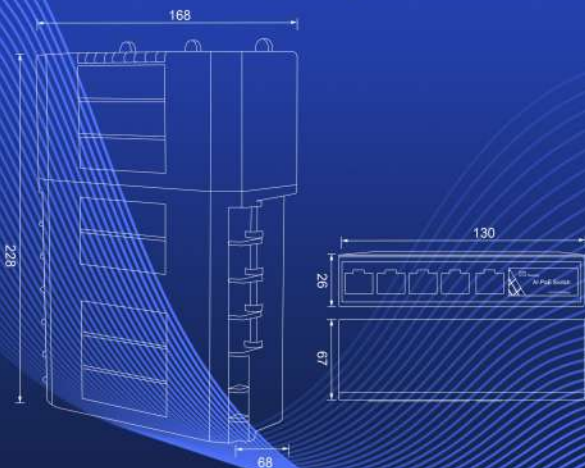
- * Total 60W Power Supply
- * 4 ports PoE
- * 1 port Uplink
- * AI Watchdog Function
- * 6KV Lightning & 8KV ESD Protection
- * Support bt 60W High Power
- * Compact Design, Competitive Solution

Ports Description:



- 1** 1000Mbps PoE Ports
- 2** bt 60W Power Ports
- 3** 1000Mbps Uplink Ports

Dimension (mm)



Model	HS-SW4EX
Ports	PoE (1-3): 10/100/1000Mbps PoE ports (RJ45) PoE (4): 10/100/1000Mbps PoE port (RJ45), Support bt 60W High Power LAN: 10/100/1000Mbps uplink port (RJ45)
Transmission Rate	2000Mbps Full Duplex; 10 or 100 or 1000 Mbps Half Duplex
Transmission Distance	130m(Max Cascade 2~4 Times)
Performance Specification	Bandwidth: 10Gbps Network Latency (10 to 1000Mbps): 16μs (use the 64byte package size) MAC address table: 8K The Frame Filter & Transmission Rate: 14800pps the most for 10M port, 148800pps the most for 100M port; 1488000pps the most for 1000M port
Networking Standard	IEEE 802.3i 10BASE-T/IEEE 802.3u 100BASE-TX IEEE 802.3ab 1000BASE-T IEEE 802.3x Flow Control IEEE 802.3af/at/bt Power over Ethernet
Power Support	Power Input: PoE ≤ 60W AI Watchdog: Port 1-4 Power Output: PoE1-3 Port: 1/2(+52V), 3/6(GND)≤30W PoE 4 Port: 1245(+53V),3678(GND) Compatible1/2(+52V),3/6(GND)≤60W
Protection Level	Lightning Protection:6KV, Per: IEC61000-4-5 ESD Protection:8KV, Per: IEC61000-4-2
Physical Specifications	Size(L*W*H): 130*67*26mm, Weight: 0.45KG Indoor Size(L*W*H): 228*168*68mm, Weight: 1.0KG Outdoor
Working Environment	Operating Temperature: -30°C~60°C Storage Temperature: -40°C~70°C Operating Humidity: 10%~90% Non-condensing Storage Humidity: 5%~90% Non-condensing
Electromagnetic Compatibility	CE Mark FCC Part15,Class B RoHS 2.0