

Enclosure: Terminal Box, TBE2 Series

Increased Safety and Dust protection by enclosure

Zone 1 & 2 – 21 & 22



Application

The TBE2 terminal boxes are designed for taps, splices or connecting of conductors for control and instrument. These boxes are suitable for explosive atmospheres zone 1, 2 and zone 21, 22.

Specification

Housing material : Marine grade copper-free aluminium alloy with polyester powder coated, RAL 7032 (Grey)
(optional offshore painting- acrylic polyurethane coating)

Sealing (O-ring) : Silicone -40°C to +175°C

Lid screws : Stainless steel, SUS 304 (optional SUS 316)

Technical Data

Hazardous Area Zones	Gas	Dust
Equipment Group/Category	1 & 2	21 & 22
Symbol of Protection	II 2G	II 2D
Conformity to Standards	Ex eb IIC T6/T5 Gb	Ex tb IIIC T85°C/ T100°C Db
Ambient Temperature	EN IEC 60079-0:2018, EN IEC 60079-7:2015/A1:2018, EN 60079-31:2014 IEC 60079-0:2017, IEC 60079-7:2015, IEC 60079-31:2013	
Index of Protection	-40°C to +65°C	
Entries	IP66	
Mounting	NPT or Metric threads Wall mount	

Electrical Rating

Rated voltage : up to 690V.
Rated current : up to 76A.
(depending on type of terminal used)

Option

please specify

- Terminal sizes and number of poles.

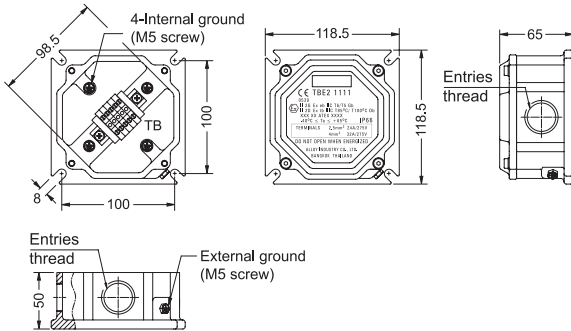


Ordering Requirements

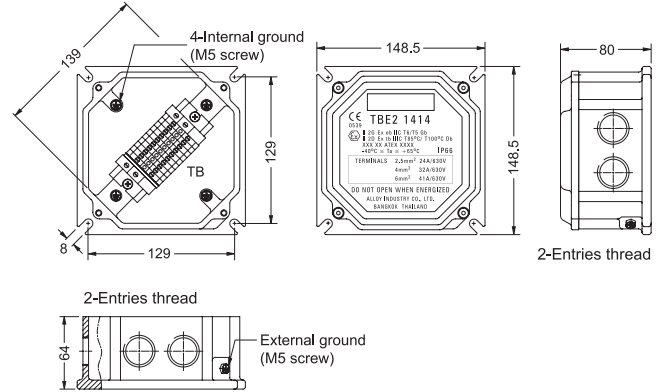
Cat. No.	Terminal Block, Ex e (Pin type)					Maximum Terminal Block (Poles)	Maximum entries thread size NPT (Metric)			Empty Weight (kgs.)
	Brand	Model	Wire Size	Current	Voltage		1/2" (M20x1.5)	3/4" (M25x1.5)	1" (M32x1.5)	
TBE2 1111	ABB Entelec	DR4/6.Ex	0.5-4mm. ²	30A.	275V.	6	1	1	-	0.87
	Phoenix Contact	MUT 4	0.5-4mm. ²	32A.	352V.					
	Wago	264-125	0.5-2.5mm. ²	23A.	550V.					
TBE2 1414	ABB Entelec	ZS4	0.5-4mm. ²	32A.	630V.	8	2	2	1	1.65
		ZS6	0.5-6mm. ²	41A.						
	Phoenix Contact	UK 3N	0.5-2.5mm. ²	23A.	690V.					
		UK 5N	0.5-4mm. ²	30A.						
		UK 6N	1.5-6mm. ²	41A.						
	Wago	2002-1201	0.5-2.5mm. ²	22A.	550V.					
		2004-1201	0.5-4mm. ²	30A.						
2006-1201		1.5-6mm. ²	38A.							
TBE2 1818	ABB Entelec	ZS4	0.5-4mm. ²	32A.	630V.	18	4	4	4	2.6
		ZS6	0.5-6mm. ²	41A.						
		ZS10	1.5-10mm. ²	57A.						
		ZS16	1.5-16mm. ²	76A.						
	Phoenix Contact	UK 3N	0.5-2.5mm. ²	23A.	690V.					
		UK 5N	0.5-4mm. ²	30A.						
		UK 6N	1.5-6mm. ²	41A.						
		UK 10N	1.5-10mm. ²	57A.						
	Wago	UK 16N	4-16mm. ²	76A.	550V.					
		2002-1201	0.5-2.5mm. ²	22A.						
		2004-1201	0.5-4mm. ²	30A.						
		2006-1201	1.5-6mm. ²	38A.						
		2010-1201	1.5-10mm. ²	51A.						
2016-1201	1.5-16mm. ²	70A.								

Dimension

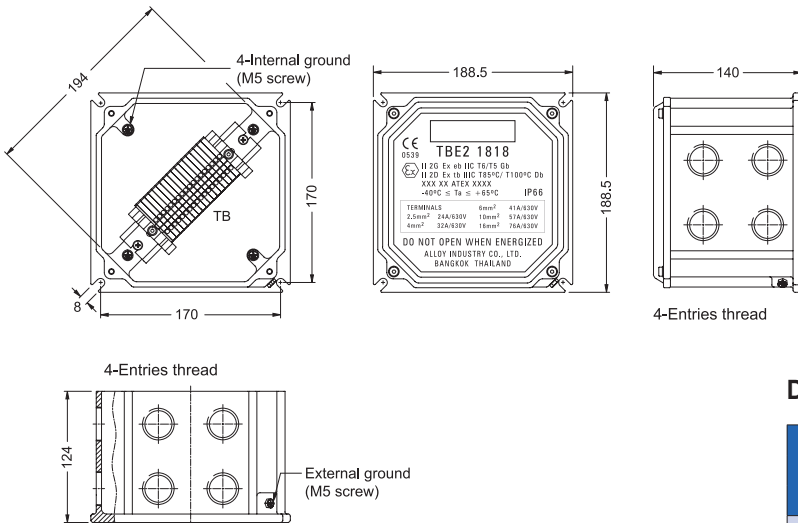
TBE2 1111



TBE2 1414



TBE2 1818



Dissipation Power Loss

Cat. No.	Temperature Class			
	T6	T5	T6	T5
	Ta +40°C		Ta +65°C	
TBE2 1111	21	28	9	16
TBE2 1414	34	45	15	26
TBE2 1818	69	92	31	54

Terminal Box Specification Sheet, Cat. No. TBE2 1111

Increased Safety and Dust protection by enclosure


Zone 1 & 2 – 21 & 22

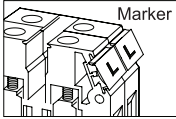


Project: _____ Date: _____
 Customer: _____ Owner: _____
 Contact person: _____
 Tel: _____ Fax: _____ E-mail: _____

Quantity (Set)	
----------------	--

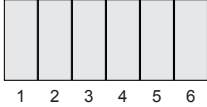
Terminal Block (TB) Specifications, Ex e type

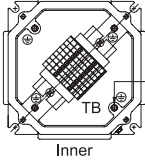




Marker

Terminal block arrangement





4- Internal ground (M5 screw)

Inner

Brand: **ABB ENTRELEC** (Certificate number LCIE 02 ATEX 0017U) *(Compression clamp terminal blocks)*

Rated cross section; 0.5-4.0 mm.² wire size, 30A. 275V. **Maximum terminal block; 6-poles (include PE)**

Model: DR4/6.Ex Q'ty _____ Poles Marker No. _____

Jumper Bar _____ Poles _____ Sets for Marker No. _____

Brand: **PHOENIX CONTACT** (Certificate number LCIE 08 ATEX 0007U) *(Compression clamp terminal blocks)*

Rated cross section; 0.5-4.0 mm.² wire size, 32A. 352V. **Maximum terminal block; 6-poles (include PE)**

Model: MUT 4 Q'ty _____ Poles Marker No. _____

Jumper Bar _____ Poles _____ Sets for Marker No. _____

Brand: **WAGO** (Certificate number PTB 98 ATEX 3129U) *(Case clamp spring terminal block)*

Rated cross section; 0.5-4.0 mm.² wire size, 23A. 550V. **Maximum terminal block; 5-poles**

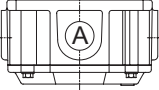
Model: 264-125 Q'ty _____ Poles Marker No. _____

Jumper Bar _____ Poles _____ Sets for Marker No. _____

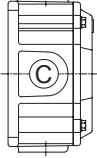
Note: _____

Entries Threads

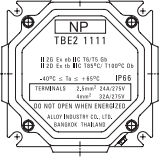
Maximum entries
3/4" NPT or M25x1.5



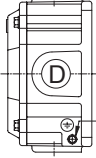
Top view



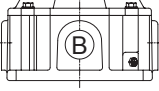
Left view



Front view



Right view



Bottom view

External ground

Top view
1-hole (center)

Bottom view
1-hole (center)

Left view
1-hole (center)

Right view
1-hole (center)

Nameplate (NP)
Letters

Material; Acrylic multipolymer (10 x 35mm.)
 Legend colour; Black letter, white background
 (Attach documents in case of more than one)





Project: _____ Date: _____
 Customer: _____ Owner: _____
 Contact person: _____
 Tel: _____ Fax: _____ E-mail: _____

Quantity (Set)	
-------------------	--

Terminal Block (TB) Specifications, Ex e type

Brand: **ABB ENTRELEC** (Certificate number LCIE 08 ATEX 0007U) *(Compression clamp terminal blocks)*

Rated cross section; 0.5-4.0 mm.² wire size, 32A. 630V. **Maximum terminal block; 8-poles (include PE)**

Model: ZS4 Q'ty _____ Poles _____ Marker No. _____
 Jumper Bar _____ Poles _____ Sets for Marker No. _____

Rated cross section; 0.5-6.0 mm.² wire size, 41A. 630V. **Maximum terminal block; 8-poles (include PE)**

Model: ZS6 Q'ty _____ Poles _____ Marker No. _____
 Jumper Bar _____ Poles _____ Sets for Marker No. _____

Brand: **PHOENIX CONTACT** (Certificate number KEMA 98 ATEX1651U) *(Compression clamp terminal blocks)*

Rated cross section; 0.5-2.5 mm.² wire size, 23A. 690V. **Maximum terminal block; 9-poles (include PE)**

Model: UK 3N Q'ty _____ Poles _____ Marker No. _____
 Jumper Bar _____ Poles _____ Sets for Marker No. _____

Rated cross section; 0.5-4.0 mm.² wire size, 30A. 690V. **Maximum terminal block; 8-poles (include PE)**

Model: UK 5N Q'ty _____ Poles _____ Marker No. _____
 Jumper Bar _____ Poles _____ Sets for Marker No. _____

Rated cross section; 1.5-6.0 mm.² wire size, 41A. 690V. **Maximum terminal block; 7-poles (include PE)**

Model: UK 6N Q'ty _____ Poles _____ Marker No. _____
 Jumper Bar _____ Poles _____ Sets for Marker No. _____

Brand: **WAGO** (Certificate number PTB 03 ATEX 1162U/ PTB 05 ATEX 1095U/ 1030U) *(Case clamp spring terminal block)*

Rated cross section; 0.5-2.5 mm.² wire size, 22A. 550V. **Maximum terminal block; 9-poles**

Model: 2002-1201 Q'ty _____ Poles _____ Marker No. _____
 Jumper Bar _____ Poles _____ Sets for Marker No. _____

Rated cross section; 0.5-4.0 mm.² wire size, 30A. 550V. **Maximum terminal block; 7-poles**

Model: 2004-1201 Q'ty _____ Poles _____ Marker No. _____
 Jumper Bar _____ Poles _____ Sets for Marker No. _____

Rated cross section; 1.5-6.0 mm.² wire size, 38A. 550V. **Maximum terminal block; 6-poles**

Model: 2006-1201 Q'ty _____ Poles _____ Marker No. _____
 Jumper Bar _____ Poles _____ Sets for Marker No. _____

Entries Threads

Top view

Front view

Right view

Left view

Bottom view

Maximum entries, 2-holes

A	B
C	D
E	F
G	H

3/4" NPT or M25x1.5

Nameplate (NP)

Letters _____

Top view

2-holes
 A _____
 B _____
 1-hole (center)
 I _____

Bottom view

2-holes
 C _____
 D _____
 1-hole (center)
 J _____

Left view

2-holes
 E _____
 F _____
 1-hole (center)
 K _____

Right view

2-holes
 G _____
 H _____
 1-hole (center)
 L _____

Nameplate (NP)

Letters _____

Material; Acrylic multipolymer (15 x 60mm.)
 Legend colour; Black letter, white background
(Attach documents in case of more than one)

Terminal Box Specification Sheet, Cat. No. TBE2 1818

Increased Safety and Dust protection by enclosure

Zone 1 & 2 – 21 & 22



Project: _____ Date: _____
 Customer: _____ Owner: _____
 Contact person: _____
 Tel: _____ Fax: _____ E-mail: _____

Quantity (Set)	
----------------	--

Terminal Block (TB) Specifications, Ex e type

Brand: **ABB ENTRELEC** (Compression clamp terminal blocks)

Model: _____ Q'ty _____ Poles _____ Marker No. _____
 Model: _____ Q'ty _____ Poles _____ Marker No. _____
 Jumper Bar _____ Poles _____ Sets for Marker No. _____

Brand: **PHOENIX CONTACT** (Compression clamp terminal blocks)

Model: _____ Q'ty _____ Poles _____ Marker No. _____
 Model: _____ Q'ty _____ Poles _____ Marker No. _____
 Jumper Bar _____ Poles _____ Sets for Marker No. _____

Brand: **WAGO** (Case clamp spring terminal block)

Model: _____ Q'ty _____ Poles _____ Marker No. _____
 Model: _____ Q'ty _____ Poles _____ Marker No. _____
 Jumper Bar _____ Poles _____ Sets for Marker No. _____

Entries Threads

Maximum entries, 4-holes

A	B
C	E

3/4" NPT or M25x1.5

Top view

2-holes		3-holes	
A1		E1	
B1		F1	
C1		G1	
D1			

Bottom view

2-holes		3-holes	
A2		E2	
B2		F2	
C2		G2	
D2			

Maximum entries, 3-holes

E	G
F	

1" NPT or M32x1.5

Left view

2-holes		3-holes	
A3		E3	
B3		F3	
C3		G3	
D3			

Right view

2-holes		3-holes	
A4		E4	
B4		F4	
C4		G4	
D4			

Nameplate (NP)

Letters

Material; Acrylic multipolymer (20 x 80mm.) Legend colour; Black letter, white background (Attach documents in case of more than one)