

# Lighting: LED Floodlight, NFDD Series

Restricted Breathing and Dust protection by enclosure

Zone 2 – 21 & 22



## Application

The NFDD marine grade aluminium alloy floodlight with highperformance photometrics is designed to withstand highly corrosive and zone 2 hazardous area environments

## Specification

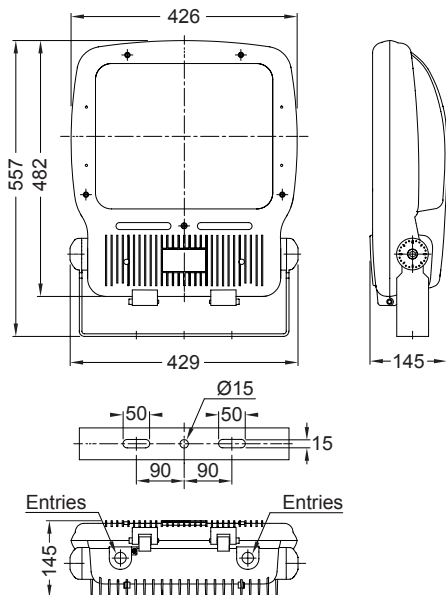
- Body material : Marine grade copper-free aluminium alloy with polyester powder coated, RAL 7032 (grey)  
(optional offshore painting-acrylic polyurethane coating)
- Lens : Heat and high impact resistant clear glass (4J impact)
- Bolts : Stainless steel, SUS 304 (optional SUS 316)
- Bracket : Hot-dip galvanized steel
- Sealing (O-ring) : Silicone

## LED System

- Luminous efficient : 120 lm/W
- Colour temperature : Standard 5700 K (daylight)  
(optional 3000K, 3500K, 4000K, 4500K, 5000K, 6500K etc.)
- Color Rendering Index (Ra) : ≥ 80
- Chip : LUXEON 5050 - LumiLEDs  
(optional Cree, Bridgelux, Nichia)
- Beam angle : Average 100° without lens  
30°, 60°, 90° with lens  
(other beam angle, please specify)
- Lifespan : >50,000 Hrs.  
(70% lumen maintenance)



## Dimension

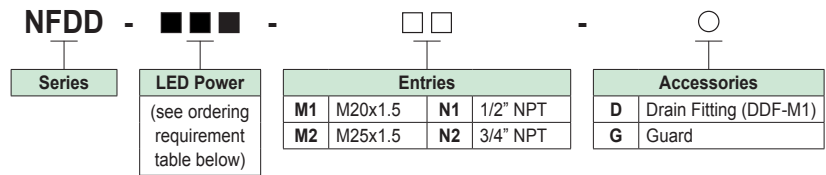


Drain Fitting for 100-240W.

## Technical Data

<b>Hazardous Area</b>	<b>Gas</b>	<b>Dust</b>
<b>Zones</b>	<b>2</b>	<b>21 &amp; 22</b>
<b>Equipment Group/Category</b>	Ex II 3G	Ex II 2D
<b>Symbol of Protection</b>	Ex nR IIC T6..T4 Gc	Ex tb IIIC T85°C..T130°C Db
<b>Certificate No.</b>	KDB 23 ATEX 0034X IECEx KDB 23.0010X	
<b>Conformity to standards</b>	EN IEC 60079-0:2018, EN 60079-15:2010, EN 60079-31:2014 IEC 60079-0:2017, IEC 60079-15:2010, EN 60079-31:2013	
<b>Ambient Temperature</b>	-40°C to +60°C	
<b>Index of Protection</b>	IP66/ IK10	
<b>Entries</b>	2- M20x1.5, 2- M25x1.5 (1-stopping plug) or 2- 1/2" NPT, 2- 3/4" NPT (1-stopping plug)	
<b>Mounting</b>	Bracket mounting	
<b>Connection</b>	L, N and PE ; for 1-4mm. <sup>2</sup> cable (Through wiring system with an extra terminal block for cable connection at both ends.)	
<b>Rated Voltage</b>	110-240V.ac 50/60Hz., THDi < 20%, P.F. ≥ 0.95	

## Catalogue Number Logic



## Ordering Requirements

Cat. No.	LED Power	Voltage	Temp. Class (for zone 2)		Max. Surface Temp.* (for zone 21 & 22)		Approx. Weight (kgs.)
			Ta 40°C	Ta 60°C	Ta 40°C	Ta 60°C	
NFDD-100 - □□ - □○	100W.	110-240V.ac 50/60Hz.	T6	T6	T85°C	T85°C	15.0
NFDD-110 - □□ - □○	110W.						
NFDD-120 - □□ - □○	120W.						
NFDD-130 - □□ - □○	130W.						
NFDD-140 - □□ - □○	140W.						
NFDD-150 - □□ - □○	150W.						
NFDD-160 - □□ - □○	160W.						
NFDD-170 - □□ - □○	170W.						
NFDD-180 - □□ - □○	180W.						
NFDD-190 - □□ - □○	190W.						
NFDD-200 - □□ - □○	200W.	110-240V.ac 50/60Hz.	T5	T4	T95°C	T130°C	16.0
NFDD-210 - □□ - □○	210W.						
NFDD-220 - □□ - □○	220W.						
NFDD-230 - □□ - □○	230W.						
NFDD-240 - □□ - □○	240W.						
NFDD-250 - □□ - □○	250W.						
NFDD-260 - □□ - □○	260W.						
NFDD-270 - □□ - □○	270W.						
NFDD-280 - □□ - □○	280W.						
NFDD-290 - □□ - □○	290W.						
NFDD-300 - □□ - □○	300W.						
NFDD-310 - □□ - □○	310W.						
NFDD-320 - □□ - □○	320W.						
NFDD-330 - □□ - □○	330W.						
NFDD-340 - □□ - □○	340W.						

Remark \* : The maximum surface temperatures are specified for dust free condition. The dust layer which may cover around the lighting fixture will cause higher surface temperature.

