

# Enclosure: Junction Box with Terminals (Stainless Steel), JBE2 Series

Increased Safety and Dust protection by enclosure

Zone 1 & 2 – 21 & 22

## Application

The JBE2 junction boxes are designed for instrument, control and distribution panel. They are suitable for Ex e increased safety equipment or Ex i intrinsic safe terminal blocks for hazardous areas, zone 1, 2 and zone 21, 22.

## Specification

Housing material : Stainless steel, SUS 304 or SUS 316  
1.2, 1.5 or 2.0 mm. thickness  
Sealing gasket : Neoprene (CR)  
Bolts : Stainless steel, SUS 304 or SUS 316

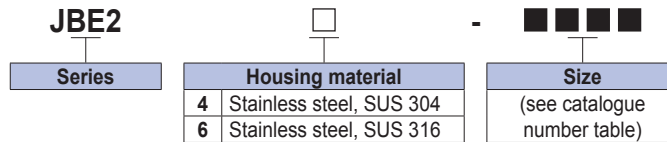
## Electrical Rating

Rated voltage : up to 750V. (non-intrinsic safe circuit)  
up to 375V. (intrinsic safe circuit)  
Rated current : up to 125A.  
(depending on type of terminal used)

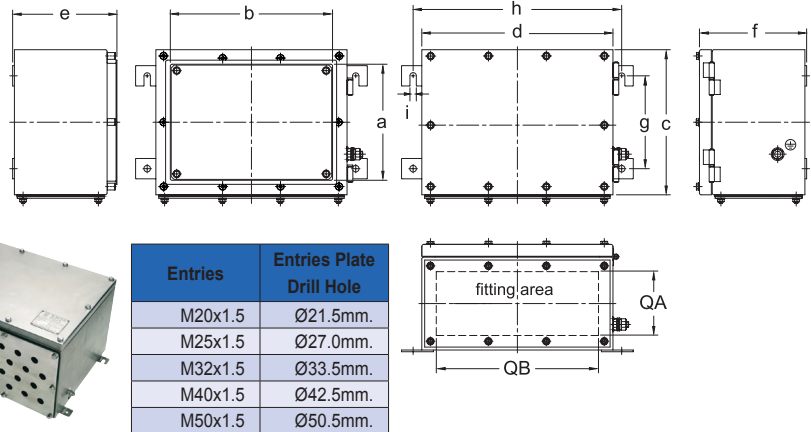
## Technical Data

<b>Hazardous Area</b>	<b>Gas</b>	<b>Dust</b>
<b>Zones</b>	1 & 2	21 & 22
<b>Equipment Group/Category</b>	II 2G	II 2D
<b>Symbol of Protection</b>	Ex e II T6/T5 or Ex e ib IIC T6/T5	Ex tD A21 IP66 T80°C/ T95°C
<b>Certificate No.</b>	PTB 07 ATEX 1073	
<b>Conformity to Standards</b>	EN 60079-0:2006, EN 60079-7:2007, EN 60079-11:2007, EN 61241-0:2006, EN 61241-1:2004	
<b>Ambient Temperature</b>	-20°C to +55°C	
<b>Index of Protection</b>	IP66	
<b>Entries</b>	Metric threads (recommend for IP66)	
<b>Mounting</b>	Wall mount	

## Catalogue Number Logic



## Dimension



## Ordering Requirements

Cat. No.	Maximum entries thread size (Metric)					Dimension in mm.											Thk.	Empty Weight (kgs.)
	M20x1.5	M25x1.5	M32x1.5	M40x1.5	M50x1.5	Internal		External			Mounting			Fitting Area				
						a	b	c	d	e	f	g	h	i	QA	QB		
JBE2□-2424	7	7	5	3	2	190	190	240	240	180	185	150	270	10	150	230	1.2	5.15
JBE2□-2533	9	9	8	4	3	200	280	250	330	180	185	160	360	10	150	320	1.2	6.25
JBE2□-2742	20	20	17	8	7	220	370	270	420	235	240	180	450	10	205	410	1.5	6.55
JBE2□-3043	20	20	17	8	7	250	385	300	435	235	240	210	465	10	205	425	1.5	8.58
JBE2□-3243	26	26	22	10	7	270	385	320	435	270	275	230	465	10	240	425	1.5	9.65
JBE2□-3447	30	30	24	12	8	290	420	340	470	270	275	230	640	10	240	460	1.5	11.58
JBE2□-3261	38	38	32	16	10	270	560	320	610	270	275	250	500	10	240	600	2.0	16.55
JBE2□-3465	42	42	36	12	11	290	600	340	650	270	275	250	680	10	240	640	2.0	17.65
JBE2□-3670	46	46	38	14	12	310	650	360	700	270	275	270	730	10	240	690	2.0	20.15
JBE2□-3675	50	50	42	16	13	310	700	360	750	270	275	270	780	10	240	740	2.0	24.15
JBE2□-3880	54	52	44	16	14	330	750	380	800	270	275	290	830	10	240	790	2.0	32.25
JBE2□-4085	56	56	48	18	15	350	800	400	850	270	275	310	880	10	240	840	2.0	35.65

# Enclosure: Junction Box with Terminals (Stainless Steel), JBE2 Series

Increased Safety and Dust protection by enclosure

Zone 1 & 2 – 21 & 22



## Terminal Selection Chart

TB Model	Rated Current	Rated Voltage	Wire Size	Maximum Numbers of Terminals (Respective to the Temperature Class)					
				JBE2 □ -2424	JBE2 □ -2533	JBE2 □ -2742	JBE2 □ -3043	JBE2 □ -3243	JBE2 □ -3447

### Brand: Entelec

ZS4	32A.	630V.	0.5-4.0mm. <sup>2</sup>	12	26	40	48	56	64
ZS6	41A.	630V.	0.5-6.0mm. <sup>2</sup>	8	18	28	36	40	48
ZS10	57A.	630V.	1.5-10.0mm. <sup>2</sup>	6	14	24	28	32	36
ZS16	76A.	630V.	1.5-16.0mm. <sup>2</sup>	4	12	18	18	18	24
ZS35	125A.	630V.	4.0-35.0mm. <sup>2</sup>	–	4	4	12	12	14

### Brand: Weidmüller

WDU2.5	21A.	550V.	0.5-2.5mm. <sup>2</sup>	14	30	48	60	68	76
WDU4	28A.	550V.	0.5-4.0mm. <sup>2</sup>	12	26	40	48	56	64
WDU6	36A.	550V.	0.5-6.0mm. <sup>2</sup>	8	18	28	36	40	48
WDU10	50A.	550V.	1.5-10.0mm. <sup>2</sup>	6	14	24	28	32	36
WDU16	66A.	690V.	1.5-16.0mm. <sup>2</sup>	4	12	18	18	18	24
WDU35	109A.	690V.	2.5-35.0mm. <sup>2</sup>	–	4	4	12	12	14

JBE2 □ -3261	JBE2 □ -3465	JBE2 □ -3670	JBE2 □ -3675	JBE2 □ -3880	JBE2 □ -4085
--------------	--------------	--------------	--------------	--------------	--------------

### Brand: Entelec

ZS4	32A.	630V.	0.5-4.0mm. <sup>2</sup>	84	90	102	112	132	140
ZS6	41A.	630V.	0.5-6.0mm. <sup>2</sup>	60	66	72	84	100	104
ZS10	57A.	630V.	1.5-10.0mm. <sup>2</sup>	42	48	60	68	76	84
ZS16	76A.	630V.	1.5-16.0mm. <sup>2</sup>	20	24	28	42	76	84
ZS35	125A.	630V.	4.0-35.0mm. <sup>2</sup>	16	20	20	20	30	36

### Brand: Weidmüller

WDU2.5	21A.	550V.	0.5-2.5mm. <sup>2</sup>	96	108	126	136	156	168
WDU4	28A.	550V.	0.5-4.0mm. <sup>2</sup>	84	90	102	112	132	140
WDU6	36A.	550V.	0.5-6.0mm. <sup>2</sup>	60	66	72	84	100	104
WDU10	50A.	550V.	1.5-10.0mm. <sup>2</sup>	42	48	60	68	76	84
WDU16	66A.	690V.	1.5-16.0mm. <sup>2</sup>	20	24	28	42	76	84
WDU35	109A.	690V.	2.5-35.0mm. <sup>2</sup>	16	20	20	20	30	36



