

Lighting: Incan., Compact Flu. and LED Bulb Lighting Fixture and Photocell Switch (Photo Electric), DLF1-IN, DLF1-FC, DLF1-LED and DLF1-PH Series

Flameproof/ Increased Safety and Dust protection by enclosure

Zone 1 & 2 – 21 & 22



Specification

- Body material : Marine grade copper-free aluminium alloy with polyester powder coated, RAL 7032 (grey) (optional offshore painting-acrylic polyurethane coating)
- Glass globe : Borosilicate glass
- Sealing (O-ring) : Silicone
- Bracket : Hot-dip galvanized steel (optional SS 304 or SS 316)
- Bolts : Stainless steel, SS 304 (optional SS 316)
- Reflector : Anodized aluminium
- Basket guard : Stainless steel, SS 304 (optional SS 316)



Technical Data

Hazardous Area	Gas	Dust
Zones	1 & 2	21 & 22
Equipment Group/Category	Ex II 2G	Ex II 2D
Symbol of Protection	Ex db eb IIC T** Gb	Ex tb IIIC T**C Db
Certificate	TÜV CY 18 ATEX 0206011X	
Conformity to Standards	EN IEC 60079-0, EN 60079-1, EN IEC 60079-7, EN IEC 60079-31	
Ambient Temperature	-20°C to +55°C	
Index of Protection	IP66	
Entry Threads	2x M20x1.5, 2x M25x1.5 (1x stopping plug) or 2x 1/2" NPT, 2x 3/4" NPT (1x stopping plug)	
Mounting	Ceiling or Bracket mounting (standard) (Optional mounting ; 2x M10 eye bolts, clamps for pipe)	
Connection	L, N and PE ; for 1-4 mm ² cable (Through wiring system with an extra terminal block for cable connection at both ends.)	
Rated Voltage	220/ 230/ 240 V AC ±5%, 50/60 Hz	

** See temperature class on catalogue number table.

Catalogue Number Logic

Incandescent and Compact Fluorescent

DLF1 - ■ ■ - ■ ■ ■ **22** □

Series	Lamp type	Lamp watt	Voltage	Accessories	Mounting type	Entry threads
IN	Incandescent	60 60 W	22 220 V AC, 50 Hz	R Reflector	C Ceiling	M1 M20x1.5
FC	Compact fluorescent	100 100 W		G Basket guard	B Bracket	M2 M25x1.5
		150 150 W				N1 1/2" NPT
		200 200 W				N2 3/4" NPT
		10 10 W				
		13 13 W				
		18 18 W				

LED Bulb

DLF1 - LED ■ ■ - ■ ■ ■ □

Series	Lamp type	Lamp watt	Voltage	Accessories	Mounting type	Entry threads
LED	LED bulb	06 6 W	1D 12 V DC	R Reflector	C Ceiling	M1 M20x1.5
		07 7 W	2D 24 V DC	G Basket guard	B Bracket	M2 M25x1.5
		09 9 W	3D 120 V DC			N1 1/2" NPT
		10 10 W	11 110 V AC			N2 3/4" NPT
			24 220-240 V AC			

Photocell Switch (Photo Electric)

DLF1 - PH ■ ■ - ■ ■ ■ □

Series	Type	Ampere	Voltage	Mounting type	Entry threads
PH	Photocell	06 6 A	24 220-240 V AC, 50/60 Hz	C Ceiling	M1 M20x1.5
		10 10 A		B Bracket	M2 M25x1.5
		15 15 A			N1 1/2" NPT
					N2 3/4" NPT

Diagram-C

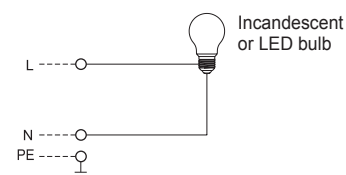


Diagram-D

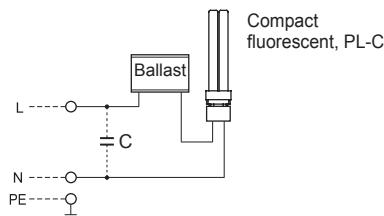
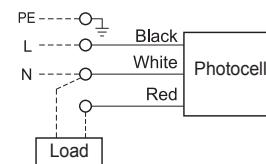


Diagram-E



Standard lighting; 31.5-125 lux

Ordering Requirements

Cat. No.	Lamp watt	Voltage	Control Gear (Lamp/ Ballast/ Ignitor)	Temp. Class (for zone 1 & 2)		Max. Surface Temp.* (for zone 21 & 22)		Wiring diagram	Approx. weight (kg)
				Ta 40°C	Ta 55°C	Ta 40°C	Ta 55°C		
Incandescent lamp									
DLF1-IN-06022	60 W	220 V AC, 50 Hz	"Philips" GLS Clear	T6	T6	T75°C	T75°C	Dia-C	8.5
DLF1-IN-10022	100 W			T4	T4	T120°C	T120°C		
DLF1-IN-15022	150 W		"Super Lamp"	T4	T4	T125°C	T125°C		
DLF1-IN-20022	200 W			T3	T3	T175°C	T175°C		
Compact fluorescent lamp									
DLF1-FC-1022	10 W	220 V AC, 50 Hz	"Philips" PL-C (with Ballast)	T6	T6	T65°C	T65°C	Dia-D	8.7
DLF1-FC-1322	13 W								
DLF1-FC-1822	18 W								
LED bulb									
DLF1-LED-061D	6 W	12 V DC	-	T6	T6	T65°C	T65°C	Dia-C	8.5
DLF1-LED-071D	7 W								
DLF1-LED-091D	9 W								
DLF1-LED-101D	10 W	24 V DC	-	T6	T6	T65°C	T65°C	Dia-C	8.5
DLF1-LED-062D	6 W								
DLF1-LED-072D	7 W								
DLF1-LED-092D	9 W								
DLF1-LED-102D	10 W	120 V DC	-	T6	T6	T65°C	T65°C	Dia-C	8.5
DLF1-LED-063D	6 W								
DLF1-LED-073D	7 W								
DLF1-LED-093D	9 W	110 V AC	-	T6	T6	T65°C	T65°C	Dia-C	8.5
DLF1-LED-103D	10 W								
DLF1-LED-0611	6 W								
DLF1-LED-0711	7 W								
DLF1-LED-0911	9 W	220-240 V AC	-	T6	T6	T65°C	T65°C	Dia-C	8.5
DLF1-LED-1011	10 W								
DLF1-LED-0624	6 W								
DLF1-LED-0724	7 W								
DLF1-LED-0924	9 W	10 W	-	T6	T6	T65°C	T65°C	Dia-C	8.5
DLF1-LED-1024	10 W								

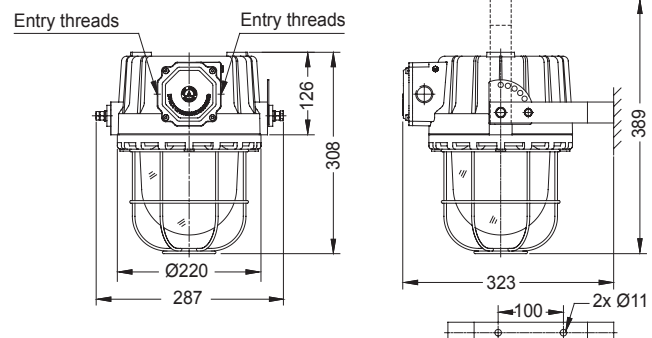
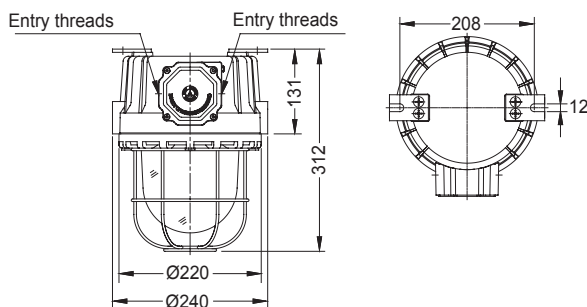
Photocell Switch (Photo Electric)

Cat. No.	Amp.	Voltage	Temp. Class (for zone 1 & 2)		Max. Surface Temp.* (for zone 21 & 22)		Wiring diagram	Approx. weight (kg)
			Ta 40°C	Ta 55°C	Ta 40°C	Ta 55°C		
DLF1-PH-0624	6 A	220-240 V AC, 50/60 Hz	T6	T6	T80°C	T80°C	Dia-E	8.5
DLF1-PH-1024	10 A							
DLF1-PH-1524	15 A							

Dimensions (in mm)

Ceiling mount

Bracket mount



Remark *: The maximum surface temperatures are specified for dust free condition. The dust layer which may cover around the lighting fixture will cause to higher surface temperature.