

Application

The VFD series has been designed for Zone 2, Zone 21, and Zone 22.

These efficient floodlights are suitable for illuminating large areas such as industrial complexes, ship loading zones, and hazardous environments.

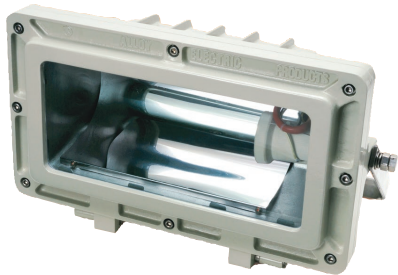
Specification

- Body material : Marine grade copper-free aluminium alloy with polyester powder coated, RAL 7032 (grey)
- Lens : Heat and impact resistant clear glass
- Bolts : Stainless steel, SS 304
- Bracket : Hot-dip galvanized steel
- Internal reflector : Anodized aluminium
- Sealing (O-ring) : Silicone

Technical Data

Hazardous Area	Gas	Dust
Zones	2	21 & 22
Equipment Group/Category	II 3G	II 2D
Symbol of Protection	Ex nR IIC T** Gc	Ex tb IIIC T** °C Db
Conformity to Standards	EN IEC 60079-0, EN IEC 60079-15, EN IEC 60079-31	
Ambient Temperature	-20°C to +55°C	
Index of Protection	IP66	
Entry Threads	1 hole standard (M20x1.5, M25x1.5, 1/2" NPT or 3/4" NPT), 2 holes are optional	
Mounting	Bracket mounting	
Connection	L, N and PE ; for 1-4 mm ² cable	
Rated Voltage	220, 230 V AC ±5%, 50 Hz	

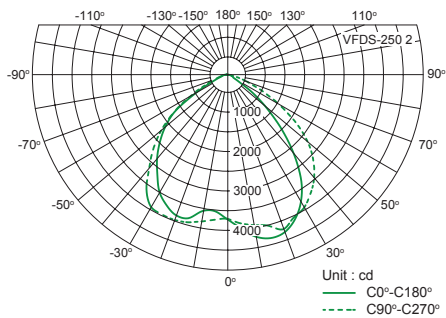
** See temperature class on catalogue number table.



Catalogue Number Logic

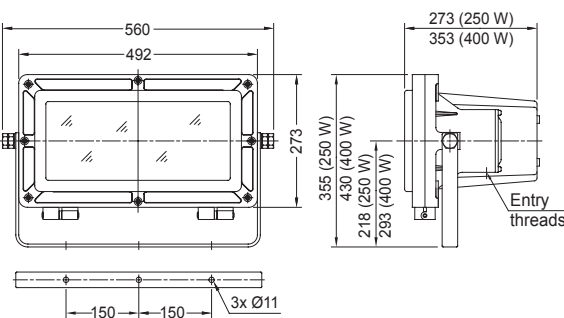
VFD ■	- ■ ■ ■	■	-	□ □
Series	Lamp watt (see ordering requirement table below)	Voltage	Entry threads	
VFDM Mercury vapor	2 220 V AC	2 220 V AC	M1 M20x1.5	N1 1/2" NPT
VFDS High pressure sodium	3 230 V AC	3 230 V AC	M2 M25x1.5	N2 3/4" NPT
VFDH Metal halide				

Luminous Intensity Distribution Curve

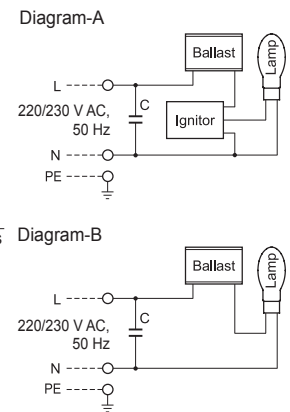


Complete photometrics, please contact us.

Dimensions (in mm)



Wiring Diagram



Ordering Requirements

Cat. No.	Lamp watt	Voltage	Lamp/ Ballast/ Ignitor	Temp. Class (for zone 2)		Max. Surface Temp.* (for zone 21 & 22)		Wiring diagram	Approx. weight (kg)
				Ta 40°C	Ta 55°C	Ta 40°C	Ta 55°C		
Mercury vapor lamp									
VFDM-2502 - □ □	250 W	220 V AC, 50 Hz	HPL-N 250W / Q250.513 / -	T4	T3	T130°C	T160°C	Dia-B	24.5
VFDM-4002 - □ □	400 W		HPL-N 400W / Q400.616 / -	T3	T3	T165°C	T180°C		27.2
VFDM-2503 - □ □	250 W	230 V AC, 50 Hz	HPL-N 250W / Q250.528 / -	T4	T3	T130°C	T165°C	Dia-B	24.5
High pressure sodium lamp									
VFDS-2502 - □ □	250 W	220 V AC, 50 Hz	SON-T 250W / NaHJ250.160 / Z400M	T4	T3	T130°C	T160°C	Dia-A	24.5
VFDS-4002 - □ □	400 W		SON-T 400W / NaHJ400.162 / Z400M	T3	T3	T160°C	T180°C		27.2
VFDS-4003 - □ □	400 W	230 V AC, 50 Hz	SON-T 400W / NaHJ400.006 / Z400M	T3	T3	T160°C	T180°C	Dia-A	27.2
Metal halide lamp									
VFDH-2502 - □ □	250 W	220 V AC, 50 Hz	HPI-T PLUS-250W / Q250.513 / Z400M	T4	T3	T135°C	T175°C	Dia-A	24.5
VFDH-4002 - □ □	400 W		HPI-T PLUS-400W / Q400.616 / Z400M	T3	T3	T165°C	T180°C	Dia-A	27.2
VFDH-2503 - □ □	250 W	230 V AC, 50 Hz	HPI-T PLUS-250W / Q250.528 / Z400M	T4	T3	T135°C	T160°C	Dia-A	24.5

Remark * : The maximum surface temperatures are specified for dust free condition. The dust layer which may cover around the lighting fixture will cause to higher surface temperature.