

Lighting: Fluorescent & Tube Lighting Fixture, DFPE Series

Flameproof/ Increased Safety and Dust protection by enclosure

Zone 1 & 2 – 21 & 22

Application

The DFPE series can be used worldwide and is suitable for lighting applications in hazardous areas, such as onshore and offshore platforms or refineries. The different light families ensure optimal performance in various environments.

The DFPE series consists of a glass tube with two end caps. It is designed for the installation of both single and double T5 and T8 bi-pin fluorescent or LED tubes. The end cap and threaded housing contain the ballast and terminal connections.

Specification

- Body material : Marine grade copper-free aluminium alloy with polyester powder coated, RAL 7032 (grey) (optional offshore painting-acrylic polyurethane coating)
- Glass tube : Borosilicate glass (4J impact)
- Reflector : Sheet steel with polyester powder coated, RAL 9016 (white)
- Protective guard : Stainless steel, SS 304 (optional SS 316)
- Bolts : Stainless steel, SS 304 (optional SS 316)
- Sealing (O-ring) : Silicone

Product Features

- LED tube : meet TIS 2779-2562
- LED PCB : Cree JK3030 chip
- Colour Rendering Index (CRI) : ≥80
- Colour temperature : 3,000 K, 5,700 K or 6,500 K
- Luminous efficacy : LED tube; 100-150 lm/W
LED PCB; 125-140 lm/W
- Beam angle : LED tube; average 115-120°
LED PCB; 115-120° with lens
30°, 60°, 90° with lens

Fixture Life

LED tube (Epistar)

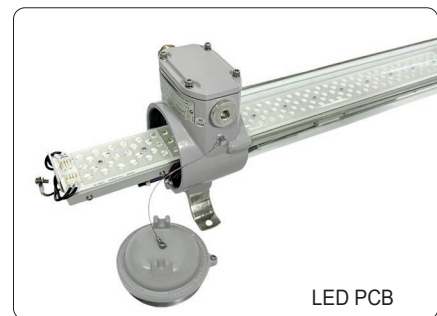
- L70 - rated lifetime of 54,000 hours at an ambient temperature of 100°C.

LED PCB (Cree)

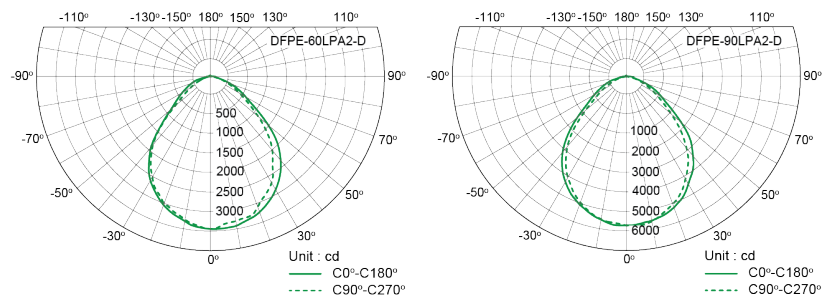
- L70 - Rated lifetime of 72,000 hours at ambient temperatures of 85°C.
- L80 - Rated lifetime of 71,900 hours at ambient temperatures of 85°C.
- L90 - Rated lifetime of 35,400 hours at ambient temperatures of 85°C.

Technical Data

Hazardous Area	Gas	Dust
Zones	1 & 2	21 & 22
Equipment Group/Category	Ex II 2G	Ex II 2D
Symbol of Protection	Ex db eb IIC T6 Gb	Ex tb IIIC T85°C Db
Certificate No.	KDB 24 ATEX 0023X IECEx KDB 24.0006X	
Conformity to Standards	EN IEC 60079-0, EN 60079-1, EN IEC 60079-7, EN IEC 60079-31 IEC 60079-0, IEC 60079-1, IEC 60079-7, IEC 60079-31	
Ambient Temperature	-20°C to +60°C/ 0°C to +55°C (with emergency battery) -40°C to +60°C (option)	
Index of Protection	IP66	
Entry Threads	2x M20x1.5, 2x M25x1.5 (1x stopping plug) or 2x 1/2" NPT, 2- 3/4" NPT (1x stopping plug)	
Mounting	Ceiling, Pendant, Bracket, Stanchion or Pole mount	
Connection	L, N and PE ; for 1-4 mm ² cable (Through wiring system with an extra terminal block for cable connection at both ends.)	
Rated Voltage	110-240 V AC, 50/60 Hz (P.F. ≥ 0.98)	



Luminous Intensity Distribution Curve



Electrical for Emergency unit

- Operation : Maintained mode
- Battery : Ni-MH, 7.2 V, 2.5 Ah
- Recharge time : 16-24 hours, continuous battery recharge
- Emergency starting time : ≤ 0.5 seconds
- Emergency duration : 120 minutes (2 hours)
(optional Ni-MH, 7.2 V, 2x 2.5 Ah battery for 3 hours)

Lighting: Fluorescent & LED Lighting Fixture, DFPE Series

Flameproof/ Increased Safety and Dust protection by enclosure

Zone 1 & 2 – 21 & 22



Catalogue Number Logic (Normal Light)

DFPE - ■■■■ ■■■■ ■■ - D ○ - □ - □ - ○								
Series	Lamp watt (see ordering requirement table below)	Lamp type L4 Fluorescent lamp LT LED tube LP LED PCB	Rated voltage A1 220-240 V AC A2 110-240 V AC D1 24-42 V DC	LED driver none Built-in driver D Driver required	Accessories G Protective guard R External reflector	Entry threads M1 M20x1.5 M2 M25x1.5 N1 1/2" NPT N2 3/4" NPT	Mounting type C Ceiling (standard) C1 Ceiling (for pipe), Fixed C2 Ceiling (for pipe), Swing P1 Pendant (for chain) P2 Pendant (for pipe) B Bracket	Option SP Surge Protection 10 kA, 8/20 μs

Ordering Requirements and Dimensions

Cat. No.	Lamp watt	Voltage	Ballast or Driver	Temp. Class (for zone 1 & 2)		Max. Surface Temp.* (for zone 21 & 22)		Volume (cm ³)	Dimensions in mm		Approx. weight (kg)			
				Ta 40 °C	Ta 60 °C	Ta 40 °C	Ta 60 °C		a	b				
T8 fluorescent lamp														
DFPE-118L4A1 - ○ - □□ - ○	1x 18 W	220-240 V AC, 50/60 Hz	Electronic	T6	T6	T85°C	T85°C	3,950	755	645	7.47			
DFPE-218L4A1 - ○ - □□ - ○	2x 18 W										7.62			
DFPE-136L4A1 - ○ - □□ - ○	1x 36 W										7,020	1,370	1,258	10.98
DFPE-236L4A1 - ○ - □□ - ○	2x 36 W													11.27
T5 fluorescent lamp														
DFPE-114L4A1 - ○ - □□ - ○	1x 14 W	220-240 V AC, 50/60 Hz	Electronic	T6	T6	T85°C	T85°C	3,950	755	645	7.46			
DFPE-214L4A1 - ○ - □□ - ○	2x 14 W										7.65			
DFPE-128L4A1 - ○ - □□ - ○	1x 28 W										7,020	1,370	1,258	10.95
DFPE-228L4A1 - ○ - □□ - ○	2x 28 W													11.25
LED tube (Single-ended, Built-in driver)														
DFPE-105LTA2 - ○ - □□ - ○	1x 5 W	110-240 V AC, 50/60 Hz	-	T6	T6	T85°C	T85°C	3,950	755	645	5.40			
DFPE-205LTA2 - ○ - □□ - ○	2x 5 W										5.70			
DFPE-106LTA2 - ○ - □□ - ○	1x 6 W										5.40			
DFPE-206LTA2 - ○ - □□ - ○	2x 6 W										5.70			
DFPE-107LTA2 - ○ - □□ - ○	1x 7 W										5.40			
DFPE-207LTA2 - ○ - □□ - ○	2x 7 W										5.70			
DFPE-108LTA2 - ○ - □□ - ○	1x 8 W										5.40			
DFPE-208LTA2 - ○ - □□ - ○	2x 8 W										5.70			
DFPE-109LTA2 - ○ - □□ - ○	1x 9 W										5.40			
DFPE-209LTA2 - ○ - □□ - ○	2x 9 W										5.70			
DFPE-114LTA2 - ○ - □□ - ○	1x 14 W	110-240 V AC, 50/60 Hz	-	T6	T6	T85°C	T85°C	7,020	1,370	1,258	9.95			
DFPE-214LTA2 - ○ - □□ - ○	2x 14 W										10.26			
DFPE-115LTA2 - ○ - □□ - ○	1x 15 W										9.95			
DFPE-215LTA2 - ○ - □□ - ○	2x 15 W										10.26			
DFPE-116LTA2 - ○ - □□ - ○	1x 16 W										9.95			
DFPE-216LTA2 - ○ - □□ - ○	2x 16 W										10.26			
DFPE-117LTA2 - ○ - □□ - ○	1x 17 W										9.95			
DFPE-217LTA2 - ○ - □□ - ○	2x 17 W										10.26			
DFPE-118LTA2 - ○ - □□ - ○	1x 18 W										9.95			
DFPE-218LTA2 - ○ - □□ - ○	2x 18 W										10.26			
DFPE-119LTA2 - ○ - □□ - ○	1x 19 W										9.95			
DFPE-219LTA2 - ○ - □□ - ○	2x 19 W										10.26			
DFPE-120LTA2 - ○ - □□ - ○	1x 20 W										9.95			
DFPE-220LTA2 - ○ - □□ - ○	2x 20 W										10.26			
DFPE-121LTA2 - ○ - □□ - ○	1x 21 W										9.95			
DFPE-221LTA2 - ○ - □□ - ○	2x 21 W										10.26			
DFPE-122LTA2 - ○ - □□ - ○	1x 22 W										9.95			
DFPE-222LTA2 - ○ - □□ - ○	2x 22 W										10.26			
DFPE-123LTA2 - ○ - □□ - ○	1x 23 W										9.95			
DFPE-223LTA2 - ○ - □□ - ○	2x 23 W										10.26			
DFPE-124LTA2 - ○ - □□ - ○	1x 24 W	9.95												
DFPE-224LTA2 - ○ - □□ - ○	2x 24 W	10.26												
DFPE-125LTA2 - ○ - □□ - ○	1x 25 W	11.26												
DFPE-225LTA2 - ○ - □□ - ○	2x 25 W	11.66												

Remark *: The maximum surface temperatures are specified for dust free condition. The dust layer which may cover around the lighting fixture will cause to higher surface temperature.



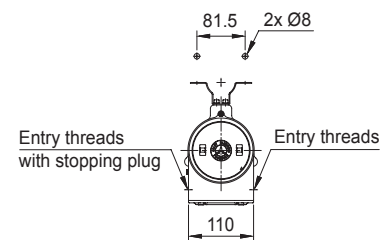
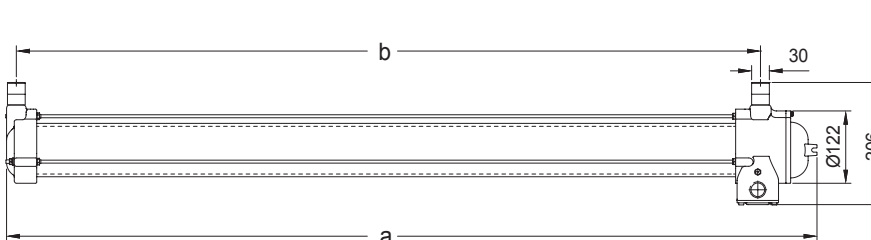
Lighting: Fluorescent & Tube Lighting Fixture, DFPE Series

Flameproof/ Increased Safety and Dust protection by enclosure

Zone 1 & 2 – 21 & 22

Ordering Requirements and Dimensions

Cat. No.	Lamp watt	Voltage	Ballast or Driver	Temp. Class (for zone 1 & 2)		Max. Surface Temp.* (for zone 21 & 22)		Volume (cm ³)	Dimensions in mm		Approx. weight (kg)
				Ta 40°C	Ta 60°C	Ta 40°C	Ta 60°C		a	b	
LED tube (72 V DC, Double-ended)											
DFPE-105LTA2 -D ○ - □ □ - ○	1x 5 W	110-240 V AC, 50/60 Hz	LED driver	T6	T6	T85°C	T85°C	3,950	755	645	5.60
DFPE-205LTA2 -D ○ - □ □ - ○	2x 5 W										5.90
DFPE-106LTA2 -D ○ - □ □ - ○	1x 6 W										5.60
DFPE-206LTA2 -D ○ - □ □ - ○	2x 6 W										5.90
DFPE-107LTA2 -D ○ - □ □ - ○	1x 7 W										5.60
DFPE-207LTA2 -D ○ - □ □ - ○	2x 7 W										5.90
DFPE-108LTA2 -D ○ - □ □ - ○	1x 8 W										5.60
DFPE-208LTA2 -D ○ - □ □ - ○	2x 8 W										5.90
DFPE-109LTA2 -D ○ - □ □ - ○	1x 9 W										5.60
DFPE-209LTA2 -D ○ - □ □ - ○	2x 9 W										5.90
DFPE-114LTA2 -D ○ - □ □ - ○	1x 14 W	110-240 V AC, 50/60 Hz	LED driver	T6	T6	T85°C	T85°C	7,020	1,370	1,258	8.60
DFPE-214LTA2 -D ○ - □ □ - ○	2x 14 W										8.80
DFPE-115LTA2 -D ○ - □ □ - ○	1x 15 W										8.60
DFPE-215LTA2 -D ○ - □ □ - ○	2x 15 W										8.80
DFPE-116LTA2 -D ○ - □ □ - ○	1x 16 W										8.60
DFPE-216LTA2 -D ○ - □ □ - ○	2x 16 W										8.80
DFPE-117LTA2 -D ○ - □ □ - ○	1x 17 W										8.60
DFPE-217LTA2 -D ○ - □ □ - ○	2x 17 W										8.80
DFPE-118LTA2 -D ○ - □ □ - ○	1x 18 W										8.60
DFPE-218LTA2 -D ○ - □ □ - ○	2x 18 W										8.80
DFPE-119LTA2 -D ○ - □ □ - ○	1x 19 W										8.60
DFPE-219LTA2 -D ○ - □ □ - ○	2x 19 W										8.80
DFPE-120LTA2 -D ○ - □ □ - ○	1x 20 W										8.60
DFPE-220LTA2 -D ○ - □ □ - ○	2x 20 W										8.80
DFPE-121LTA2 -D ○ - □ □ - ○	1x 21 W										8.60
DFPE-221LTA2 -D ○ - □ □ - ○	2x 21 W										8.80
DFPE-122LTA2 -D ○ - □ □ - ○	1x 22 W										8.60
DFPE-222LTA2 -D ○ - □ □ - ○	2x 22 W										8.80
DFPE-123LTA2 -D ○ - □ □ - ○	1x 23 W										8.60
DFPE-223LTA2 -D ○ - □ □ - ○	2x 23 W										8.80
DFPE-124LTA2 -D ○ - □ □ - ○	1x 24 W										8.60
DFPE-224LTA2 -D ○ - □ □ - ○	2x 24 W										8.80
DFPE-125LTA2 -D ○ - □ □ - ○	1x 25 W										8.60
DFPE-225LTA2 -D ○ - □ □ - ○	2x 25 W										8.80
LED PCB (72 V DC) – Requires an external driver											
DFPE-25LPA2 -D ○ - □ □ - ○	25 W	110-240 V AC, 50/60 Hz	LED driver	T6	T6	T85°C	T85°C	3,950	755	645	5.60
DFPE-30LPA2 -D ○ - □ □ - ○	30 W										5.60
DFPE-40LPA2 -D ○ - □ □ - ○	40 W										5.60
DFPE-50LPA2 -D ○ - □ □ - ○	50 W										5.60
DFPE-60LPA2 -D ○ - □ □ - ○	60 W										5.60
DFPE-60LP1A2 -D ○ - □ □ - ○	60 W							7,020	1,370	1,258	8.70
DFPE-75LPA2 -D ○ - □ □ - ○	75 W							8.70			
DFPE-90LPA2 -D ○ - □ □ - ○	90 W							8.70			



Remark *: The maximum surface temperatures are specified for dust free condition. The dust layer which may cover around the lighting fixture will cause to higher surface temperature.

Lighting: Fluorescent & LED Lighting Fixture, DFPE Series

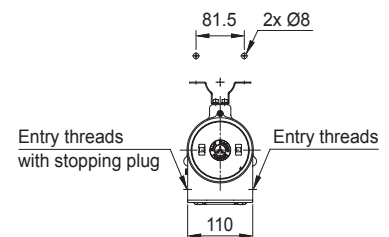
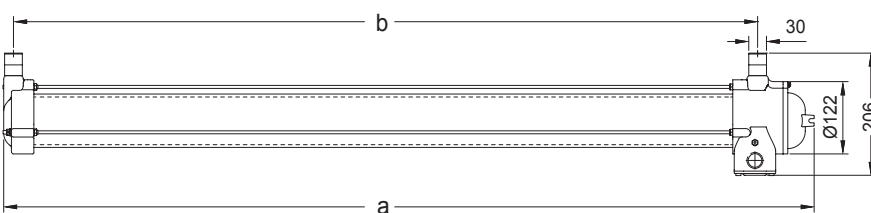
Flameproof/ Increased Safety and Dust protection by enclosure

Zone 1 & 2 – 21 & 22



Ordering Requirements and Dimensions

Cat. No.	Lamp watt	Voltage	Ballast or Driver	Temp. Class (for zone 1 & 2)		Max. Surface Temp.* (for zone 21 & 22)		Volume (cm ³)	Dimensions in mm		Approx. weight (kg)
				Ta 40 °C	Ta 60 °C	Ta 40 °C	Ta 60 °C		a	b	
LED tube (Double-ended, Built-in driver)											
DFPE-105LTD1 - ○ - □ □ - ○	1x 5 W	24-42 V DC	-	T6	T6	T85°C	T85°C	3,950	755	645	5.80
DFPE-205LTD1 - ○ - □ □ - ○	2x 5 W										6.00
DFPE-106LTD1 - ○ - □ □ - ○	1x 6 W										5.80
DFPE-206LTD1 - ○ - □ □ - ○	2x 6 W										6.00
DFPE-107LTD1 - ○ - □ □ - ○	1x 7 W										5.80
DFPE-207LTD1 - ○ - □ □ - ○	2x 7 W										6.00
DFPE-108LTD1 - ○ - □ □ - ○	1x 8 W										5.80
DFPE-208LTD1 - ○ - □ □ - ○	2x 8 W										6.00
DFPE-109LTD1 - ○ - □ □ - ○	1x 9 W										5.80
DFPE-209LTD1 - ○ - □ □ - ○	2x 9 W										6.00
DFPE-114LTD1 - ○ - □ □ - ○	1x 14 W	24-42 V DC	-	T6	T6	T85°C	T85°C	7,020	1,370	1,258	8.80
DFPE-214LTD1 - ○ - □ □ - ○	2x 14 W										9.00
DFPE-115LTD1 - ○ - □ □ - ○	1x 15 W										8.80
DFPE-215LTD1 - ○ - □ □ - ○	2x 15 W										9.00
DFPE-116LTD1 - ○ - □ □ - ○	1x 16 W										8.80
DFPE-216LTD1 - ○ - □ □ - ○	2x 16 W										9.00
DFPE-117LTD1 - ○ - □ □ - ○	1x 17 W										8.80
DFPE-217LTD1 - ○ - □ □ - ○	2x 17 W										9.00
DFPE-118LTD1 - ○ - □ □ - ○	1x 18 W										8.80
DFPE-218LTD1 - ○ - □ □ - ○	2x 18 W										9.00
DFPE-119LTD1 - ○ - □ □ - ○	1x 19 W										8.80
DFPE-219LTD1 - ○ - □ □ - ○	2x 19 W										9.00
DFPE-120LTD1 - ○ - □ □ - ○	1x 20 W										8.80
DFPE-220LTD1 - ○ - □ □ - ○	2x 20 W										9.00
DFPE-121LTD1 - ○ - □ □ - ○	1x 21 W										8.80
DFPE-221LTD1 - ○ - □ □ - ○	2x 21 W										9.00
DFPE-122LTD1 - ○ - □ □ - ○	1x 22 W										8.80
DFPE-222LTD1 - ○ - □ □ - ○	2x 22 W										9.00
DFPE-123LTD1 - ○ - □ □ - ○	1x 23 W										8.80
DFPE-223LTD1 - ○ - □ □ - ○	2x 23 W										9.00
DFPE-124LTD1 - ○ - □ □ - ○	1x 24 W	8.80									
DFPE-224LTD1 - ○ - □ □ - ○	2x 24 W	9.00									
DFPE-125LTD1 - ○ - □ □ - ○	1x 25 W	8.80									
DFPE-225LTD1 - ○ - □ □ - ○	2x 25 W	9.00									
LED PCB – Requires an external driver											
DFPE-25LPD1 - D ○ - □ □ - ○	25 W	24-42 V DC	LED driver	T6	T6	T85°C	T85°C	3,950	755	645	5.40
DFPE-30LPD1 - D ○ - □ □ - ○	30 W										5.40
DFPE-40LPD1 - D ○ - □ □ - ○	40 W										5.40
DFPE-50LPD1 - D ○ - □ □ - ○	50 W										5.40
DFPE-60LPD1 - D ○ - □ □ - ○	60 W							5.40			
DFPE-60LP1D1 - D ○ - □ □ - ○	60 W							7,020	1,370	1,258	8.70
DFPE-75LPD1 - D ○ - □ □ - ○	75 W							8.70			
DFPE-90LPD1 - D ○ - □ □ - ○	90 W							8.70			



Remark *: The maximum surface temperatures are specified for dust free condition. The dust layer which may cover around the lighting fixture will cause to higher surface temperature.

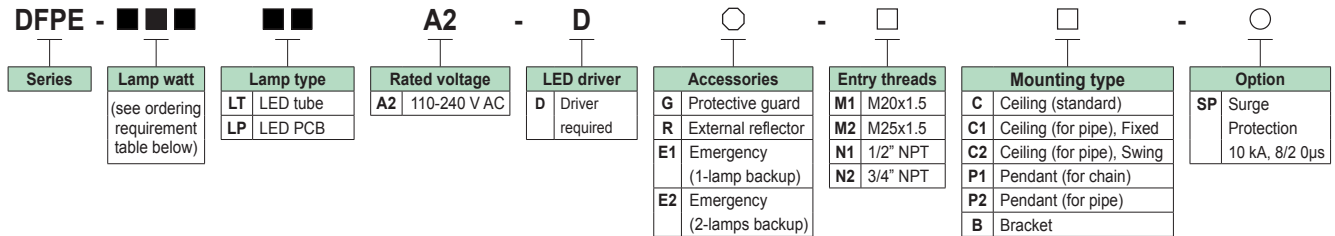


Lighting: Fluorescent & Tube Lighting Fixture, DFPE Series

Flameproof/ Increased Safety and Dust protection by enclosure

Zone 1 & 2 – 21 & 22

Catalogue Number Logic (Emergency Light)



Ordering Requirements and Dimensions

Cat. No.	Lamp watt	Voltage	Ballast or Driver	Temp. Class (for zone 1 & 2)		Max. Surface Temp.* (for zone 21 & 22)		Volume (cm ³)	Dimensions in mm		Approx. weight (kg)
				Ta 40°C	Ta 55°C	Ta 40°C	Ta 55°C		a	b	
LED tube (72 V DC, Double-ended) – Requires an external driver											
DFPE-105LTA2-D ○ E1-□□-○	1x 5 W	110-240 V AC, 50/60 Hz	LED driver	T6	T6	T85°C	T85°C	3,950	755	645	5.80
DFPE-205LTA2-D ○ E1-□□-○	2x 5 W			6.00							
DFPE-106LTA2-D ○ E1-□□-○	1x 6 W			5.80							
DFPE-206LTA2-D ○ E1-□□-○	2x 6 W			6.00							
DFPE-107LTA2-D ○ E1-□□-○	1x 7 W			5.80							
DFPE-207LTA2-D ○ E1-□□-○	2x 7 W			6.00							
DFPE-108LTA2-D ○ E1-□□-○	1x 8 W			5.80							
DFPE-208LTA2-D ○ E1-□□-○	2x 8 W			6.00							
DFPE-109LTA2-D ○ E1-□□-○	1x 9 W			5.80							
DFPE-209LTA2-D ○ E1-□□-○	2x 9 W			6.00							
DFPE-114LTA2-D ○ E1-□□-○	1x 14 W	110-240 V AC, 50/60 Hz	LED driver	T6	T6	T85°C	T85°C	7,020	1,370	1,258	8.80
DFPE-214LTA2-D ○ E1-□□-○	2x 14 W			9.00							
DFPE-214LTA2-D ○ E2-□□-○	2x 14 W			9.20							
DFPE-115LTA2-D ○ E1-□□-○	1x 15 W			8.80							
DFPE-215LTA2-D ○ E1-□□-○	2x 15 W			9.00							
DFPE-215LTA2-D ○ E2-□□-○	2x 15 W			9.20							
DFPE-116LTA2-D ○ E1-□□-○	1x 16 W			8.80							
DFPE-216LTA2-D ○ E1-□□-○	2x 16 W			9.00							
DFPE-216LTA2-D ○ E2-□□-○	2x 16 W			9.20							
DFPE-117LTA2-D ○ E1-□□-○	1x 17 W			8.80							
DFPE-217LTA2-D ○ E1-□□-○	2x 17 W			9.00							
DFPE-217LTA2-D ○ E2-□□-○	2x 17 W			9.20							
DFPE-118LTA2-D ○ E1-□□-○	1x 18 W			8.80							
DFPE-218LTA2-D ○ E1-□□-○	2x 18 W			9.00							
DFPE-218LTA2-D ○ E2-□□-○	2x 18 W			9.20							
DFPE-119LTA2-D ○ E1-□□-○	1x 19 W			8.80							
DFPE-219LTA2-D ○ E1-□□-○	2x 19 W			9.00							
DFPE-219LTA2-D ○ E2-□□-○	2x 19 W			9.20							
DFPE-120LTA2-D ○ E1-□□-○	1x 20 W			8.80							
DFPE-220LTA2-D ○ E1-□□-○	2x 20 W			9.00							
DFPE-220LTA2-D ○ E2-□□-○	2x 20 W			9.20							
DFPE-121LTA2-D ○ E1-□□-○	1x 21 W			8.80							
DFPE-221LTA2-D ○ E1-□□-○	2x 21 W			9.00							
DFPE-221LTA2-D ○ E2-□□-○	2x 21 W			9.20							
DFPE-122LTA2-D ○ E1-□□-○	1x 22 W			8.80							
DFPE-222LTA2-D ○ E1-□□-○	2x 22 W	9.00									
DFPE-222LTA2-D ○ E2-□□-○	2x 22 W	9.20									
DFPE-123LTA2-D ○ E1-□□-○	1x 23 W	8.80									
DFPE-223LTA2-D ○ E1-□□-○	2x 23 W	9.00									
DFPE-223LTA2-D ○ E2-□□-○	2x 23 W	9.20									
DFPE-124LTA2-D ○ E1-□□-○	1x 24 W	8.80									
DFPE-224LTA2-D ○ E1-□□-○	2x 24 W	9.00									
DFPE-224LTA2-D ○ E2-□□-○	2x 24 W	9.20									
DFPE-125LTA2-D ○ E1-□□-○	1x 25 W	8.80									
DFPE-225LTA2-D ○ E1-□□-○	2x 25 W	9.00									
DFPE-225LTA2-D ○ E2-□□-○	2x 25 W	9.20									

Remark *: The maximum surface temperatures are specified for dust free condition. The dust layer which may cover around the lighting fixture will cause to higher surface temperature.

Lighting: Fluorescent & LED Lighting Fixture, DFPE Series

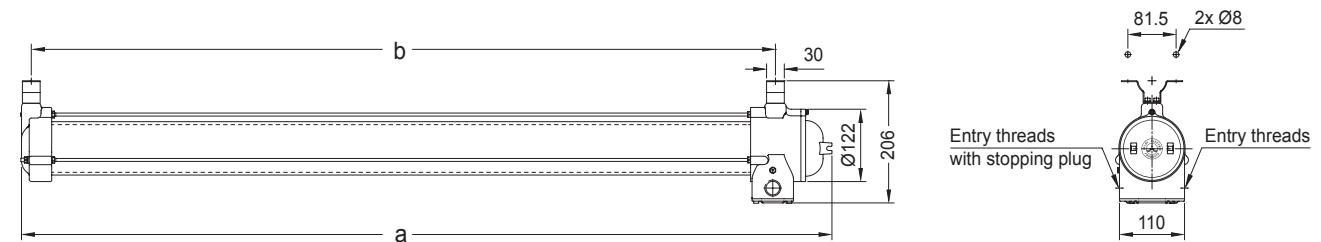
Flameproof/ Increased Safety and Dust protection by enclosure

Zone 1 & 2 – 21 & 22



Ordering Requirements and Dimensions

Cat. No.	Lamp watt	Voltage	Ballast or Driver	Temp. Class (for zone 1 & 2)		Max. Surface Temp.* (for zone 21 & 22)		Volume (cm ³)	Dimensions in mm		Approx. weight (kg)
				Ta 40 °C	Ta 55 °C	Ta 40 °C	Ta 55 °C		a	b	
LED PCB (72 V DC) – Requires an external driver											
DFPE-25LPA2	-D ○ E2- □ □ - ○	25 W	110-240 V AC, 50/60 Hz LED driver	T6	T6	T85°C	T85°C	3,950	755	645	6.20
DFPE-30LPA2	-D ○ E2- □ □ - ○	30 W									
DFPE-50LPA2	-D ○ E2- □ □ - ○	50 W									
DFPE-60LPA2	-D ○ E2- □ □ - ○	60 W									
DFPE-60LP1A2	-D ○ E2- □ □ - ○	60 W						7,020	1,370	1,258	9.30
DFPE-75LPA2	-D ○ E2- □ □ - ○	75 W									
DFPE-90LPA2	-D ○ E2- □ □ - ○	90 W									



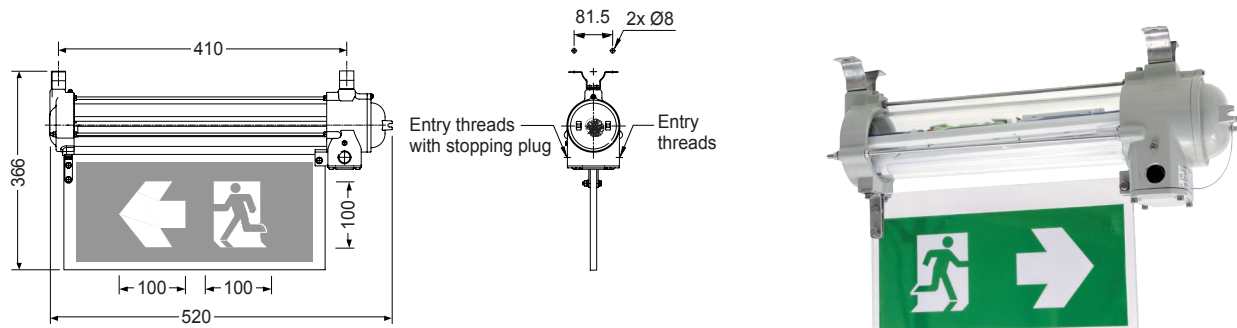
Catalogue Number Logic (Exit Emergency Light)

DFPE - ■	LT	A2	-	D	E1	X	□	-	□	-	○
Series	Lamp watt	Lamp type LED tube	Rated Voltage	LED driver	Emergency	Exit	Pictogram format	Entry threads	Mounting	Option	
			110-240 V AC		E1 Emergency backup			M1 M20x1.5 M2 M25x1.5 N1 1/2" NPT N2 3/4" NPT	C Ceiling (standard) C1 Ceiling (for pipe), Fixed C2 Ceiling (for pipe), Swing P1 Pendant (for chain) P2 Pendant (for pipe) B Bracket	SP Surge Protection 10 kA, 8/20 µs	

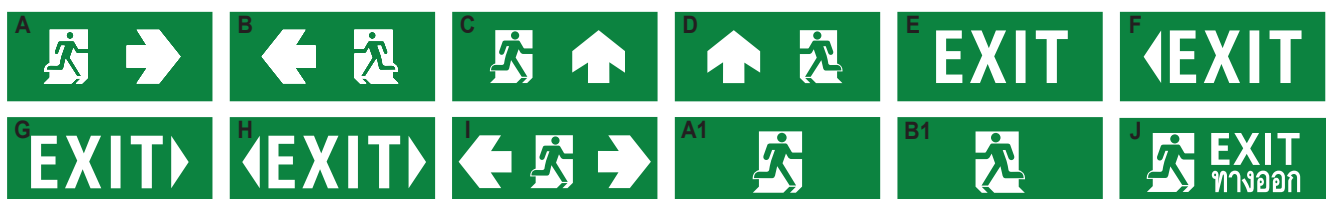
Ordering Requirements and Dimensions

Cat. No.	Lamp watt	Image element size	Voltage	Driver	Temp. Class (for zone 1 & 2)		Max. Surface Temp.* (for zone 21 & 22)		Volume (cm ³)	Approx. weight (kg)
					Ta 40°C	Ta 55°C	Ta 40°C	Ta 55°C		
LED tube										
DFPE-107LTA2-DE1X○-□□-○	1x 7 W	10 cm	110-240 V AC, 50/60 Hz	LED driver	T6	T6	T85°C	T85°C	2,500 3,950	6.00 7.70

Remark *: The maximum surface temperatures are specified for dust free condition. The dust layer which may cover around the lighting fixture will cause to higher surface temperature.

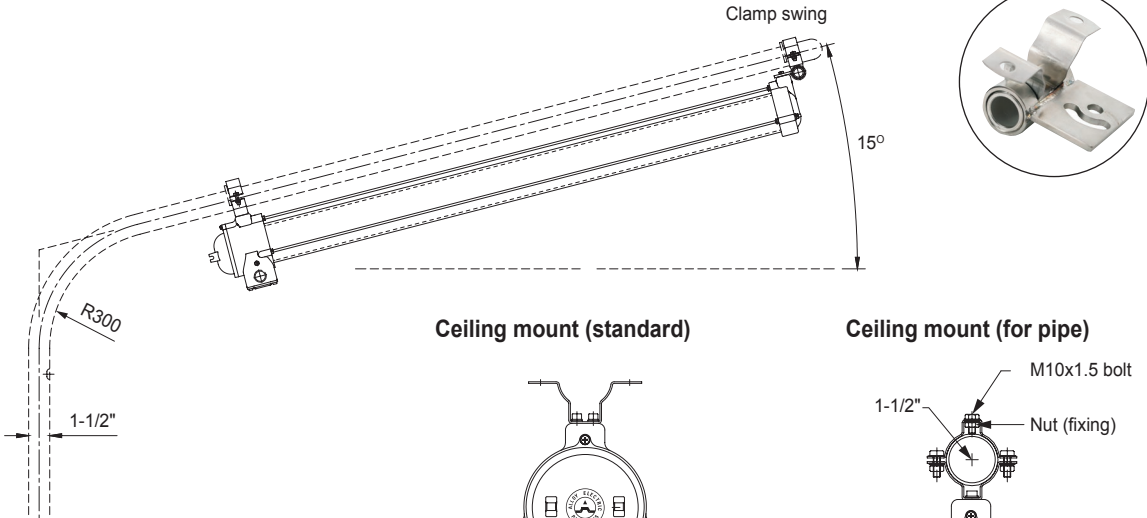


Pictogram format (◇): Image element size 10 cm as follow EIT standard 021004-22

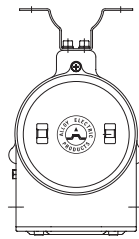


Installation Information

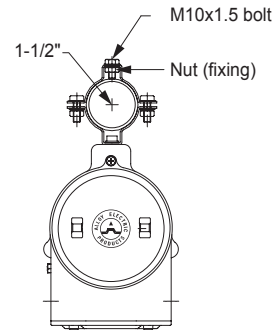
Pole mount



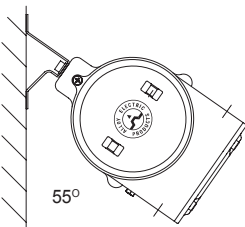
Ceiling mount (standard)



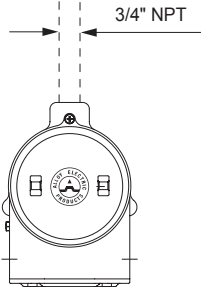
Ceiling mount (for pipe)



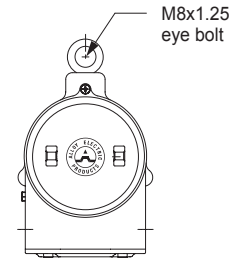
Bracket mount (or wall mount)



Pendant mount (for pipe)

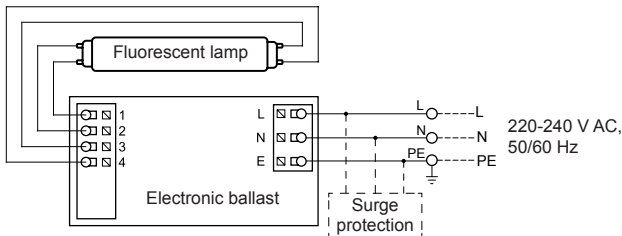


Pendant mount (for chain)

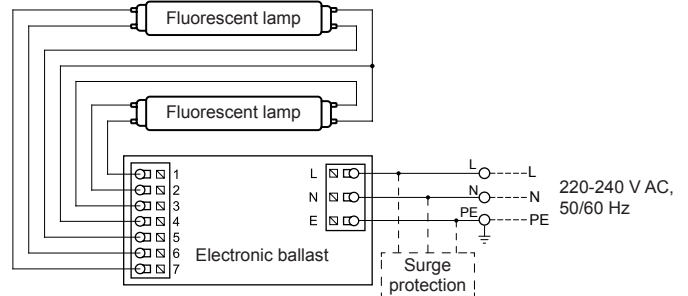


Wiring Diagram

Electronic ballast for fluorescent lamp;
1x 14 W, 1x 28 W, 1x 18 W and 1x 36 W

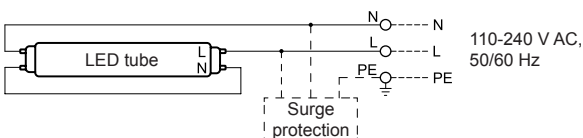


Electronic ballast for fluorescent lamp;
2x 14 W, 2x 28 W, 2x 18 W and 2x 36 W

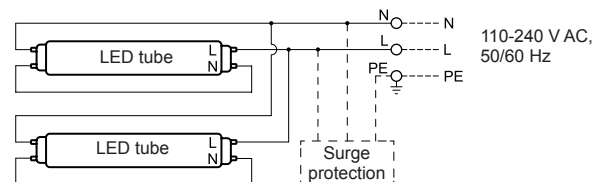


LED tube (Single-ended, Built-in driver)

1x Lamp



2x Lamp



Lighting: Fluorescent & LED Lighting Fixture, DFPE Series

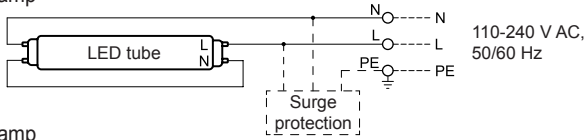
Flameproof/ Increased Safety and Dust protection by enclosure

Zone 1 & 2 – 21 & 22

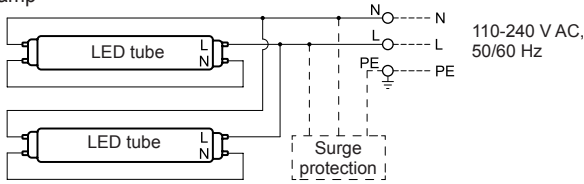
Wiring Diagram

LED tube (Single-ended, Built-in driver)

1x Lamp

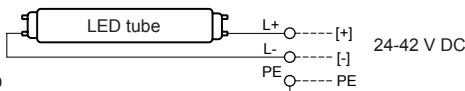


2x Lamp

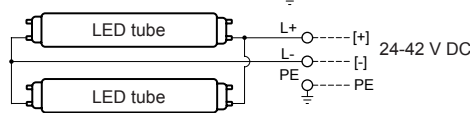


LED tube (Double-ended), 24-42 V DC

1x Lamp

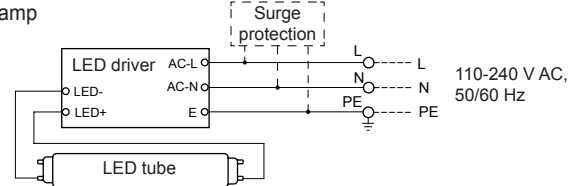


2x Lamp

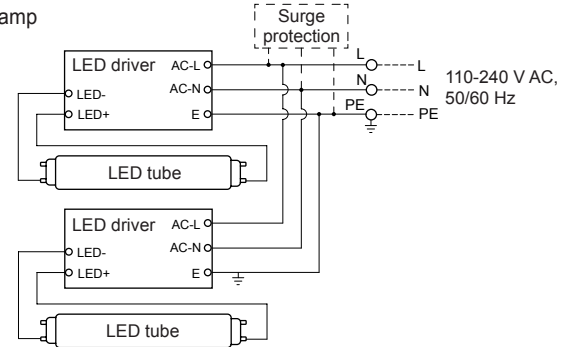


LED tube: requires an external driver (72 V DC, Double-ended)

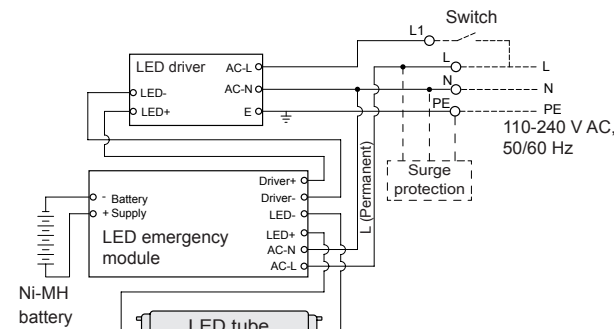
1x Lamp



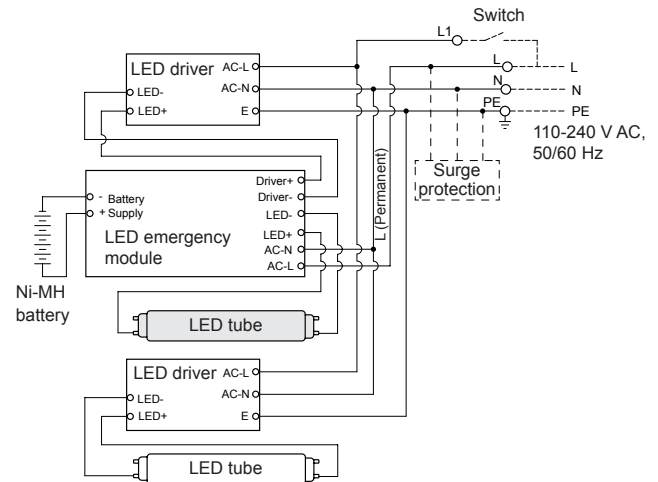
2x Lamp



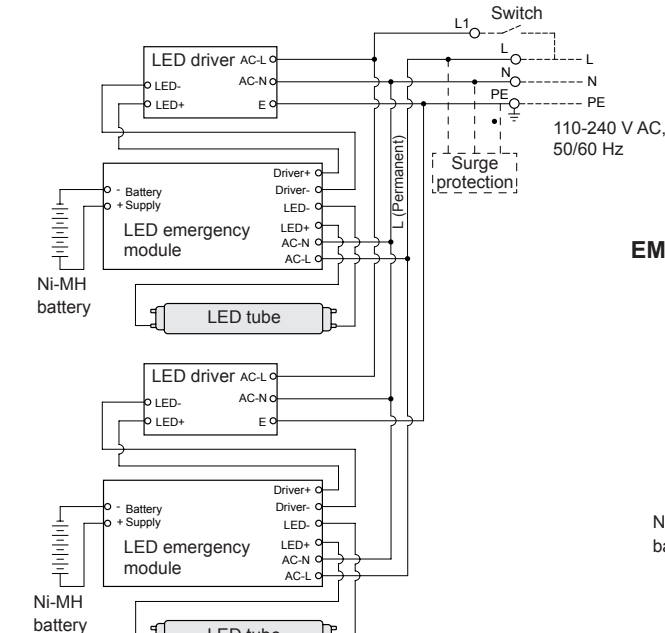
1x Lamp fixture with emergency backup (E1)



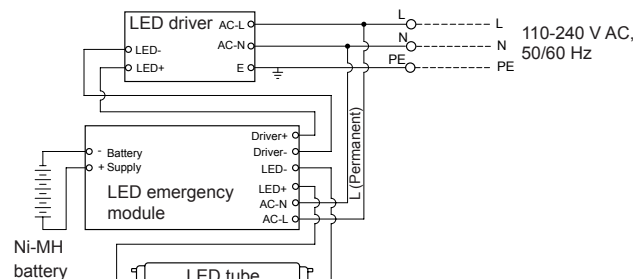
2x Lamp fixture with 1x lamp emergency backup (E1)



2x Lamp fixture with 2x lamp emergency backup (E2)

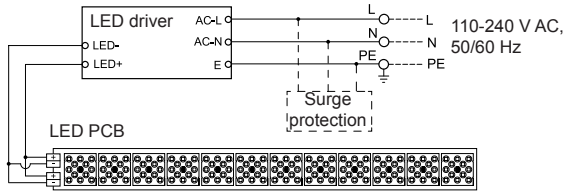


EMERGENCY LIGHT WITH EXIT SIGN

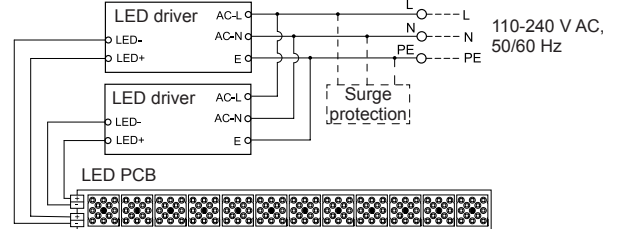


Wiring Diagram; LED PCB

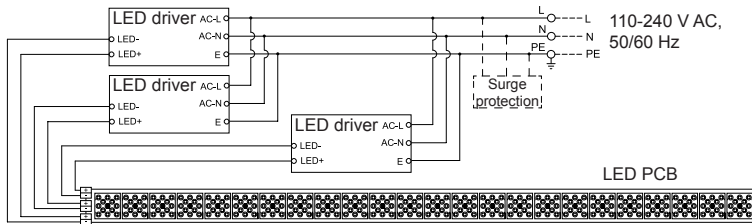
LED PCB (2 modules): 25 W and 30 W



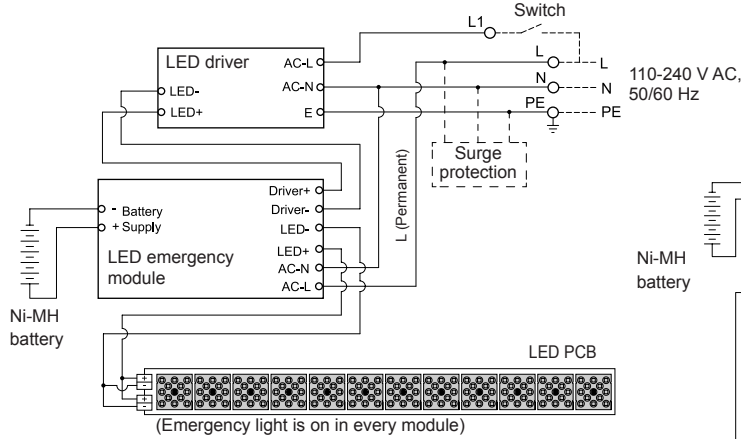
LED PCB (2 modules): 40 W, 50 W, and 60 W



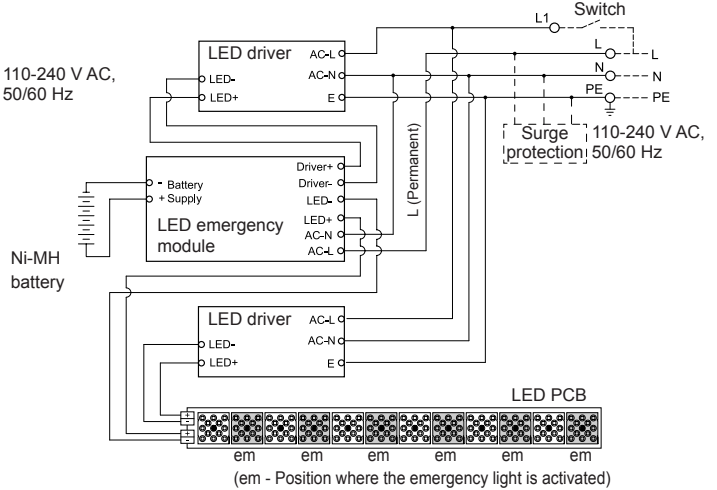
LED PCB (3 modules): 60 W, 75 W, and 90 W



LED PCB (2 modules) with emergency backup: 25 W and 30 W



LED PCB (2 modules) with emergency backup: 40 W, 50 W, and 60 W



LED PCB (3 modules) with emergency backup: 60 W, 75 W, and 90 W

