

# Control Station and Control Panel: Control Station (Rectangular Shape), EPB/ EPL/ EPBL/ ESL/ EKS/ EEM series

Flameproof and Dust protection by enclosure

Zone 1 & 2 – 22



## Application

The control stations are suitable for use in conjunction with magnetic contactors and relays for remote control of motors, also indicating the electrical function performed. They are suitable for zone 1, 2 and 22 areas.

## Specification

- Body, cover : Marine grade copper-free aluminium alloy with polyester powder coated, RAL 7032 (Grey)
- Bolts : Stainless steel, SUS 304

## Technical Data

<b>Hazardous Area</b>	<b>Gas</b>	<b>Dust</b>
<b>Zones</b>	1 & 2	22
<b>Equipment Group/Category</b>	II 2G	II 3D
<b>Symbol of Protection</b>	Ex db IIB T6/T5 Gb	Ex tc IIIB T80°C/ T95°C Dc
<b>Conformity to Standards</b>	EN IEC 60079-0:2018, EN 60079-1:2014, EN 60079-31:2014	
<b>Ambient Temperature</b>	-20°C to +55°C	
<b>Index of Protection</b>	IP54	
<b>Entries</b>	1/2" or 3/4" NPT	
<b>Mounting</b>	Wall mount	

## Catalogue Number Logic

### EPB series



Page D22/77

<b>EPB</b>	■	-	■	-	■	■	■
<b>Series</b>	<b>Gang</b>	<b>Contact per unit (Momentary)</b>		<b>Entries</b>			
1 Single gang	1 Single gang	A 1NO	B 1NC	<b>Dead-end/ Top</b>	<b>Dead-end/ Bottom</b>	<b>Through-feed</b>	
2 Two gangs	2 Two gangs	C 1NO-1NC	D 2NO	TN1 1/2" NPT	BN1 1/2" NPT	CN1 1/2" NPT	
3 Three gangs	3 Three gangs	E 2NC		TN2 3/4" NPT	BN2 3/4" NPT	CN2 3/4" NPT	

### EPL series



Page D24/77

<b>EPL</b>	■	-	□	□	-	■	■
<b>Series</b>	<b>Gang</b>	<b>Voltage</b>		<b>Lens colour</b>	<b>Entries</b>		
1 Single gang	1 Single gang	2D 24V.dc		G Green	<b>Dead-end/ Top</b>	<b>Dead-end/ Bottom</b>	<b>Through-feed</b>
2 Two gangs	2 Two gangs	12 120V.ac		R Red	TN1 1/2" NPT	BN1 1/2" NPT	CN1 1/2" NPT
3 Three gangs	3 Three gangs	22 220-230V.ac		Y Yellow	TN2 3/4" NPT	BN2 3/4" NPT	CN2 3/4" NPT
				B Blue			
				C Clear			

### EPBL series



Page D26/77

<b>EPBL</b>	■	-	□	□	□	-	■	■
<b>Series</b>	<b>Gang</b>	<b>Contact</b>		<b>Voltage</b>	<b>Lens colour</b>	<b>Entries</b>		
1 Single gang	1 Single gang	A 1NO	B 1NC	2D 24V.dc	G Green	<b>Dead-end/ Top</b>	<b>Dead-end/ Bottom</b>	<b>Through-feed</b>
2 Two gangs	2 Two gangs	C 1NO-1NC	D 2NO	12 120V.ac	R Red	TN1 1/2" NPT	BN1 1/2" NPT	CN1 1/2" NPT
		E 2NC		22 220-230V.ac	Y Yellow	TN2 3/4" NPT	BN2 3/4" NPT	CN2 3/4" NPT
					B Blue			
					C Clear			

### EEM series



Page D27/77

<b>EEM</b>	■	-	□	□	-	■	■	
<b>Series</b>	<b>Gang</b>	<b>Contact</b>		<b>Function</b>		<b>Entries</b>		
1 Single gang	1 Single gang	B 1NC	C 1NO-1NC	P Push-pull		<b>Dead-end/ Top</b>	<b>Dead-end/ Bottom</b>	<b>Through-feed</b>
		E 2NC		L Push-lock Turn to release		TN1 1/2" NPT	BN1 1/2" NPT	CN1 1/2" NPT
				K Push-lock Key to release		TN2 3/4" NPT	BN2 3/4" NPT	CN2 3/4" NPT

### ESL/ EKS series



Page D28,29/77

<b>E</b> ■ ■	■	-	□	□	□	-	■	■		
<b>Series</b>	<b>Gang</b>	<b>Position</b>		<b>Contact</b>		<b>Function</b>		<b>Entries</b>		
ESL Selector Switch	1 Single gang	2 2-positions	3 3-positions	A 1NO	B 1NC	- Stay put		<b>Dead-end/ Top</b>	<b>Dead-end/ Bottom</b>	<b>Through-feed</b>
EKS Key Selector Switch				C 1NO-1NC	D 2NO	S Spring return		TN1 1/2" NPT	BN1 1/2" NPT	CN1 1/2" NPT
				F 4NO				TN2 3/4" NPT	BN2 3/4" NPT	CN2 3/4" NPT



## Ordering Requirements

### Single gang, 1PB (without wiring)

		Push button, 1NO (momentary)		
		Cat. No.		
		Dead-end/ Top	Dead-end/ Bottom	Through-feed
Entries	1/2" NPT	EPB1-A-TN1	EPB1-A-BN1	EPB1-A-CN1
	3/4" NPT	EPB1-A-TN2	EPB1-A-BN2	EPB1-A-CN2
Nameplate marking		START or ON or Specify		
Volume (cm <sup>3</sup> )		320		
Approx. weight (kgs.)		1.95		

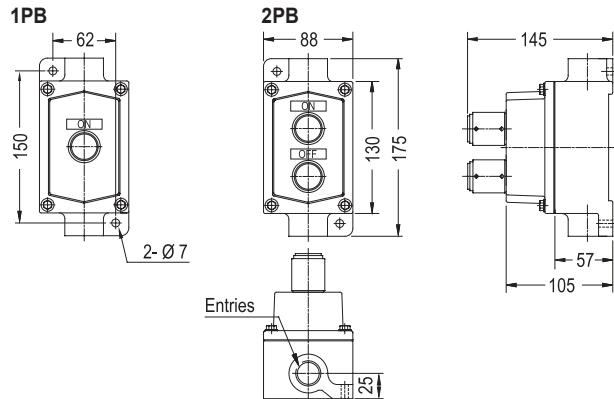
		Push button, 1NC (momentary)		
		Cat. No.		
		Dead-end/ Top	Dead-end/ Bottom	Through-feed
Entries	1/2" NPT	EPB1-B-TN1	EPB1-B-BN1	EPB1-B-CN1
	3/4" NPT	EPB1-B-TN2	EPB1-B-BN2	EPB1-B-CN2
Nameplate marking		STOP or OFF or Specify		
Volume (cm <sup>3</sup> )		320		
Approx. weight (kgs.)		1.95		

		Push button, 1NO-1NC (momentary)		
		Cat. No.		
		Dead-end/ Top	Dead-end/ Bottom	Through-feed
Entries	1/2" NPT	EPB1-C-TN1	EPB1-C-BN1	EPB1-C-CN1
	3/4" NPT	EPB1-C-TN2	EPB1-C-BN2	EPB1-C-CN2
Nameplate marking		Specify		
Volume (cm <sup>3</sup> )		320		
Approx. weight (kgs.)		1.95		

		Push button, 2NO (momentary)		
		Cat. No.		
		Dead-end/ Top	Dead-end/ Bottom	Through-feed
Entries	1/2" NPT	EPB1-D-TN1	EPB1-D-BN1	EPB1-D-CN1
	3/4" NPT	EPB1-D-TN2	EPB1-D-BN2	EPB1-D-CN2
Nameplate marking		START or ON or Specify		
Volume (cm <sup>3</sup> )		320		
Approx. weight (kgs.)		1.95		

		Push button, 2NC (momentary)		
		Cat. No.		
		Dead-end/ Top	Dead-end/ Bottom	Through-feed
Entries	1/2" NPT	EPB1-E-TN1	EPB1-E-BN1	EPB1-E-CN1
	3/4" NPT	EPB1-E-TN2	EPB1-E-BN2	EPB1-E-CN2
Nameplate marking		STOP or OFF or Specify		
Volume (cm <sup>3</sup> )		320		
Approx. weight (kgs.)		1.95		

## Dimension



## Ordering Requirements

### Single gang, 2PB (without wiring)

		Push button, 1NO (momentary) Push button, 1NC (momentary)		
		Cat. No.		
		Dead-end/ Top	Dead-end/ Bottom	Through-feed
Entries	1/2" NPT	EPB1-AB-TN1	EPB1-AB-BN1	EPB1-AB-CN1
	3/4" NPT	EPB1-AB-TN2	EPB1-AB-BN2	EPB1-AB-CN2
Nameplate marking		START, STOP or ON, OFF or Specify		
Volume (cm <sup>3</sup> )		320		
Approx. weight (kgs.)		1.95		

		Push button, 1NO-1NC (momentary) Push button, 1NO-1NC (momentary)		
		Cat. No.		
		Dead-end/ Top	Dead-end/ Bottom	Through-feed
Entries	1/2" NPT	EPB1-CC-TN1	EPB1-CC-BN1	EPB1-CC-CN1
	3/4" NPT	EPB1-CC-TN2	EPB1-CC-BN2	EPB1-CC-CN2
Nameplate marking		START, STOP or ON, OFF or Specify		
Volume (cm <sup>3</sup> )		320		
Approx. weight (kgs.)		1.95		

		Push button, 1NO (momentary) Push button, 1NO (momentary)		
		Cat. No.		
		Dead-end/ Top	Dead-end/ Bottom	Through-feed
Entries	1/2" NPT	EPB1-AA-TN1	EPB1-AA-BN1	EPB1-AA-CN1
	3/4" NPT	EPB1-AA-TN2	EPB1-AA-BN2	EPB1-AA-CN2
Nameplate marking		UP, DOWN or Specify		
Volume (cm <sup>3</sup> )		320		
Approx. weight (kgs.)		1.95		

		Push button, 2NO (momentary) Push button, 2NO (momentary)		
		Cat. No.		
		Dead-end/ Top	Dead-end/ Bottom	Through-feed
Entries	1/2" NPT	EPB1-DD-TN1	EPB1-DD-BN1	EPB1-DD-CN1
	3/4" NPT	EPB1-DD-TN2	EPB1-DD-BN2	EPB1-DD-CN2
Nameplate marking		UP, DOWN or Specify		
Volume (cm <sup>3</sup> )		320		
Approx. weight (kgs.)		1.95		

# Control Station and Control Panel: Push Button, EPB series

Flameproof and Dust protection by enclosure

Zone 1 & 2 – 22

## Ordering Requirements

### Single gang, 3PB (without wiring)

		PB1 Push button, 1NO (momentary) PB2 Push button, 1NO (momentary) PB3 Push button, 1NC (momentary)											
		<b>Cat. No.</b>											
		<table border="1"> <thead> <tr> <th>Dead-end/ Top</th> <th>Dead-end/ Bottom</th> <th>Through-feed</th> </tr> </thead> <tbody> <tr> <td>1/2" NPT</td> <td>EPB1-AAB-TN1</td> <td>EPB1-AAB-BN1</td> <td>EPB1-AAB-CN1</td> </tr> <tr> <td>3/4" NPT</td> <td>EPB1-AAB-TN2</td> <td>EPB1-AAB-BN2</td> <td>EPB1-AAB-CN2</td> </tr> </tbody> </table>	Dead-end/ Top	Dead-end/ Bottom	Through-feed	1/2" NPT	EPB1-AAB-TN1	EPB1-AAB-BN1	EPB1-AAB-CN1	3/4" NPT	EPB1-AAB-TN2	EPB1-AAB-BN2	EPB1-AAB-CN2
Dead-end/ Top	Dead-end/ Bottom	Through-feed											
1/2" NPT	EPB1-AAB-TN1	EPB1-AAB-BN1	EPB1-AAB-CN1										
3/4" NPT	EPB1-AAB-TN2	EPB1-AAB-BN2	EPB1-AAB-CN2										
Entries	1/2" NPT	UP, DOWN, STOP or Specify											
	3/4" NPT	UP, DOWN, STOP or Specify											
Nameplate marking	UP, DOWN, STOP or Specify												
Volume (cm <sup>3</sup> )	1,180												
Approx. weight (kgs.)	1.98												

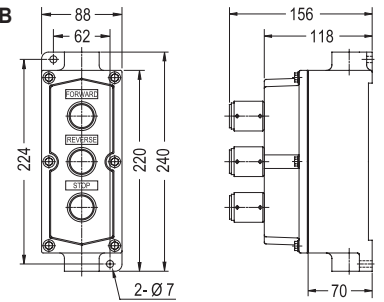
		PB1 Push button, 1NO-1NC (momentary) PB2 Push button, 1NO-1NC (momentary) PB3 Push button, 1NO-1NC (momentary)											
		<b>Cat. No.</b>											
		<table border="1"> <thead> <tr> <th>Dead-end/ Top</th> <th>Dead-end/ Bottom</th> <th>Through-feed</th> </tr> </thead> <tbody> <tr> <td>1/2" NPT</td> <td>EPB1-CCC-TN1</td> <td>EPB1-CCC-BN1</td> <td>EPB1-CCC-CN1</td> </tr> <tr> <td>3/4" NPT</td> <td>EPB1-CCC-TN2</td> <td>EPB1-CCC-BN2</td> <td>EPB1-CCC-CN2</td> </tr> </tbody> </table>	Dead-end/ Top	Dead-end/ Bottom	Through-feed	1/2" NPT	EPB1-CCC-TN1	EPB1-CCC-BN1	EPB1-CCC-CN1	3/4" NPT	EPB1-CCC-TN2	EPB1-CCC-BN2	EPB1-CCC-CN2
Dead-end/ Top	Dead-end/ Bottom	Through-feed											
1/2" NPT	EPB1-CCC-TN1	EPB1-CCC-BN1	EPB1-CCC-CN1										
3/4" NPT	EPB1-CCC-TN2	EPB1-CCC-BN2	EPB1-CCC-CN2										
Entries	1/2" NPT	FORWARD, REVERSE, STOP or Specify											
	3/4" NPT	FORWARD, REVERSE, STOP or Specify											
Nameplate marking	FORWARD, REVERSE, STOP or Specify												
Volume (cm <sup>3</sup> )	1,180												
Approx. weight (kgs.)	1.98												

### Two gangs, 4PB (without wiring)

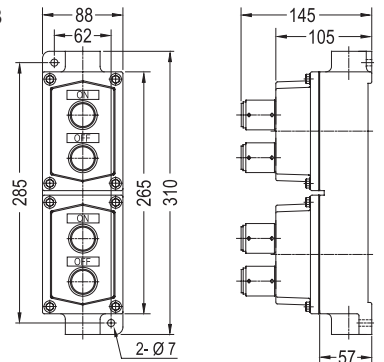
		PB1 Push button, 1NO-1NC (momentary) PB2 Push button, 1NO-1NC (momentary) PB3 Push button, 1NO-1NC (momentary) PB4 Push button, 1NO-1NC (momentary)											
		<b>Cat. No.</b>											
		<table border="1"> <thead> <tr> <th>Dead-end/ Top</th> <th>Dead-end/ Bottom</th> <th>Through-feed</th> </tr> </thead> <tbody> <tr> <td>3/4" NPT</td> <td>EPB2-CCCC-TN2</td> <td>EPB2-CCCC-BN2</td> <td>EPB2-CCCC-CN2</td> </tr> <tr> <td>1" NPT</td> <td>EPB2-CCCC-TN3</td> <td>EPB2-CCCC-BN3</td> <td>EPB2-CCCC-CN3</td> </tr> </tbody> </table>	Dead-end/ Top	Dead-end/ Bottom	Through-feed	3/4" NPT	EPB2-CCCC-TN2	EPB2-CCCC-BN2	EPB2-CCCC-CN2	1" NPT	EPB2-CCCC-TN3	EPB2-CCCC-BN3	EPB2-CCCC-CN3
Dead-end/ Top	Dead-end/ Bottom	Through-feed											
3/4" NPT	EPB2-CCCC-TN2	EPB2-CCCC-BN2	EPB2-CCCC-CN2										
1" NPT	EPB2-CCCC-TN3	EPB2-CCCC-BN3	EPB2-CCCC-CN3										
Entries	3/4" NPT	START, STOP or ON, OFF or Specify											
	1" NPT	START, STOP or ON, OFF or Specify											
Nameplate marking	START, STOP or ON, OFF or Specify												
Volume (cm <sup>3</sup> )	640												
Approx. weight (kgs.)	3.33												

## Dimension

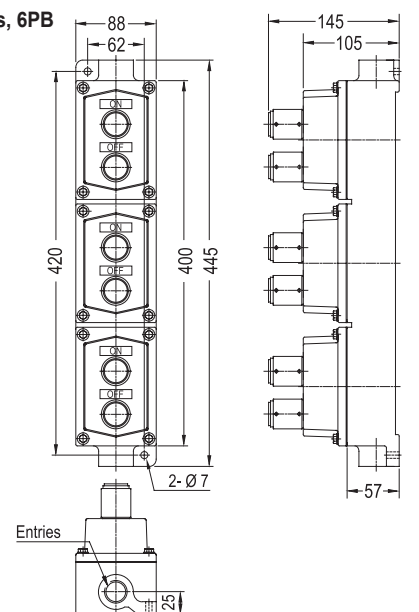
### Single gang, 3PB



### Two gangs, 4PB



### Three gangs, 6PB



## Ordering Requirements

### Three gangs, 6PB (without wiring)

		PB1 Push button, 1NO-1NC (momentary) PB2 Push button, 1NO-1NC (momentary) PB3 Push button, 1NO-1NC (momentary) PB4 Push button, 1NO-1NC (momentary) PB5 Push button, 1NO-1NC (momentary) PB6 Push button, 1NO-1NC (momentary)											
		<b>Cat. No.</b>											
		<table border="1"> <thead> <tr> <th>Dead-end/ Top</th> <th>Dead-end/ Bottom</th> <th>Through-feed</th> </tr> </thead> <tbody> <tr> <td>3/4" NPT</td> <td>EPB3-CCCCC-TN2</td> <td>EPB3-CCCCC-BN2</td> <td>EPB3-CCCCC-CN2</td> </tr> <tr> <td>1" NPT</td> <td>EPB3-CCCCC-TN3</td> <td>EPB3-CCCCC-BN3</td> <td>EPB3-CCCCC-CN3</td> </tr> </tbody> </table>	Dead-end/ Top	Dead-end/ Bottom	Through-feed	3/4" NPT	EPB3-CCCCC-TN2	EPB3-CCCCC-BN2	EPB3-CCCCC-CN2	1" NPT	EPB3-CCCCC-TN3	EPB3-CCCCC-BN3	EPB3-CCCCC-CN3
Dead-end/ Top	Dead-end/ Bottom	Through-feed											
3/4" NPT	EPB3-CCCCC-TN2	EPB3-CCCCC-BN2	EPB3-CCCCC-CN2										
1" NPT	EPB3-CCCCC-TN3	EPB3-CCCCC-BN3	EPB3-CCCCC-CN3										
Entries	3/4" NPT	START, STOP or ON, OFF or Specify											
	1" NPT	START, STOP or ON, OFF or Specify											
Nameplate marking	START, STOP or ON, OFF or Specify												
Volume (cm <sup>3</sup> )	960												
Approx. weight (kgs.)	4.93												

## Ordering Requirements

### Single gang, 1PL (without wiring)

		Cat. No.		
		Dead-end/ Top	Dead-end/ Bottom	Through-feed
Entries	1/2" NPT	EPL1-22G-TN1	EPL1-22G-BN1	EPL1-22G-CN1
	3/4" NPT	EPL1-22G-TN2	EPL1-22G-BN2	EPL1-22G-CN2
Nameplate marking		RUN or ON or Specify		
Volume (cm <sup>3</sup> )		320		
Approx. weight (kgs.)		1.65		

		Cat. No.		
		Dead-end/ Top	Dead-end/ Bottom	Through-feed
Entries	1/2" NPT	EPL1-22R-TN1	EPL1-22R-BN1	EPL1-22R-CN1
	3/4" NPT	EPL1-22R-TN2	EPL1-22R-BN2	EPL1-22R-CN2
Nameplate marking		STOP or OFF or Specify		
Volume (cm <sup>3</sup> )		320		
Approx. weight (kgs.)		1.65		

		Cat. No.		
		Dead-end/ Top	Dead-end/ Bottom	Through-feed
Entries	1/2" NPT	EPL1-22C-TN1	EPL1-22C-BN1	EPL1-22C-CN1
	3/4" NPT	EPL1-22C-TN2	EPL1-22C-BN2	EPL1-22C-CN2
Nameplate marking		POWER or Specify		
Volume (cm <sup>3</sup> )		320		
Approx. weight (kgs.)		1.65		

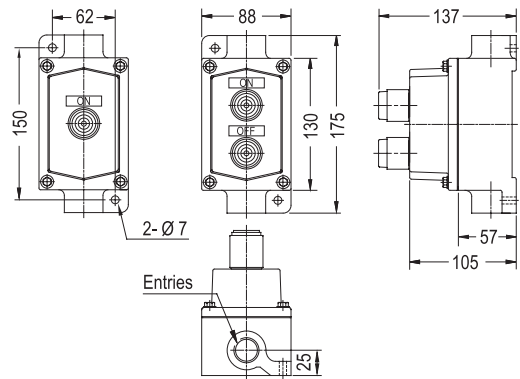
		Cat. No.		
		Dead-end/ Top	Dead-end/ Bottom	Through-feed
Entries	1/2" NPT	EPL1-22Y-TN1	EPL1-22Y-BN1	EPL1-22Y-CN1
	3/4" NPT	EPL1-22Y-TN2	EPL1-22Y-BN2	EPL1-22Y-CN2
Nameplate marking		FAULT or Specify		
Volume (cm <sup>3</sup> )		320		
Approx. weight (kgs.)		1.65		

### Single gang, 2PL (without wiring)

		Cat. No.		
		Dead-end/ Top	Dead-end/ Bottom	Through-feed
Entries	1/2" NPT	EPL1-22GR-TN1	EPL1-22GR-BN1	EPL1-22GR-CN1
	3/4" NPT	EPL1-22GR-TN2	EPL1-22GR-BN2	EPL1-22GR-CN2
Nameplate marking		RUN, STOP or ON, OFF or Specify		
Volume (cm <sup>3</sup> )		320		
Approx. weight (kgs.)		1.69		

## Dimension

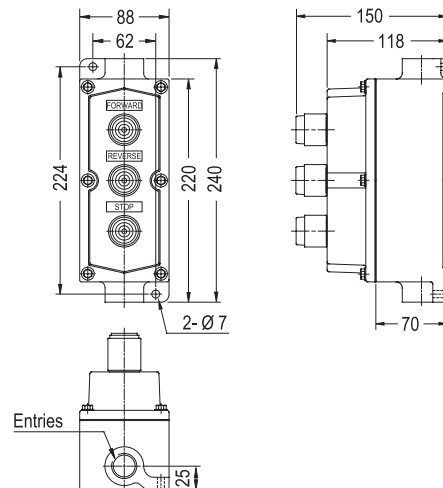
### Single gang, 1PL    Single gang, 2PL



### Single gang, 3PL (without wiring)

		Cat. No.		
		Dead-end/ Top	Dead-end/ Bottom	Through-feed
Entries	1/2" NPT	EPL1-22YGR-TN1	EPL1-22YGR-BN1	EPL1-22YGR-CN1
	3/4" NPT	EPL1-22YGR-TN2	EPL1-22YGR-BN2	EPL1-22YGR-CN2
Nameplate marking		TRIP, RUN, STOP or Specify		
Volume (cm <sup>3</sup> )		1,180		
Approx. weight (kgs.)		2.95		

### Single gang, 3PL



# Control Station and Control Panel: Pilot Light, EPL series

Flameproof and Dust protection by enclosure

Zone 1 & 2 – 22

## Ordering Requirements

Two gangs, 2PL (without wiring)

				PL1 Pilot Light, 220-230V.ac (Green) PL2 Pilot Light, 220-230V.ac (Green)
		Cat. No.		
		Dead-end/ Top	Dead-end/ Bottom	Through-feed
Entries	1/2" NPT	EPL2-22GG-TN1	EPL2-22GG-BN1	EPL2-22GG-CN1
	3/4" NPT	EPL2-22GG-TN2	EPL2-22GG-BN2	EPL2-22GG-CN2
Nameplate marking		RUN, RUN or Specify		
Volume (cm <sup>3</sup> )		640		
Approx. weight (kgs.)		3.19		

Two gangs, 4PL (without wiring)

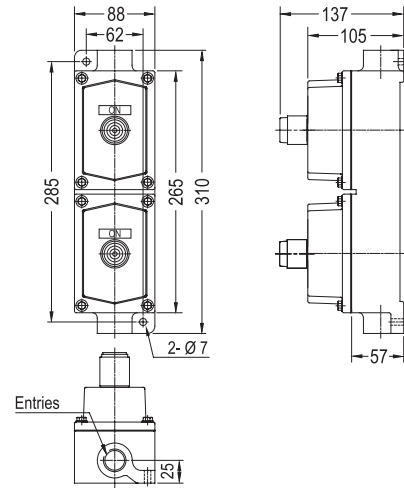
				PL1 Pilot Light, 220-230V.ac (Green) PL2 Pilot Light, 220-230V.ac (Red) PL3 Pilot Light, 220-230V.ac (Green) PL4 Pilot Light, 220-230V.ac (Red)
		Cat. No.		
		Dead-end/ Top	Dead-end/ Bottom	Through-feed
Entries	3/4" NPT	EPL2-22GRGR-TN2	EPL2-22GRGR-BN2	EPL2-22GRGR-CN2
	1" NPT	EPL2-22GRGR-TN3	EPL2-22GRGR-BN3	EPL2-22GRGR-CN3
Nameplate marking		RUN, STOP, RUN, STOP or Specify		
Volume (cm <sup>3</sup> )		640		
Approx. weight (kgs.)		3.19		

Three gangs, 6PL (without wiring)

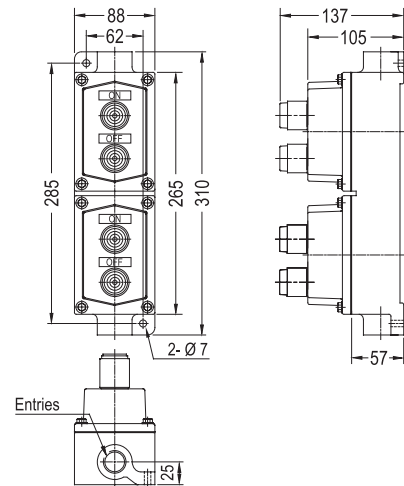
				PL1 Pilot Light, 220-230V.ac (Green) PL2 Pilot Light, 220-230V.ac (Red) PL3 Pilot Light, 220-230V.ac (Green) PL4 Pilot Light, 220-230V.ac (Red) PL5 Pilot Light, 220-230V.ac (Green) PL6 Pilot Light, 220-230V.ac (Red)
		Cat. No.		
		Dead-end/ Top	Dead-end/ Bottom	Through-feed
Entries	3/4" NPT	EPL3-22GRGRGR-TN2	EPL3-22GRGRGR-BN2	EPL3-22GRGRGR-CN2
	1" NPT	EPL3-22GRGRGR-TN3	EPL3-22GRGRGR-BN3	EPL3-22GRGRGR-CN3
Nameplate marking		RUN, STOP, RUN, STOP or Specify		
Volume (cm <sup>3</sup> )		960		
Approx. weight (kgs.)		3.33		

## Dimension

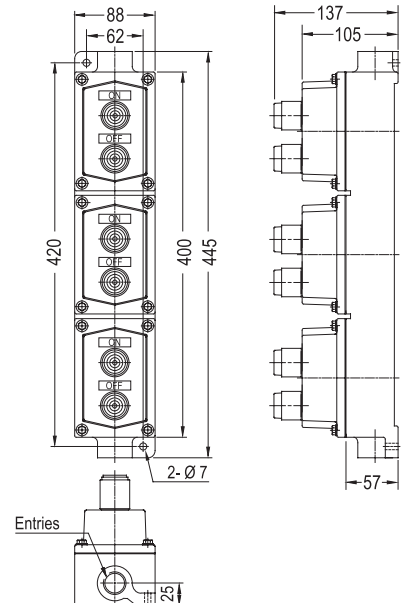
Two gangs, 2PL



Two gangs, 4PL



Three gangs, 6PL



## Ordering Requirements

### Single gang, 1PL+1PB (without wiring)

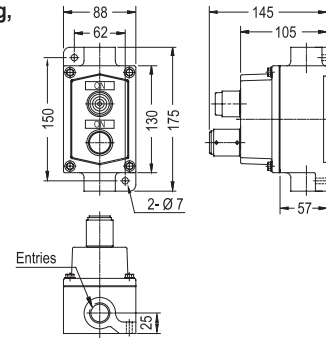
		PL Pilot Light, 220-230V.ac (Green) PB Push button, 1NO (momentary)		
<b>Cat. No.</b>				
	<b>Dead-end/ Top</b>	<b>Dead-end/ Bottom</b>	<b>Through-feed</b>	
Entries	1/2" NPT	EPBL1-A22G-TN1	EPBL1-A22G-BN1	EPBL1-A22G-CN1
	3/4" NPT	EPBL1-A22G-TN2	EPBL1-A22G-BN2	EPBL1-A22G-CN2
Nameplate marking		RUN, START or ON, ON or Specify		
Volume (cm <sup>3</sup> )		320		
Approx. weight (kgs.)		2.35		

		PL Pilot Light, 220-230V.ac (Green) PB Push button, 1NC (momentary)		
<b>Cat. No.</b>				
	<b>Dead-end/ Top</b>	<b>Dead-end/ Bottom</b>	<b>Through-feed</b>	
Entries	1/2" NPT	EPBL1-B22G-TN1	EPBL1-B22G-BN1	EPBL1-B22G-CN1
	3/4" NPT	EPBL1-B22G-TN2	EPBL1-B22G-BN2	EPBL1-B22G-CN2
Nameplate marking		STOP, STOP or OFF, OFF or Specify		
Volume (cm <sup>3</sup> )		320		
Approx. weight (kgs.)		2.35		

		PL Pilot Light, 220-230V.ac (Green) PB Push button, 1NO-1NC (momentary)		
<b>Cat. No.</b>				
	<b>Dead-end/ Top</b>	<b>Dead-end/ Bottom</b>	<b>Through-feed</b>	
Entries	1/2" NPT	EPBL1-C22G-TN1	EPBL1-C22G-BN1	EPBL1-C22G-CN1
	3/4" NPT	EPBL1-C22G-TN2	EPBL1-C22G-BN2	EPBL1-C22G-CN2
Nameplate marking		RUN, START or ON, ON or Specify		
Volume (cm <sup>3</sup> )		320		
Approx. weight (kgs.)		2.35		

### Dimension

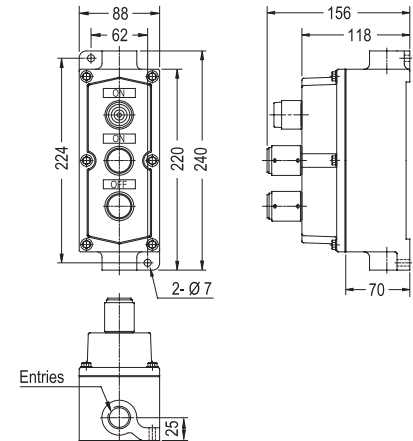
#### Single gang, 1PL+1PB



### Single gang, 1PL+2PB (without wiring)

		PL Pilot Light, 220-230V.ac (Green) PB1 Push button, 1NO (momentary) PB2 Push button, 1NC (momentary)		
<b>Cat. No.</b>				
	<b>Dead-end/ Top</b>	<b>Dead-end/ Bottom</b>	<b>Through-feed</b>	
Entries	1/2" NPT	EPBL1-AB22G-TN1	EPBL1-AB22G-BN1	EPBL1-AB22G-CN1
	3/4" NPT	EPBL1-AB22G-TN2	EPBL1-AB22G-BN2	EPBL1-AB22G-CN2
Nameplate marking		RUN, START, STOP or ON, ON, OFF or Specify		
Volume (cm <sup>3</sup> )		1,180		
Approx. weight (kgs.)		2.35		

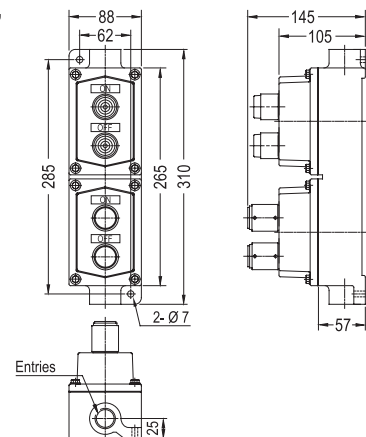
#### Single gang, 1PL+2PB



### Two gangs, 2PL+2PB (without wiring)

		PL1 Pilot Light, 220-230V.AC (Green) PL2 Pilot Light, 220-230V.AC (Red) PB1 Push button, 1NO (momentary) PB2 Push button, 1NC (momentary)		
<b>Cat. No.</b>				
	<b>Dead-end/ Top</b>	<b>Dead-end/ Bottom</b>	<b>Through-feed</b>	
Entries	1/2" NPT	EPBL2-AB22GR-TN1	EPBL2-AB22GR-BN1	EPBL2-AB22GR-CN1
	3/4" NPT	EPBL2-AB22GR-TN2	EPBL2-AB22GR-BN2	EPBL2-AB22GR-CN2
Nameplate marking		RUN, STOP, START, STOP or ON, OFF, ON, OFF or Specify		
Volume (cm <sup>3</sup> )		1,180		
Approx. weight (kgs.)		2.35		

#### Two gangs, 2PL+2PB



# Control Station and Control Panel: Emergency Push Button (Red), EEM series

Flameproof and Dust protection by enclosure

Zone 1 & 2 – 22



## Ordering Requirements

		Mushroom-Head Push button, 1NC (push-pull)	Cat. No.		
			Dead-end/ Top	Dead-end/ Bottom	Through-feed
Entries	1/2" NPT	EEM1-BP-TN1	EEM1-BP-BN1	EEM1-BP-CN1	
	3/4" NPT	EEM1-BP-TN2	EEM1-BP-BN2	EEM1-BP-CN2	
Nameplate marking		EMERGENCY STOP			
Volume (cm <sup>3</sup> )		320			
Approx. weight (kgs.)		1.75			

		Mushroom-Head Push button, 1NO-1NC (push-pull)	Cat. No.		
			Dead-end/ Top	Dead-end/ Bottom	Through-feed
Entries	1/2" NPT	EEM1-CP-TN1	EEM1-CP-BN1	EEM1-CP-CN1	
	3/4" NPT	EEM1-CP-TN2	EEM1-CP-BN2	EEM1-CP-CN2	
Nameplate marking		EMERGENCY STOP			
Volume (cm <sup>3</sup> )		320			
Approx. weight (kgs.)		1.75			

		Mushroom-Head Push button, 2NC (push-pull)	Cat. No.		
			Dead-end/ Top	Dead-end/ Bottom	Through-feed
Entries	1/2" NPT	EEM1-EP-TN1	EEM1-EP-BN1	EEM1-EP-CN1	
	3/4" NPT	EEM1-EP-TN2	EEM1-EP-BN2	EEM1-EP-CN2	
Nameplate marking		EMERGENCY STOP			
Volume (cm <sup>3</sup> )		320			
Approx. weight (kgs.)		1.75			

		Mushroom-Head Push button, 1NC (push-lock Turn to release)	Cat. No.		
			Dead-end/ Top	Dead-end/ Bottom	Through-feed
Entries	1/2" NPT	EEM1-BL-TN1	EEM1-BL-BN1	EEM1-BL-CN1	
	3/4" NPT	EEM1-BL-TN2	EEM1-BL-BN2	EEM1-BL-CN2	
Nameplate marking		EMERGENCY STOP			
Volume (cm <sup>3</sup> )		320			
Approx. weight (kgs.)		1.75			

		Mushroom-Head Push button, 1NO-1NC (push-lock Turn to release)	Cat. No.		
			Dead-end/ Top	Dead-end/ Bottom	Through-feed
Entries	1/2" NPT	EEM1-CL-TN1	EEM1-CL-BN1	EEM1-CL-CN1	
	3/4" NPT	EEM1-CL-TN2	EEM1-CL-BN2	EEM1-CL-CN2	
Nameplate marking		EMERGENCY STOP			
Volume (cm <sup>3</sup> )		320			
Approx. weight (kgs.)		1.75			

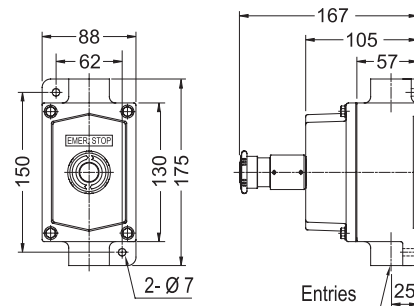
		Mushroom-Head Push button, 2NC (push-lock Turn to release)	Cat. No.		
			Dead-end/ Top	Dead-end/ Bottom	Through-feed
Entries	1/2" NPT	EEM1-EL-TN1	EEM1-EL-BN1	EEM1-EL-CN1	
	3/4" NPT	EEM1-EL-TN2	EEM1-EL-BN2	EEM1-EL-CN2	
Nameplate marking		EMERGENCY STOP			
Volume (cm <sup>3</sup> )		320			
Approx. weight (kgs.)		1.75			

		Mushroom-Head Push button, 1NC (push-lock Key to release)	Cat. No.		
			Dead-end/ Top	Dead-end/ Bottom	Through-feed
Entries	1/2" NPT	EEM1-BK-TN1	EEM1-BK-BN1	EEM1-BK-CN1	
	3/4" NPT	EEM1-BK-TN2	EEM1-BK-BN2	EEM1-BK-CN2	
Nameplate marking		EMERGENCY STOP			
Volume (cm <sup>3</sup> )		320			
Approx. weight (kgs.)		1.75			

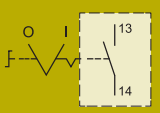

		Mushroom-Head Push button, 1NO-1NC (push-lock Key to release)	Cat. No.		
			Dead-end/ Top	Dead-end/ Bottom	Through-feed
Entries	1/2" NPT	EEM1-CK-TN1	EEM1-CK-BN1	EEM1-CK-CN1	
	3/4" NPT	EEM1-CK-TN2	EEM1-CK-BN2	EEM1-CK-CN2	
Nameplate marking		EMERGENCY STOP			
Volume (cm <sup>3</sup> )		320			
Approx. weight (kgs.)		1.75			

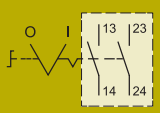

		Mushroom-Head Push button, 2NC (push-lock Key to release)	Cat. No.		
			Dead-end/ Top	Dead-end/ Bottom	Through-feed
Entries	1/2" NPT	EEM1-EK-TN1	EEM1-EK-BN1	EEM1-EK-CN1	
	3/4" NPT	EEM1-EK-TN2	EEM1-EK-BN2	EEM1-EK-CN2	
Nameplate marking		EMERGENCY STOP			
Volume (cm <sup>3</sup> )		320			
Approx. weight (kgs.)		1.75			

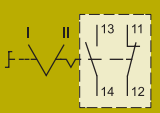

## Dimension

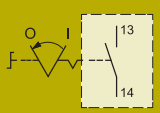



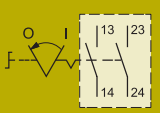

## Ordering Requirements

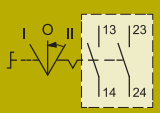

		 SL Selector Switch, 2-Positions 1NO (Stay put)		
		Cat. No.		
		Dead-end/ Top	Dead-end/ Bottom	Through-feed
Entries	1/2" NPT	ESL1-2A-TN1	ESL1-2A-BN1	ESL1-2A-CN1
	3/4" NPT	ESL1-2A-TN2	ESL1-2A-BN2	ESL1-2A-CN2
Nameplate marking		OFF-ON		
Volume (cm <sup>3</sup> )		320		
Approx. weight (kgs.)		1.75		



		 SL Selector Switch, 2-Positions 2NO (Stay put)		
		Cat. No.		
		Dead-end/ Top	Dead-end/ Bottom	Through-feed
Entries	1/2" NPT	ESL1-2D-TN1	ESL1-2D-BN1	ESL1-2D-CN1
	3/4" NPT	ESL1-2D-TN2	ESL1-2D-BN2	ESL1-2D-CN2
Nameplate marking		OFF-ON		
Volume (cm <sup>3</sup> )		320		
Approx. weight (kgs.)		1.75		

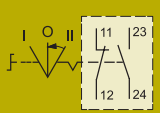

		 SL Selector Switch, 2-Positions 1NO-1NC (Stay put)		
		Cat. No.		
		Dead-end/ Top	Dead-end/ Bottom	Through-feed
Entries	1/2" NPT	ESL1-2C-TN1	ESL1-2C-BN1	ESL1-2C-CN1
	3/4" NPT	ESL1-2C-TN2	ESL1-2C-BN2	ESL1-2C-CN2
Nameplate marking		MAN-AUTO		
Volume (cm <sup>3</sup> )		320		
Approx. weight (kgs.)		1.75		

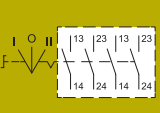

		 SL Selector Switch, 2-Positions 1NO (Spring return from Right)		
		Cat. No.		
		Dead-end/ Top	Dead-end/ Bottom	Through-feed
Entries	1/2" NPT	ESL1-2AS-TN1	ESL1-2AS-BN1	ESL1-2AS-CN1
	3/4" NPT	ESL1-2AS-TN2	ESL1-2AS-BN2	ESL1-2AS-CN2
Nameplate marking		OFF-ON		
Volume (cm <sup>3</sup> )		320		
Approx. weight (kgs.)		1.75		

		 SL Selector Switch, 2-Positions 2NO (Spring return from Right)		
		Cat. No.		
		Dead-end/ Top	Dead-end/ Bottom	Through-feed
Entries	1/2" NPT	ESL1-2DS-TN1	ESL1-2DS-BN1	ESL1-2DS-CN1
	3/4" NPT	ESL1-2DS-TN2	ESL1-2DS-BN2	ESL1-2DS-CN2
Nameplate marking		OFF-ON		
Volume (cm <sup>3</sup> )		320		
Approx. weight (kgs.)		1.75		

		 SL Selector Switch, 3-Positions 2NO (Spring return from Right)		
		Cat. No.		
		Dead-end/ Top	Dead-end/ Bottom	Through-feed
Entries	1/2" NPT	ESL1-3DS-TN1	ESL1-3DS-BN1	ESL1-3DS-CN1
	3/4" NPT	ESL1-3DS-TN2	ESL1-3DS-BN2	ESL1-3DS-CN2
Nameplate marking		MAN-OFF-AUTO		
Volume (cm <sup>3</sup> )		320		
Approx. weight (kgs.)		1.75		

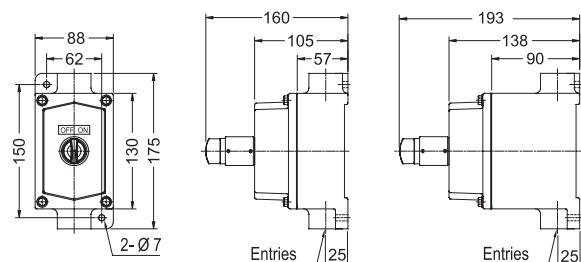
		 SL Selector Switch, 3-Positions 2NO (Stay put)		
		Cat. No.		
		Dead-end/ Top	Dead-end/ Bottom	Through-feed
Entries	1/2" NPT	ESL1-3D-TN1	ESL1-3D-BN1	ESL1-3D-CN1
	3/4" NPT	ESL1-3D-TN2	ESL1-3D-BN2	ESL1-3D-CN2
Nameplate marking		MAN-OFF-AUTO		
Volume (cm <sup>3</sup> )		320		
Approx. weight (kgs.)		1.75		

		 SL Selector Switch, 3-Positions 1NO-1NC (Spring return from Right)		
		Cat. No.		
		Dead-end/ Top	Dead-end/ Bottom	Through-feed
Entries	1/2" NPT	ESL1-3CS-TN1	ESL1-3CS-BN1	ESL1-3CS-CN1
	3/4" NPT	ESL1-3CS-TN2	ESL1-3CS-BN2	ESL1-3CS-CN2
Nameplate marking		OFF-OPER-ON		
Volume (cm <sup>3</sup> )		320		
Approx. weight (kgs.)		1.75		

		 SL Selector Switch, 3-Positions 4NO (Stay put) *1		
		Cat. No.		
		Dead-end/ Top	Dead-end/ Bottom	Through-feed
Entries	1/2" NPT	ESL1-3F-TN1	ESL1-3F-BN1	ESL1-3F-CN1
	3/4" NPT	ESL1-3F-TN2	ESL1-3F-BN2	ESL1-3F-CN2
Nameplate marking		MAN-OFF-AUTO		
Volume (cm <sup>3</sup> )		320		
Approx. weight (kgs.)		1.75		

## Dimension

\*1 4NO contact uses the height below.







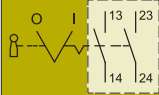

# Control Station and Control Panel: Key Selector Switch, EKS series

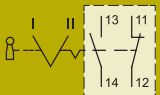

Flameproof and Dust protection by enclosure



Zone 1 & 2 – 22

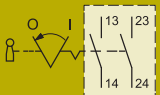

## Ordering Requirements

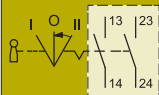

		 Key Selector Switch, 2-Positions 1NO (Stay put)		
		<b>Cat. No.</b>		
		Dead-end/ Top	Dead-end/ Bottom	Through-feed
Entries	1/2" NPT	<b>EKS1-2A-TN1</b>	<b>EKS1-2A-BN1</b>	<b>EKS1-2A-CN1</b>
	3/4" NPT	<b>EKS1-2A-TN2</b>	<b>EKS1-2A-BN2</b>	<b>EKS1-2A-CN2</b>
Nameplate marking		OFF-ON		
Volume (cm <sup>3</sup> )		320		
Approx. weight (kgs.)		1.75		

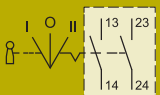

		 Key Selector Switch, 2-Positions 2NO (Stay put)		
		<b>Cat. No.</b>		
		Dead-end/ Top	Dead-end/ Bottom	Through-feed
Entries	1/2" NPT	<b>EKS1-2D-TN1</b>	<b>EKS1-2D-BN1</b>	<b>EKS1-2D-CN1</b>
	3/4" NPT	<b>EKS1-2D-TN2</b>	<b>EKS1-2D-BN2</b>	<b>EKS1-2D-CN2</b>
Nameplate marking		OFF-ON		
Volume (cm <sup>3</sup> )		320		
Approx. weight (kgs.)		1.75		

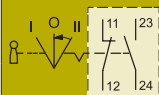

		 Key Selector Switch, 2-Positions 1NO-1NC (Stay put)		
		<b>Cat. No.</b>		
		Dead-end/ Top	Dead-end/ Bottom	Through-feed
Entries	1/2" NPT	<b>EKS1-2C-TN1</b>	<b>EKS1-2C-BN1</b>	<b>EKS1-2C-CN1</b>
	3/4" NPT	<b>EKS1-2C-TN2</b>	<b>EKS1-2C-BN2</b>	<b>EKS1-2C-CN2</b>
Nameplate marking		MAN-AUTO		
Volume (cm <sup>3</sup> )		320		
Approx. weight (kgs.)		1.75		

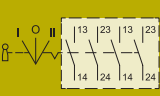

		 Key Selector Switch, 2-Positions 1NO (Spring return from Right)		
		<b>Cat. No.</b>		
		Dead-end/ Top	Dead-end/ Bottom	Through-feed
Entries	1/2" NPT	<b>EKS1-2AS-TN1</b>	<b>EKS1-2AS-BN1</b>	<b>EKS1-2AS-CN1</b>
	3/4" NPT	<b>EKS1-2AS-TN2</b>	<b>EKS1-2AS-BN2</b>	<b>EKS1-2AS-CN2</b>
Nameplate marking		OFF-ON		
Volume (cm <sup>3</sup> )		320		
Approx. weight (kgs.)		1.75		

		 Key Selector Switch, 2-Positions 2NO (Spring return from Right)		
		<b>Cat. No.</b>		
		Dead-end/ Top	Dead-end/ Bottom	Through-feed
Entries	1/2" NPT	<b>EKS1-2DS-TN1</b>	<b>EKS1-2DS-BN1</b>	<b>EKS1-2DS-CN1</b>
	3/4" NPT	<b>EKS1-2DS-TN2</b>	<b>EKS1-2DS-BN2</b>	<b>EKS1-2DS-CN2</b>
Nameplate marking		OFF-ON		
Volume (cm <sup>3</sup> )		320		
Approx. weight (kgs.)		1.75		

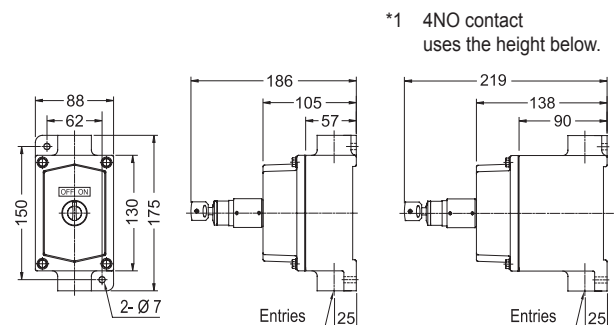
		 Key Selector Switch, 3-Positions 2NO (Spring return from Right)		
		<b>Cat. No.</b>		
		Dead-end/ Top	Dead-end/ Bottom	Through-feed
Entries	1/2" NPT	<b>EKS1-3DS-TN1</b>	<b>EKS1-3DS-BN1</b>	<b>EKS1-3DS-CN1</b>
	3/4" NPT	<b>EKS1-3DS-TN2</b>	<b>EKS1-3DS-BN2</b>	<b>EKS1-3DS-CN2</b>
Nameplate marking		MAN-OFF-AUTO		
Volume (cm <sup>3</sup> )		320		
Approx. weight (kgs.)		1.75		

		 Key Selector Switch, 3-Positions 2NO (Stay put)		
		<b>Cat. No.</b>		
		Dead-end/ Top	Dead-end/ Bottom	Through-feed
Entries	1/2" NPT	<b>EKS1-3D-TN1</b>	<b>EKS1-3D-BN1</b>	<b>EKS1-3D-CN1</b>
	3/4" NPT	<b>EKS1-3D-TN2</b>	<b>EKS1-3D-BN2</b>	<b>EKS1-3D-CN2</b>
Nameplate marking		MAN-OFF-AUTO		
Volume (cm <sup>3</sup> )		320		
Approx. weight (kgs.)		1.75		

		 Key Selector Switch, 3-Positions 1NO-1NC (Spring return from Right)		
		<b>Cat. No.</b>		
		Dead-end/ Top	Dead-end/ Bottom	Through-feed
Entries	1/2" NPT	<b>EKS1-3CS-TN1</b>	<b>EKS1-3CS-BN1</b>	<b>EKS1-3CS-CN1</b>
	3/4" NPT	<b>EKS1-3CS-TN2</b>	<b>EKS1-3CS-BN2</b>	<b>EKS1-3CS-CN2</b>
Nameplate marking		OFF-OPER-ON		
Volume (cm <sup>3</sup> )		320		
Approx. weight (kgs.)		1.75		

		 Key Selector Switch, 3-Positions 4NO (Stay put) *1		
		<b>Cat. No.</b>		
		Dead-end/ Top	Dead-end/ Bottom	Through-feed
Entries	1/2" NPT	<b>EKS1-3F-TN1</b>	<b>EKS1-3F-BN1</b>	<b>EKS1-3F-CN1</b>
	3/4" NPT	<b>EKS1-3F-TN2</b>	<b>EKS1-3F-BN2</b>	<b>EKS1-3F-CN2</b>
Nameplate marking		MAN-OFF-AUTO		
Volume (cm <sup>3</sup> )		320		
Approx. weight (kgs.)		1.75		

## Dimension





# Customized Control Station Specification Sheet

## EPB/ EPL/ EPBL/ ESL/ EKS/ EEM Series

Flameproof and Dust protection by enclosure

Zone 1 & 2 – 22

Project: \_\_\_\_\_ Date: \_\_\_\_\_

Customer: \_\_\_\_\_ Owner: \_\_\_\_\_

Contact person: \_\_\_\_\_

Tel: \_\_\_\_\_ Fax: \_\_\_\_\_ E-mail: \_\_\_\_\_

Quantity (Set)	
----------------	--

### Control Station Style

Single Gang, 1-unit   
  Single Gang, 2-units   
  Single Gang, 3-units   
  Two Gangs, 2-units   
  Two Gangs, 4-units   
  Three Gangs, 3-units   
  Three Gangs, 6-units

**Entries**

E1     1/2" NPT     3/4" NPT  
 E2     1/2" NPT     3/4" NPT

### Panel Mounted Operating Devices Specifications

Unit	Panel Mounted Operating Devices	Nameplate
①	<input type="checkbox"/> Pilot Light (Voltage/ Colour) _____ <input type="checkbox"/> Push Button (Contact/ Colour) _____ <input type="checkbox"/> Mushroom-head Push Button (Contact/ Colour) _____ <input type="checkbox"/> Selector Switch (Contact/ Position) _____ <input type="checkbox"/> Key Selector Switch (Contact/ Position) _____	<input type="checkbox"/> No nameplate <input type="checkbox"/> ON <input type="checkbox"/> OFF <input type="checkbox"/> RUN <input type="checkbox"/> OVERLOAD <input type="checkbox"/> TRIP <input type="checkbox"/> RESET <input type="checkbox"/> START <input type="checkbox"/> STOP <input type="checkbox"/> OFF-ON <input type="checkbox"/> MAN-OFF-AUTO <input type="checkbox"/> MAN-AUTO <input type="checkbox"/> EMER. STOP <input type="checkbox"/> Others _____
②	<input type="checkbox"/> Pilot Light (Voltage/ Colour) _____ <input type="checkbox"/> Push Button (Contact/ Colour) _____ <input type="checkbox"/> Mushroom-head Push Button (Contact/ Colour) _____ <input type="checkbox"/> Selector Switch (Contact/ Position) _____ <input type="checkbox"/> Key Selector Switch (Contact/ Position) _____	<input type="checkbox"/> No nameplate <input type="checkbox"/> ON <input type="checkbox"/> OFF <input type="checkbox"/> RUN <input type="checkbox"/> OVERLOAD <input type="checkbox"/> TRIP <input type="checkbox"/> RESET <input type="checkbox"/> START <input type="checkbox"/> STOP <input type="checkbox"/> OFF-ON <input type="checkbox"/> MAN-OFF-AUTO <input type="checkbox"/> MAN-AUTO <input type="checkbox"/> EMER. STOP <input type="checkbox"/> Others _____
③	<input type="checkbox"/> Pilot Light (Voltage/ Colour) _____ <input type="checkbox"/> Push Button (Contact/ Colour) _____ <input type="checkbox"/> Mushroom-head Push Button (Contact/ Colour) _____ <input type="checkbox"/> Selector Switch (Contact/ Position) _____ <input type="checkbox"/> Key Selector Switch (Contact/ Position) _____	<input type="checkbox"/> No nameplate <input type="checkbox"/> ON <input type="checkbox"/> OFF <input type="checkbox"/> RUN <input type="checkbox"/> OVERLOAD <input type="checkbox"/> TRIP <input type="checkbox"/> RESET <input type="checkbox"/> START <input type="checkbox"/> STOP <input type="checkbox"/> OFF-ON <input type="checkbox"/> MAN-OFF-AUTO <input type="checkbox"/> MAN-AUTO <input type="checkbox"/> EMER. STOP <input type="checkbox"/> Others _____
④	<input type="checkbox"/> Pilot Light (Voltage/ Colour) _____ <input type="checkbox"/> Push Button (Contact/ Colour) _____ <input type="checkbox"/> Mushroom-head Push Button (Contact/ Colour) _____ <input type="checkbox"/> Selector Switch (Contact/ Position) _____ <input type="checkbox"/> Key Selector Switch (Contact/ Position) _____	<input type="checkbox"/> No nameplate <input type="checkbox"/> ON <input type="checkbox"/> OFF <input type="checkbox"/> RUN <input type="checkbox"/> OVERLOAD <input type="checkbox"/> TRIP <input type="checkbox"/> RESET <input type="checkbox"/> START <input type="checkbox"/> STOP <input type="checkbox"/> OFF-ON <input type="checkbox"/> MAN-OFF-AUTO <input type="checkbox"/> MAN-AUTO <input type="checkbox"/> EMER. STOP <input type="checkbox"/> Others _____
⑤	<input type="checkbox"/> Pilot Light (Voltage/ Colour) _____ <input type="checkbox"/> Push Button (Contact/ Colour) _____ <input type="checkbox"/> Mushroom-head Push Button (Contact/ Colour) _____ <input type="checkbox"/> Selector Switch (Contact/ Position) _____ <input type="checkbox"/> Key Selector Switch (Contact/ Position) _____	<input type="checkbox"/> No nameplate <input type="checkbox"/> ON <input type="checkbox"/> OFF <input type="checkbox"/> RUN <input type="checkbox"/> OVERLOAD <input type="checkbox"/> TRIP <input type="checkbox"/> RESET <input type="checkbox"/> START <input type="checkbox"/> STOP <input type="checkbox"/> OFF-ON <input type="checkbox"/> MAN-OFF-AUTO <input type="checkbox"/> MAN-AUTO <input type="checkbox"/> EMER. STOP <input type="checkbox"/> Others _____
⑥	<input type="checkbox"/> Pilot Light (Voltage/ Colour) _____ <input type="checkbox"/> Push Button (Contact/ Colour) _____ <input type="checkbox"/> Mushroom-head Push Button (Contact/ Colour) _____ <input type="checkbox"/> Selector Switch (Contact/ Position) _____ <input type="checkbox"/> Key Selector Switch (Contact/ Position) _____	<input type="checkbox"/> No nameplate <input type="checkbox"/> ON <input type="checkbox"/> OFF <input type="checkbox"/> RUN <input type="checkbox"/> OVERLOAD <input type="checkbox"/> TRIP <input type="checkbox"/> RESET <input type="checkbox"/> START <input type="checkbox"/> STOP <input type="checkbox"/> OFF-ON <input type="checkbox"/> MAN-OFF-AUTO <input type="checkbox"/> MAN-AUTO <input type="checkbox"/> EMER. STOP <input type="checkbox"/> Others _____

### Nameplate Specifications

Material: Acrylic multipolymer (12 x 40mm.)

Legend colour: Black letter, white background

Page D3/77



Pilot Light, DPL series

Page D3/77



Push Button, DPB series

Page D4/77



Mushroom-Head Push Button, DMPB series

Page D5/77



Selector Switch, DSL series

Page D5/77



Key Selector Switch, DSL series