

Signal and Alarm: Obstacle Light, EOB Series

Flameproof and Dust protection by enclosure

Zone 1 & 2 – 21 & 22



Application

The EOB obstacle lights are designed for aviation warning purpose. They are suitable for installation on towers or tall buildings in zone 1, 2 and zone 21, 22 hazardous areas.

Specification

- Body material : Marine grade copper-free aluminium alloy with polyester powder coated, RAL 7032 (grey)
- Globe : Borosilicate glass
- Filter : Plastic
- Guard, bolts : Stainless steel, SUS 304
- Sealing (O-ring) : Silicone

Technical Data

Hazardous Area	Gas	Dust
Zones	1 & 2	21 & 22
Equipment Group/Category	II 2G	II 2D
Symbol of Protection	Ex d IIB T6/ T5 Gb	Ex tb IIIC T80°C/ T100°C Db
Conformity to Standards	EN IEC 60079-0:2018, EN 60079-1:2014, EN 60079-31:2014	
Ambient Temperature	-20°C to +55°C	
Index of Protection	IP66	
Entries	3/4" NPT or M25x1.5	
Mounting	Ceiling, Pendant or Bracket mounting	
Rated Voltage	220V.ac 50Hz.	



Ceiling mounting

Pendant mounting



Bracket mounting

Catalogue Number Logic

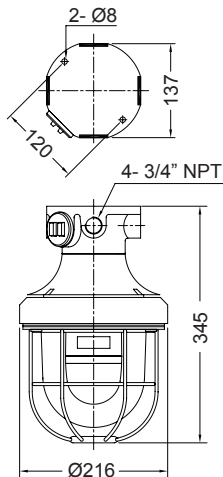
EOB -	■ ■	■ ■	△	□
Series	Lamp Watt (see catalogue number table)	Type	Lens colour	Mounting
		IN Incandescent	R Red	C Ceiling
		CF Compact fluorescent	O Orange	P Pendant
		LED LED bulb	G Green	B Bracket

Ordering Requirements

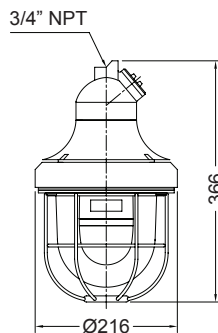
Cat. No.	Lamp Watts	Temp. Class (for zone 1 & 2)		Max. Surface Temp.* (for zone 21 & 22)		Volume (cm³)	Approx. Weight (kgs.)
		Ta 40°C	Ta 55°C	Ta 40°C	Ta 55°C		
Incandescent Lamp ● ● ●							
EOB-60IN △ □	60W.	T6	T5	T80°C	T100°C	3,920	7.95
EOB-100IN △ □	100W.						
Compact Fluorescent Lamp ● ● ●							
EOB-11CF △ □	11W.	T6	T5	T80°C	T100°C	3,920	7.89
EOB-15CF △ □	15W.						
LED Bulb ● ● ●							
EOB-04LED △ □	4W.	T6	T5	T80°C	T100°C	3,920	7.75
EOB-06LED △ □	6W.						
EOB-08LED △ □	8W.						
EOB-10LED △ □	10W.						

Remark * : The maximum surface temperatures are specified for dust free condition. The dust layer which may cover around the lighting fixture will cause to higher surface temperature.

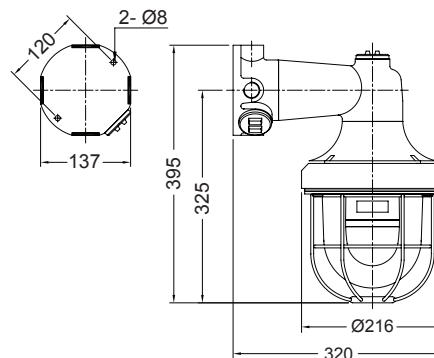
Dimension



Ceiling mounting



Pendant mounting



Bracket mounting

