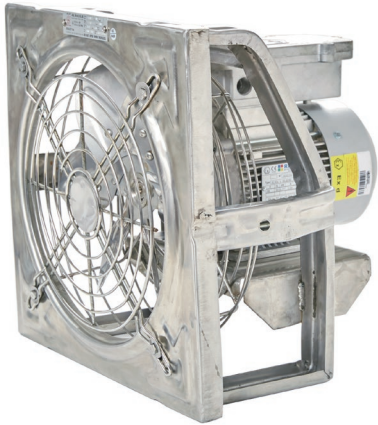


Application

The Exhaust fan is a fan that serves to suck air from the inside to the outside area or to continue the process of air conditioning. Exhaust fans help to ventilate or suck air that has unwanted odors or contaminants from the room/area to be controlled.

Specification

- Motor housing : Cast aluminium with polyester powder coated
- Fan's blade : Polished aluminium or ABS (Acrylonitrile Butadiene Styrene)
- Frame, Guard, Bracket : Stainless steel, SUS 304



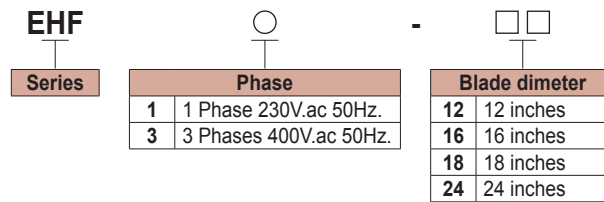
Technical Data

Hazardous Area	Gas	Dust
Zones	1 & 2	21 & 22
Motor	3 Phases 400V.ac 50Hz.	
Equipment Group/Category	II 2G	II 2D
Symbol of Protection	Ex db IIB T5/ T4 Gb	Ex tb IIIC T100°C/ T135°C Db
Certificate (motor)	TÜV IT 13 ATEX 039 X (RAEL motor)	
Index of Protection	IP66	

Motor	1 Phase 230V.ac 50Hz.	
Equipment Group/Category	II 2G	II 2D
Symbol of Protection	Ex db IIB T4 Gb	Ex tb IIIC T135°C Db
Certificate (motor)	TÜV IT 14 ATEX 029 X (RAEL motor)	
Index of Protection	IP66	
Conformity to Standards	EN IEC 60079-0:2018, EN 60079-1:2014, EN 60079-31:2014	
Ambient Temperature	-20°C to +60°C	

Entries	2- M20x1.5
Mounting	Wall mounting
Rated Voltage	230V.ac or 400V.ac. 50Hz.

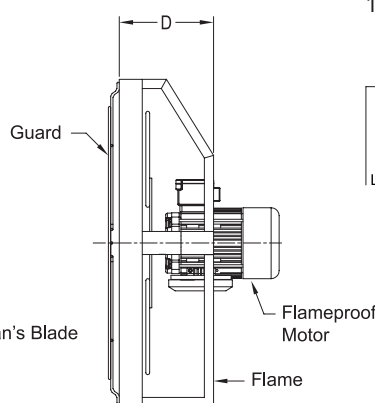
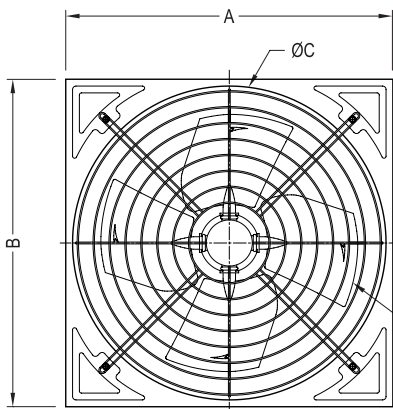
Catalogue Number Logic



Ordering Requirements

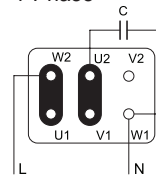
Cat. No.		Blade Diameter	CFM	Dimension in mm.				Approx. Weight (kgs.)
230V.ac 50Hz.	400V.ac 50Hz.			A	B	Ø C	D	
EHF 112	EHF 312	12 inches	900	410	410	Ø 315	203	23.0
EHF 116	EHF 316	16 inches	2100	510	510	Ø 400	203	25.0
EHF 118	EHF 318	18 inches	3000	560	560	Ø 460	203	26.0
EHF 124	EHF 324	24 inches	4500	710	710	Ø 615	203	36.0

Dimension



Connection

1-Phase



3-Phases

