

## Application

The ECH flexible cushion fixture hangers are used for zone 1, 2 and zone 22 hazardous areas

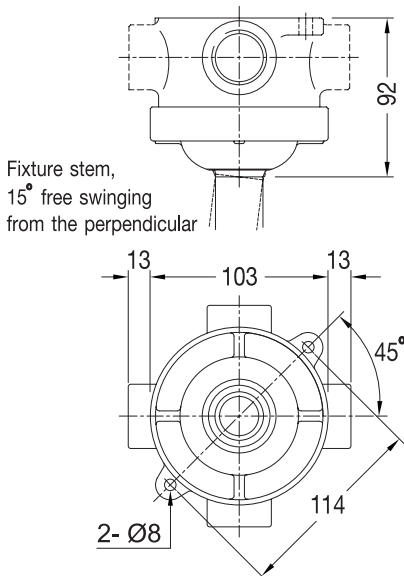
- for suspension of H.I.D., fluorescent or incandescent lighting fixtures.
- to protect the fixture, stem and to support outlet box from damage in an accidental shock or vibration.

## Specification

Body material : Marine grade copper-free aluminium alloy with polyester powder coated, RAL 7032 (Grey)



## Dimension



## Technical Data

<b>Hazardous Area</b>	<b>Gas</b>	<b>Dust</b>
<b>Zones</b>	1 & 2	22
<b>Equipment Group/Category</b>	II 2G	II 3D
<b>Symbol of Protection</b>	Ex d IIB Gb	Ex tc IIIB Dc
<b>Conformity to Standards</b>	EN IEC 60079-0:2018, EN 60079-1:2014, EN 60079-31:2014	
<b>Ambient Temperature</b>	-20°C to +75°C	
<b>Index of Protection</b>	IP54	

## Catalogue Number Logic

<b>ECH</b>	○	■	■
<b>Series</b>	<b>Type</b>	<b>Entries</b>	<b>Fixture stem</b>
C	2-hubs straight	1 1/2" NPT	1 1/2" NPT
L	2-hubs angle	2 3/4" NPT	2 3/4" NPT
T	3-hubs		
X	4-hubs		

## Ordering Requirements

Cat. No.	Diagram	Entries Thread	Fixture Stem Size	Volume (cm <sup>3</sup> )	Approx. Weight (kgs.)
<b>2- Hubs straight</b>					
ECHC 11		1/2" NPT	1/2" NPT	390	0.766
ECHC 12			3/4" NPT		
ECHC 21		3/4" NPT	1/2" NPT	390	0.837
ECHC 22			3/4" NPT		
<b>2- Hubs angle</b>					
ECHL 11		1/2" NPT	1/2" NPT	390	0.766
ECHL 12			3/4" NPT		
ECHL 21		3/4" NPT	1/2" NPT	390	0.837
ECHL 22			3/4" NPT		
<b>3- Hubs</b>					
ECHT 11		1/2" NPT	1/2" NPT	400	0.885
ECHT 12			3/4" NPT		
ECHT 21		3/4" NPT	1/2" NPT	400	0.887
ECHT 22			3/4" NPT		
<b>4- Hubs</b>					
ECHX 11		1/2" NPT	1/2" NPT	400	0.898
ECHX 12			3/4" NPT		
ECHX 21		3/4" NPT	1/2" NPT	400	0.868
ECHX 22			3/4" NPT		

**Note :** For entries by conduit, the sealing fitting and compound (flame arresting element) shall be used at the point of entries to lighting fixture.