

Fixture Accessories: Fixture Hanger, EBH Series

Flameproof and Dust protection by enclosure

Zone 1 & 2 – 22



Application

The EBH fixture hangers are designed for suspension or pipe pendant mounting of the lighting fixtures. They are suitable for use in zone 1, 2 and zone 22 explosive atmospheres.

Specification

Body material : Marine grade copper-free aluminium alloy with polyester powder coated, RAL 7032 (Grey)

Technical Data

| | | |
|---------------------------------|--|----------------------|
| Hazardous Area | Gas | Dust |
| Zones | 1 & 2 | 22 |
| Equipment Group/Category | II 2G | II 3D |
| Symbol of Protection | Ex d IIB Gb | Ex tc IIIB Dc |
| Conformity to Standards | EN IEC 60079-0:2018, EN 60079-1:2014, EN 60079-31:2014 | |
| Ambient Temperature | -20°C to +75°C | |
| Index of Protection | IP54 | |

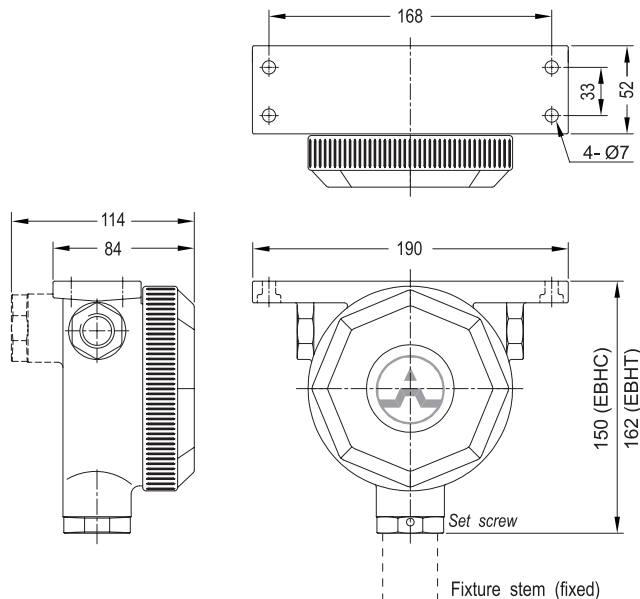
Catalogue Number Logic

| | | | |
|---------------|------------------------|-------------------|---------------------|
| EBH | ○ | ■ | ■ |
| Series | Type | Entries | Fixture stem |
| C | 2-hubs straight | 1 1/2" NPT | 1 1/2" NPT |
| T | 3-hubs | 2 3/4" NPT | 2 3/4" NPT |

Ordering Requirements

| Cat. No. | Diagram | Entries Thread | Fixture Stem Size | Volume (cm ³) | Approx. Weight (kgs.) |
|-------------------------|---------|----------------|-------------------|---------------------------|-----------------------|
| 2- Hubs straight | | | | | |
| EBHC 11 | | 1/2" NPT | 1/2" NPT | 520 | 1.505 |
| EBHC 12 | | | 3/4" NPT | | |
| EBHC 21 | | 3/4" NPT | 1/2" NPT | 520 | 1.465 |
| EBHC 22 | | | 3/4" NPT | | |
| 3- Hubs | | | | | |
| EBHT 11 | | 1/2" NPT | 1/2" NPT | 520 | 1.603 |
| EBHT 12 | | | 3/4" NPT | | |
| EBHT 21 | | 3/4" NPT | 1/2" NPT | 520 | 1.603 |
| EBHT 22 | | | 3/4" NPT | | |

Dimension



EBHC



EBHT

