



Control Station and Control Panel: Emergency Control Station (Break-Glass type), EAS series

Flameproof and Dust protection by enclosure

Zone 1 & 2 – 22

Application

The EAS emergency control stations are used as the "Break-Glass" fire alarm station for conjunction with audible and/or visible signaling devices. It is suitable for zone 1, 2 and zone 22 hazardous areas.

Specification

Body, cover, : Marine grade copper-free aluminium alloy with polyester powder coated, RAL 7032 (Grey)
 hammer :
 Bolt, chain : Stainless steel, SUS 304

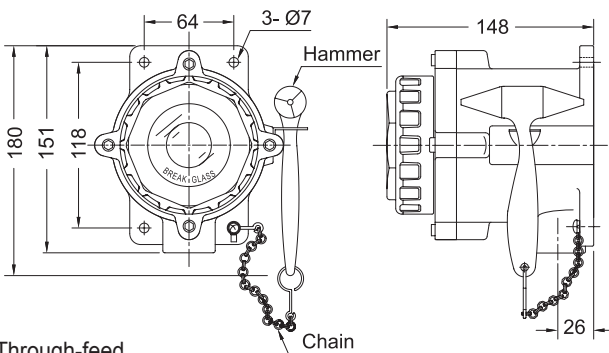
Electrical Rating

3A, 220V.ac (10A. rated thermal current)

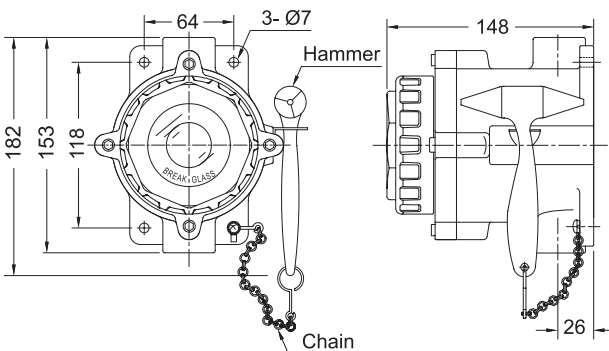


Dimension

Dead-end/ Bottom



Through-feed



Technical Data

Hazardous Area	Gas	Dust
Zones	1 & 2	22
Equipment Group/Category	II 2G	II 3D
Symbol of Protection	Ex d IIB T6/T5 Gb	Ex tc IIIB T80°C/ T95°C Dc
Conformity to Standards	EN IEC 60079-0:2018, EN 60079-1:2014, EN 60079-31:2014	
Ambient Temperature	-20°C to +55°C	
Index of Protection	IP54	
Entries	1/2" NPT, 3/4" NPT or M20x1.5, M25x1.5	
Mounting	Wall mount	

Catalogue Number Logic

EAS	-	-	-
Series	Contact (Momentary)	Entries	
A	1NO	Dead-end/ Bottom	Through-feed
B	1NC	BN1 1/2" NPT	CN1 1/2" NPT
C	1NO-1NC	BN2 3/4" NPT	CN2 3/4" NPT
		BM1 M20x1.5	CM1 M20x1.5
		BM2 M25x1.5	CM2 M25x1.5

Ordering Requirements

	Mushroom-Head Push button, 1NO (Momentary) (Red) (contact as NC, will change to NO when the glass broken.)
Cat. No.	
Entries	Dead-end/ Bottom Through-feed
1/2" NPT	EAS-A-BN1 EAS-A-CN1
3/4" NPT	EAS-A-BN2 EAS-A-CN2
M20x1.5	EAS-A-BM1 EAS-A-CM1
M25x1.5	EAS-A-BM2 EAS-A-CM2
Volume (cm ³)	740
Approx. weight : 1.75 kgs.	

	Mushroom-Head Push button, 1NC (Momentary) (Red) (contact as NO, will change to NC when the glass broken.)
Cat. No.	
Entries	Dead-end/ Bottom Through-feed
1/2" NPT	EAS-B-BN1 EAS-B-CN1
3/4" NPT	EAS-B-BN2 EAS-B-CN2
M20x1.5	EAS-B-BM1 EAS-B-CM1
M25x1.5	EAS-B-BM2 EAS-B-CM2
Volume (cm ³)	740
Approx. weight : 1.75 kgs.	

	Mushroom-Head Push button, 1NO-1NC (Momentary) (Red) (contact as 1NC-1NO, will change to 1NO-1NC when the glass broken.)
Cat. No.	
Entries	Dead-end/ Bottom Through-feed
1/2" NPT	EAS-C-BN1 EAS-C-CN1
3/4" NPT	EAS-C-BN2 EAS-C-CN2
M20x1.5	EAS-C-BM1 EAS-C-CM1
M25x1.5	EAS-C-BM2 EAS-C-CM2
Volume (cm ³)	740
Approx. weight : 1.77 kgs.	