

Lighting: H.I.D. (High Intensity Discharge) Lighting Fixture, DMV1, DPS1, DMH1 Series

Flameproof/ Increased Safety and Dust protection by enclosure

Zone 1 & 2 – 21 & 22

Application

- H.I.D. lighting fixtures are used;
- in hazardous areas for zone 1 & 2 and zone 21, 22.
 - in heavy process industries having environments where flammable or explosive vapors or gases, or where combustible dusts are present.
 - in petroleum refineries, chemical, petrochemical and other heavy process industry facilities

Specification

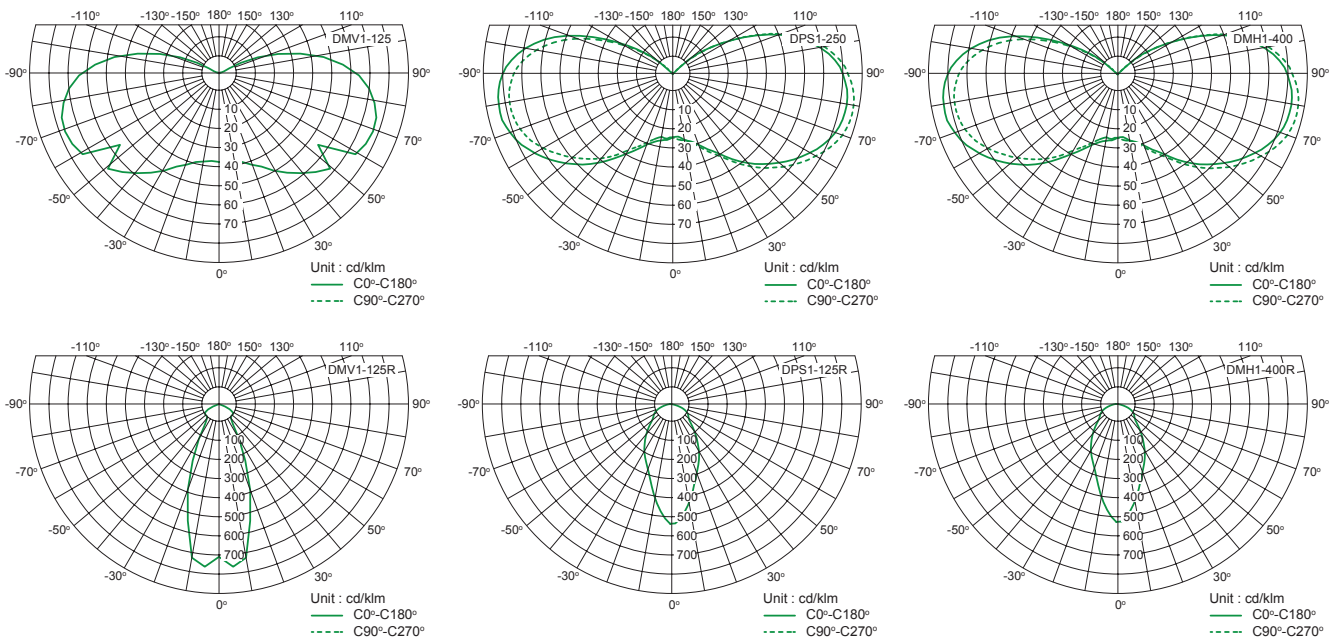
- Body material : Marine grade copper-free aluminium alloy with polyester powder coated, RAL 7032 (grey) (optional offshore painting-acrylic polyurethane coating)
- Glass globe : Borosilicate glass
- Sealing (O-ring) : Silicone
- Bracket : Hot-dip galvanized steel (optional; SUS 304 or SUS 316)
- Bolts : Stainless steel, SUS 304 (optional SUS 316)
- Reflector : Anodized aluminium
- Basket guard : Stainless steel, SUS 304 (optional SUS 316)

Technical Data

Hazardous Area	Gas	Dust
Zones	1 & 2	21 & 22
Equipment Group/Category	II 2G	II 2D
Symbol of Protection	Ex de IIB T3, T4 or T5	Ex tD A21 IP66 T200°C, T135°C or T100°C
Certificate No.	PTB 09 ATEX 1042X	
Conformity to standards	EN 60079-0:2006, EN 60079-1:2007, EN 60079-7:2007, EN 61241-0:2006, EN 61241-1:2004	
Ambient Temperature	-20°C to +40°C/ +55°C	
Index of Protection	IP66	
Entries	2- M20x1.5, 2- M25x1.5 (1-stopping plug) or 2- 1/2" NPT, 2- 3/4" NPT (1-stopping plug)	
Mounting	Ceiling or Bracket mounting (standard) (Optional mounting provided with 2- M10 eye bolts, clamps for, Ø2 inch pipe)	
Connection	L, N and PE ; for 1-4mm. ² cable (spring type terminal) (Through wiring system with an extra terminal block for cable connection at both ends.)	
Rated Voltage	220/ 230V.ac ±5% 50Hz.	



Luminous Intensity Distribution Curve



Complete photometrics, please contact us.

Lighting: H.I.D. (High Intensity Discharge) Lighting Fixture, DMV1, DPS1, DMH1 Series

Flameproof/ Increased Safety and Dust protection by enclosure

Zone 1 & 2 – 21 & 22



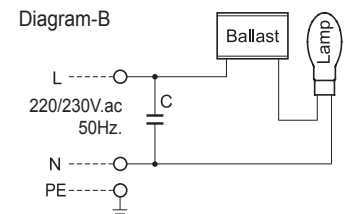
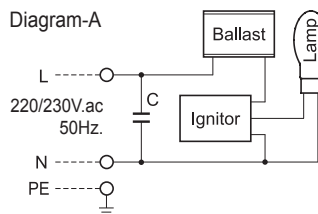
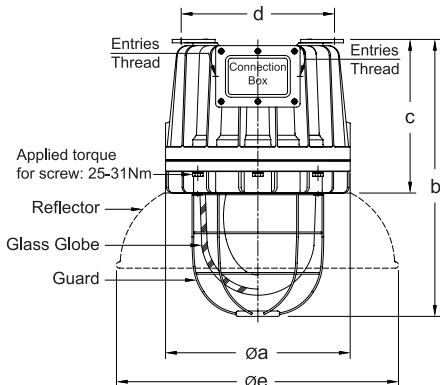
Catalogue Number Logic

D ■ ■ ■ 1	- ■ ■ ■ ■	■	- ○	□	- □ □
Series	Lamp Watt	Voltage	Accessories	Mounting	Entries
DMV1 Mercury Vapor	(see ordering requirement table below)	none 220V.ac 3 230V.ac	G Basket guard R Reflector	C Ceiling B Bracket	M1 M20x1.5 N1 1/2" NPT M2 M25x1.5 N2 3/4" NPT
DPS1 High Pressure Sodium					
DMH1 Metal Halide					

Ordering Requirements and Dimension

Cat. No.	Lamp Watt	Voltage	Lamp/ Ballast/ Ignitor	Temp. Class (for zone 1 & 2)		Max. Surface Temp.* (for zone 21 & 22)		Wiring Diagram	
				Ta 40°C	Ta 55°C	Ta 40°C	Ta 55°C		
Mercury Vapor Lamp									
DMV1-80	- ○ □ - □ □	80W.	220V.ac	HPL-N 80W / Q80.587 / -	T5	T4	T100°C	T135°C	Dia-B
			50Hz.	HPL-N 80W / OMB80-35 / -	T5	T5	T100°C	T100°C	Dia-B
DMV1-125	- ○ □ - □ □	125W.		HPL-N 125W / Q125.549 / -	T5	T4	T100°C	T135°C	Dia-B
DMV1-250	- ○ □ - □ □	250W.		HPL-N 250W / Q250.513 / -	T4	T4	T135°C	T135°C	Dia-B
DMV1-400	- ○ □ - □ □	400W.		HPL-N 400W / Q400.561 / -	T4	T3	T135°C	T200°C	Dia-B
DMV1-80 3	- ○ □ - □ □	80W.	230V.ac	HPL-N 80W / Q80.588 / -	T5	T5	T100°C	T100°C	Dia-B
DMV1-125 3	- ○ □ - □ □	125W.	50Hz.	HPL-N 125W / Q125.568 / -	T4	T4	T135°C	T135°C	Dia-B
DMV1-250 3	- ○ □ - □ □	250W.		HPL-N 250W / Q250.528 / -	T4	T4	T135°C	T135°C	Dia-B
High Pressure Sodium Lamp									
DPS1-70	- ○ □ - □ □	70W.	220V.ac	SON-70WI / NaHJ70.320 / -	T5	T5	T100°C	T100°C	Dia-B
DPS1-150	- ○ □ - □ □	150W.	50Hz.	SON-150W / NaHJ150.355 / Z400M	T5	T5	T100°C	T100°C	Dia-A
DPS1-250	- ○ □ - □ □	250W.		SON-250W / NaHJ250.160 / Z400M	T4	T4	T135°C	T135°C	Dia-A
DPS1-400	- ○ □ - □ □	400W.		SON-400W / NaHJ400.162 / Z400M	T4	T3	T135°C	T200°C	Dia-A
DPS1-70I 3	- ○ □ - □ □	70W.	230V.ac	SON-70WI / NaHJ70.158 / -	T5	T4	T100°C	T135°C	Dia-B
DPS1-70 3	- ○ □ - □ □	70W.	50Hz.	SON-70W / NaHJ70.158 / Z400M	T5	T4	T100°C	T135°C	Dia-A
DPS1-150 3	- ○ □ - □ □	150W.		SON-150W / NaHJ150.100.973 / Z400M	T5	T4	T100°C	T135°C	Dia-A
DPS1-400 3	- ○ □ - □ □	400W.		SON-400W / NaHJ400.006 / Z400M	T4	T3	T135°C	T200°C	Dia-A
Metal Halide Lamp									
DMH1-70	- ○ □ - □ □	70W.	220V.ac	MH 70W / NaHJ70.320 / Z400M	T5	T4	T100°C	T135°C	Dia-A
			50Hz.	MH 70W / OMS 70-T35 / Z400M	T5	T5	T100°C	T100°C	Dia-A
DMH1-100	- ○ □ - □ □	100W.		MH 100W / OMS 100 / Z400M	T5	T4	T100°C	T135°C	Dia-A
DMH1-150	- ○ □ - □ □	150W.		MH 150W / OMS 150 / Z400M	T6	T5	T85°C	T100°C	Dia-A
DMH1-250	- ○ □ - □ □	250W.		HPI PLUS-250W BU / Q250.513 / Z400M	T4	T4	T135°C	T135°C	Dia-A
DMH1-400	- ○ □ - □ □	400W.		HPI PLUS-400W BU / Q400.561 / Z400M	T4	T3	T135°C	T200°C	Dia-A
DMH1-70 3	- ○ □ - □ □	70W.	230V.ac	MH 70W / NaHJ70.128 / Z400M	T5	T4	T100°C	T135°C	Dia-A
DMH1-250 3	- ○ □ - □ □	250W.	50Hz.	HPI PLUS-250W BU / Q250.528 / Z400M	T4	T4	T135°C	T135°C	Dia-A

Remark *: The maximum surface temperatures are specified for dust free condition. The dust layer which may cover around the lighting fixture will cause to higher surface temperature.



Cat. No.	Dimension in mm.					Approx. Weight (kgs.)
	øa	b	c	d	øe	
Mercury Vapor Lamp						
DMV1-80, DMV1-80 3, DMV1-125, DMV1-125 3	274	356	196	208	450	14.0
DMV1-250, DMV1-250 3	330	494	274	274	504	25.0
DMV1-400	330	494	274	274	504	25.5

Cat. No.	Dimension in mm.					Approx. Weight (kgs.)
	øa	b	c	d	øe	
High Pressure Sodium Lamp						
DPS1-70I, DPS1-70, DPS1-70 3	274	356	196	208	450	14.0
DPS1-150, DPS1-150 3	330	539	319	274	504	25.5
DPS1-250	330	539	319	274	504	27.5
DPS1-400, DPS1-400 3	330	539	319	274	504	28.5
Metal Halide Lamp						
DMH1-70, DMH1-70 3, DMH1-100	274	356	196	208	450	14.0
DMH1-150	330	494	274	274	504	25.0
DMH1-250, DMH1-250 3	330	539	319	274	504	25.0
DMH1-400	330	539	319	274	504	25.5

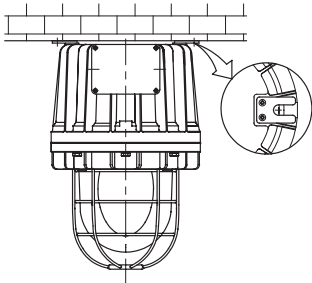
Lighting: H.I.D. (High Intensity Discharge) Lighting Fixture, DMV1, DPS1, DMH1 Series

Flameproof/ Increased Safety and Dust protection by enclosure

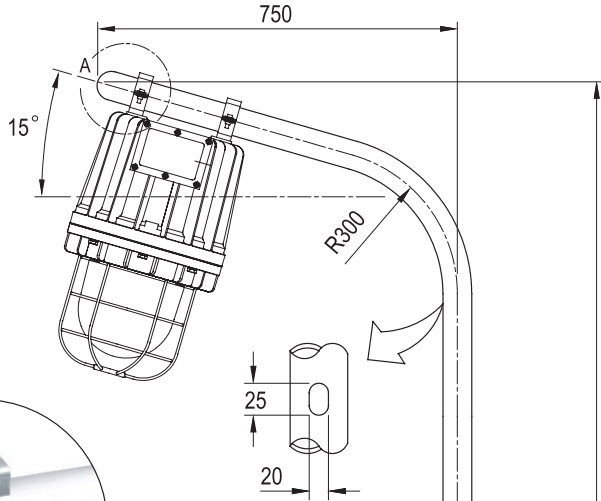
Zone 1 & 2 – 21 & 22

Installation Information

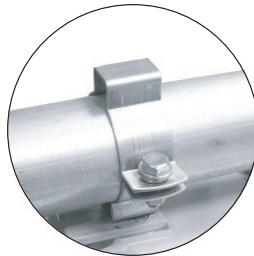
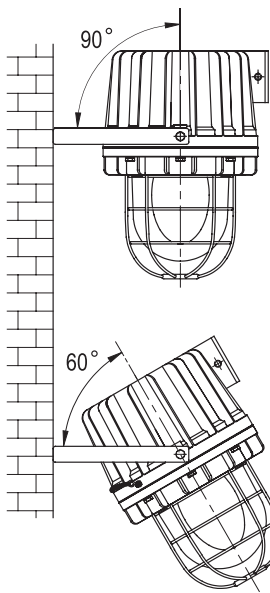
Ceiling mount



Pole mount

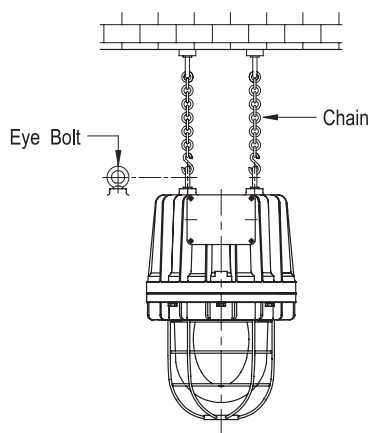


Bracket mount (or wall mount)



Detail - A

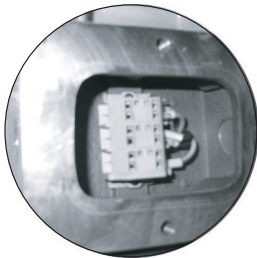
Suspension 2x M10 eye bolt



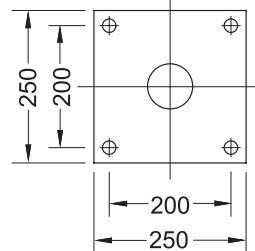
Pipe (2-inches)

Specify

Connection



Terminal block is provided for 2P+PE, 4mm² incoming cable within connection box.



A

B

C

D

E

F

G

H