

# Lighting: Incandescent and Compact Fluorescent Lighting Fixture, DLF Series

Flameproof/ Increased Safety and Dust protection by enclosure

Zone 1 & 2 – 21 & 22



## Specification

- Body material : Marine grade copper-free aluminium alloy with polyester powder coated, RAL 7032 (grey) (optional offshore painting-Acrylic polyurethane coating)
- Glass globe : Borosilicate glass
- Sealing (O-ring) : Silicone
- Bracket : Hot-dip galvanized steel (optional SUS 304 or SUS 316)
- Bolts : Stainless steel, SUS 304 (optional SUS 316)
- Reflector : Anodized aluminium
- Basket guard : Stainless steel, SUS 304 (optional SUS 316)

## Technical Data

<b>Hazardous Area</b>	<b>Gas</b>	<b>Dust</b>
<b>Zones</b>	1 & 2	21 & 22
<b>Equipment Group/Category</b>	Ex II 2G	Ex II 2D
<b>Symbol of Protection</b>	Ex de IIB T4, T5 or T6	Ex tD A21 IP66 T** °C
<b>Certificate No.</b>	PTB 08 ATEX 1096X	
<b>Conformity to standards</b>	EN 60079-0:2006, EN 60079-1:2007, EN 60079-7:2007, EN 61241-0:2006, EN 61241-0:2004	
<b>Ambient Temperature</b>	-20°C to +55°C	
<b>Index of Protection</b>	IP66	
<b>Entries</b>	2- M20x1.5, 2- M25x1.5 (1-stopping plug) or 2- 1/2" NPT, 2- 3/4" NPT (1-stopping plug)	
<b>Mounting</b>	Ceiling or Bracket mounting	
<b>Connection</b>	L, N and PE ; for 1-4mm. <sup>2</sup> cable (spring type terminal) (Through wiring system with an extra terminal block for cable connection at both ends.)	
<b>Rated Voltage</b>	220V.ac ±5% 50Hz.	

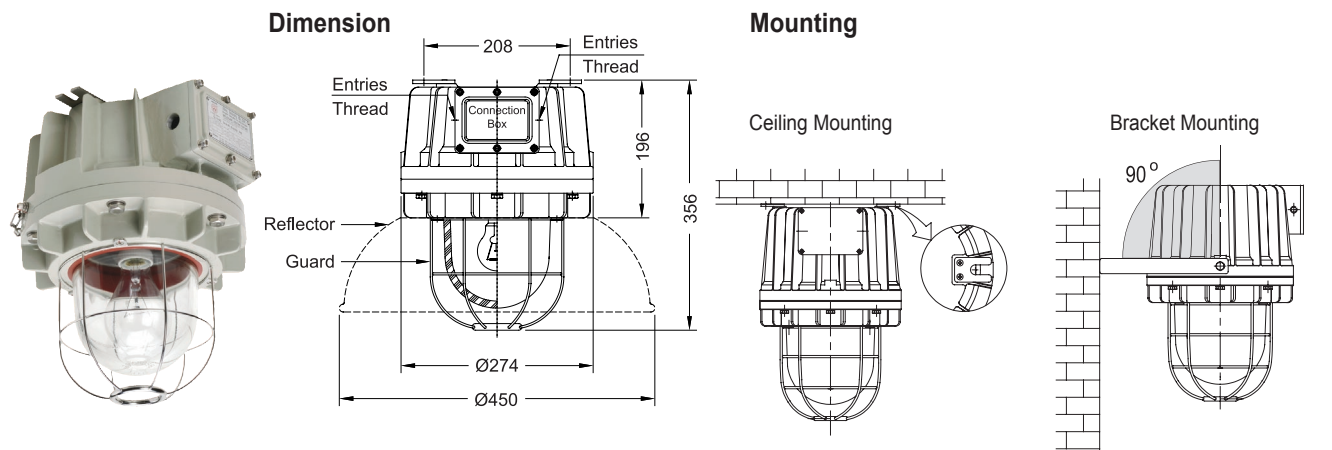
## Catalogue Number Logic

\*\* See temperature class on catalogue number table.

<b>DLF</b> -	■ ■ ■	■ ■ ■ ■	⬡	⬡	□	-	□ □
<b>Series</b>	<b>Type</b>		<b>Lamp Watt</b>	<b>Colour Designation</b>	<b>Accessories</b>	<b>Mounting</b>	<b>Entries</b>
	<b>IN</b> Incandescent		(see ordering requirement table below)	<b>W</b> Warm white	<b>R</b> Reflector	<b>C</b> Ceiling	<b>M1</b> M20x1.5
	<b>FC</b> Compact Fluorescent			<b>C</b> Cool daylight (Compact flu. only)	<b>G</b> Basket guard	<b>B</b> Bracket	<b>M2</b> M25x1.5
							<b>N1</b> 1/2" NPT
							<b>N2</b> 3/4" NPT

## Ordering Requirements

Cat. No.	Lamp Watt	Voltage	Lamp Model	Temp. Class (for zone 1 & 2)		Max. Surface Temp.* (for zone 21 & 22)		Approx. Weight (kgs.)
				Ta 40°C	Ta 55°C	Ta 40°C	Ta 55°C	
<b>Incandescent Lamp</b>								
DLF-IN60	60W.	220V. ac 50Hz.	"Philips" GLS Clear	T6	T5	T80°C	T90°C	13.0
DLF-IN100	100W.			T5	T4	T95°C	T110°C	
DLF-IN150	150W.		"Super Lamp"	T4	T4	T110°C	T125°C	13.0
DLF-IN200	200W.			T4	T4	T120°C	T135°C	
<b>Compact Fluorescent Lamp</b>								
DLF-FC10	10W.	220V. ac 50Hz.	"Philips" PL-C (with Ballast)	T6	T6	T65°C	T80°C	13.0
DLF-FC13	13W.							
DLF-FC18	18W.							



Remark \* : The maximum surface temperatures are specified for dust free condition. The dust layer which may cover around the lighting fixture will cause to higher surface temperature.