



# Lighting: Incan., Compact Flu. and LED Bulb Lighting Fixture and Photocell Switch (Photo Electric), DLF1-IN, DLF1-FC, DLF1-LED and DLF1-PH Series

Flameproof/ Increased Safety and Dust protection by enclosure

Zone 1 & 2 – 21 & 22

## Specification

- Body material : Marine grade copper-free aluminium alloy with polyester powder coated, RAL 7032 (grey) (optional offshore painting-acrylic polyurethane coating)
- Glass globe : Borosilicate glass
- Sealing (O-ring) : Silicone
- Bracket : Hot-dip galvanized steel (optional SUS 304 or SUS 316)
- Bolts : Stainless steel, SUS 304 (optional SUS 316)
- Reflector : Anodized aluminium
- Basket guard : Stainless steel, SUS 304 (optional SUS 316)



## Technical Data

<b>Hazardous Area</b>	<b>Gas</b>	<b>Dust</b>
<b>Zones</b>	<b>1 &amp; 2</b>	<b>21 &amp; 22</b>
<b>Equipment Group/Category</b>	<b>Ex II 2G</b>	<b>Ex II 2D</b>
<b>Symbol of Protection</b>	<b>Ex db eb IIC T** Gb</b>	<b>Ex tb IIIC T**°C Db</b>
<b>Certificate No.</b>	<b>TÜV CY 18 ATEX 0206011X</b>	
<b>Conformity to standards</b>	EN IEC 60079-0:2018, EN 60079-1:2014, EN IEC 60079-7:2015/ A1:2018, EN 60079-31:2014	
<b>Ambient Temperature</b>	-20°C to +55°C	
<b>Index of Protection</b>	IP66	
<b>Entries</b>	2- M20x1.5, 2- M25x1.5 (1-stopping plug) or 2- 1/2" NPT, 2- 3/4" NPT (1-stopping plug)	
<b>Mounting</b>	Ceiling or Bracket mounting (standard) (Optional mounting ; 2- M10 eye bolts, clamps for pipe)	
<b>Connection</b>	L, N and PE ; for 1-4mm. <sup>2</sup> cable (Through wiring system with an extra terminal block for cable connection at both ends.)	
<b>Rated Voltage</b>	220/ 230/ 240V.ac ±5% 50/60Hz.	

\*\* See temperature class on catalogue number table.

## Catalogue Number Logic

### Incandescent and Compact Fluorescent

**DLF1 -** ■ ■ - ■ ■ ■ ■ 22

Series	Type	Lamp Watt	Voltage	Accessories	Mounting	Entries
IN	Incandescent	60 60W.	22 220V.ac 50Hz.	R Reflector	C Ceiling	M1 M20x1.5
FC	Compact Fluorescent	100 100W.		G Basket guard	B Bracket	M2 M25x1.5
		150 150W.				N1 1/2" NPT
		200 200W.				N2 3/4" NPT
		10 10W.				
		13 13W.				
		18 18W.				

### LED Bulb

**DLF1 -** LED ■ ■ ■ ■

Series	Type	Lamp Watt	Voltage	Accessories	Mounting	Entries
LED	LED Bulb	06 6W.	1D 12V.dc	R Reflector	C Ceiling	M1 M20x1.5
		07 7W.	2D 24V.dc	G Basket guard	B Bracket	M2 M25x1.5
		09 9W.	3D 120V.dc			N1 1/2" NPT
		10 10W.	11 110V.ac			N2 3/4" NPT
			24 220-240V.ac			

### Photocell Switch (Photo Electric)

**DLF1 -** PH ■ ■ 24

Series	Type	Ampere	Voltage	Mounting	Entries
PH	Photocell	06 6A.	24 220-240V.ac	C Ceiling	M1 M20x1.5
		10 10A.	50/60Hz.	B Bracket	M2 M25x1.5
		15 15A.			N1 1/2" NPT
					N2 3/4" NPT

Diagram-C

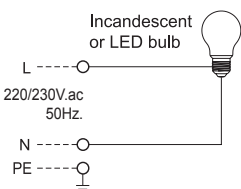


Diagram-D

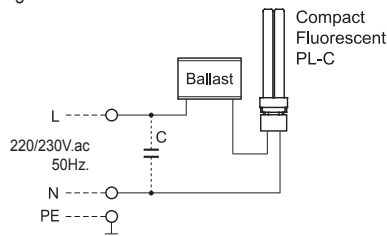
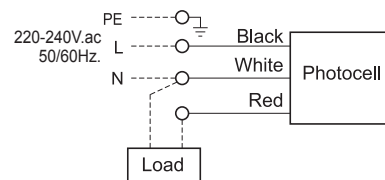


Diagram-E



Standard lighting; 31.5-125 lux

# Lighting: Incan., Compact Flu. and LED Bulb Lighting Fixture and Photocell Switch (Photo Electric), DLF1-IN, DLF1-FC, DLF1-LED and DLF1-PH Series

Flameproof/ Increased Safety and Dust protection by enclosure

Zone 1 & 2 – 21 & 22



## Ordering Requirements

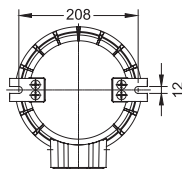
Cat. No.	Lamp Watt	Voltage	Control Gear (Lamp/ Ballast/ Ignitor)	Temp. Class (for zone 1 & 2)		Max. Surface Temp.* (for zone 21 & 22)		Wiring Diagram	Approx. Weight (kgs.)
				Ta 40°C	Ta 55°C	Ta 40°C	Ta 55°C		
<b>Incandescent Lamp</b>									
DLF1-IN-06022	60W.	220V.ac 50Hz.	"Philips" GLS Clear	T6	T6	T75°C	T75°C	Dia-C	8.5
DLF1-IN-10022	100W.			T4	T4	T120°C	T120°C		
DLF1-IN-15022	150W.		"Super Lamp"	T4	T4	T125°C	T125°C		
DLF1-IN-20022	200W.			T3	T3	T175°C	T175°C		
<b>Compact Fluorescent Lamp</b>									
DLF1-FC-1022	10W.	220V.ac 50Hz.	"Philips" PL-C (with Ballast)	T6	T6	T65°C	T65°C	Dia-D	8.7
DLF1-FC-1322	13W.								
DLF1-FC-1822	18W.								
<b>LED Bulb</b>									
DLF1-LED-061D	6W.	12V.dc	-	T6	T6	T65°C	T65°C	Dia-C	8.5
DLF1-LED-071D	7W.								
DLF1-LED-091D	9W.								
DLF1-LED-101D	10W.	24V.dc	-	T6	T6	T65°C	T65°C	Dia-C	8.5
DLF1-LED-062D	6W.								
DLF1-LED-072D	7W.								
DLF1-LED-092D	9W.								
DLF1-LED-102D	10W.	120V.dc	-	T6	T6	T65°C	T65°C	Dia-C	8.5
DLF1-LED-063D	6W.								
DLF1-LED-073D	7W.								
DLF1-LED-093D	9W.	110V.ac	-	T6	T6	T65°C	T65°C	Dia-C	8.5
DLF1-LED-103D	10W.								
DLF1-LED-0611	6W.								
DLF1-LED-0711	7W.								
DLF1-LED-0911	9W.	220-240V.ac	-	T6	T6	T65°C	T65°C	Dia-C	8.5
DLF1-LED-1011	10W.								
DLF1-LED-0624	6W.								
DLF1-LED-0724	7W.								
DLF1-LED-0924	9W.	10W.	-	T6	T6	T65°C	T65°C	Dia-C	8.5
DLF1-LED-1024	10W.								

## Photocell Switch (Photo Electric)

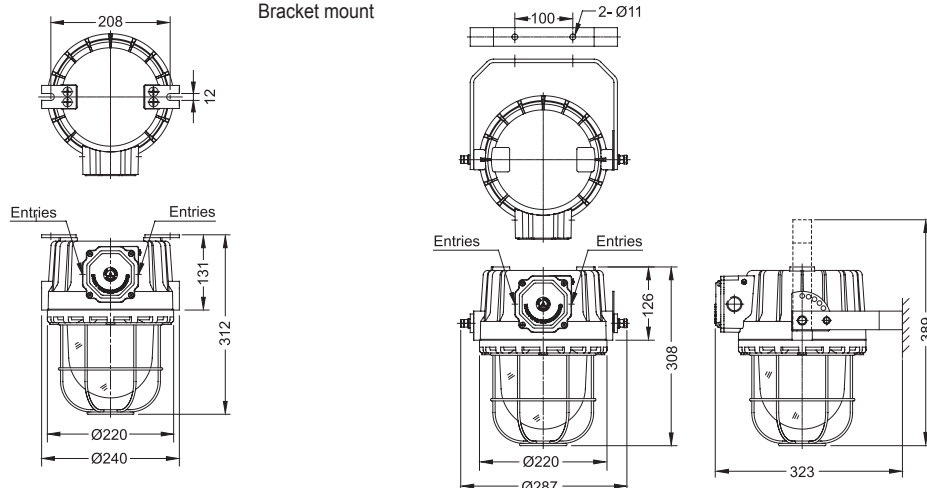
Cat. No.	Amp.	Voltage	Temp. Class (for zone 1 & 2)		Max. Surface Temp.* (for zone 21 & 22)		Wiring Diagram	Approx. Weight (kgs.)
			Ta 40°C	Ta 55°C	Ta 40°C	Ta 55°C		
DLF1-PH-0624	6A.	220-240V.ac 50/60Hz.	T6	T6	T80°C	T80°C	Dia-E	8.5
DLF1-PH-1024	10A.							
DLF1-PH-1524	15A.							

## Dimension

Ceiling mount



Bracket mount



Remark \*: The maximum surface temperatures are specified for dust free condition. The dust layer which may cover around the lighting fixture will cause to higher surface temperature.