

# Lighting: LED Tank Light, DHTK Series

Flameproof/ Increased Safety and Dust protection by enclosure

Zone 1 & 2 – 21 & 22



## Application

The DHTK tank light design used where flammable vapors and gases are present, along with harsh conditions including vibration, dust, moisture, corrosive atmospheres.

## Specification

- Body material : Marine grade copper-free aluminium alloy with polyester powder coated, RAL 7032 (grey) (optional offshore painting-acrylic polyurethane coating)
- Lens : Heat and high impact resistant clear glass (4J impact)
- Bolts : Stainless steel, SUS 304 (optional SUS 316)
- Mounting : Hot-dip galvanized steel (optional SUS 304 or SUS 316)

## LED System

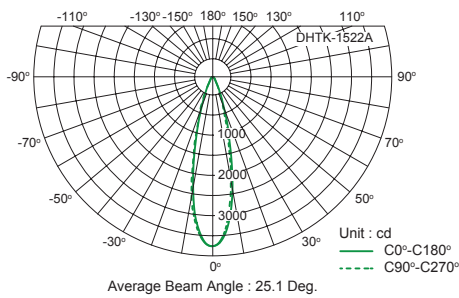
- Luminous efficient : 100 lm/W
- Colour temperature : Standard 5700 K (daylight)
- Color Rendering Index (Ra) :  $\geq 70$  (optional Ra  $\geq 80$ )
- Chip : Cree 3535
- Beam angle : Average 25°
- Lifespan :  $>50,000$  Hrs. (70% lumen maintenance)



Ceiling Mounting

Bracket Mounting

## Luminous Intensity Distribution Curve



## Technical Data

<b>Hazardous Area</b>	<b>Gas</b>	<b>Dust</b>
<b>Zones</b>	<b>1 &amp; 2</b>	<b>21 &amp; 22</b>
<b>Equipment Group/Category</b>	<b>II 2G</b>	<b>II 2D</b>
<b>Symbol of Protection</b>	<b>Ex db eb IIC T6 Gb</b>	<b>Ex tb IIIC T80°C Db</b>
<b>Conformity to standards</b>	EN IEC 60079-0:2018, EN 60079-1:2014, EN IEC 60079-7:2015/A1:2018, EN 60079-31:2014	
<b>Ambient Temperature</b>	-40°C to +60°C	
<b>Index of Protection</b>	IP67	
<b>Entries</b>	1-hole standard (M20x1.5, M25x1.5, 1/2" NPT or 3/4" NPT), 2-holes are optional	
<b>Mounting</b>	Ceiling or Bracket mounting	
<b>Connection</b>	L, N and PE ; for 1-4mm. <sup>2</sup> cable (Through wiring system with an extra terminal block for cable connection at both ends.)	
<b>Rated Voltage</b>	12/24V.ac/dc or 110-240V.ac 50/60Hz., THDi < 20%, P.F. $\geq 0.95$	

## Catalogue Number Logic

DHTK - ■■ ■■ - ○ - □□ - ○

Series	LED Power (see ordering requirement table below)	Voltage	Mounting	Entries	Option
22A	10W	110-240V.ac 50/60Hz.	C Ceiling B Bracket	M1 M20x1.5 M2 M25x1.5 N1 1/2" NPT N2 3/4" NPT	57 5700K 30 3000K 65 6500K
12D	10W	12V.ac/dc			
24D	10W	24V.ac/dc			

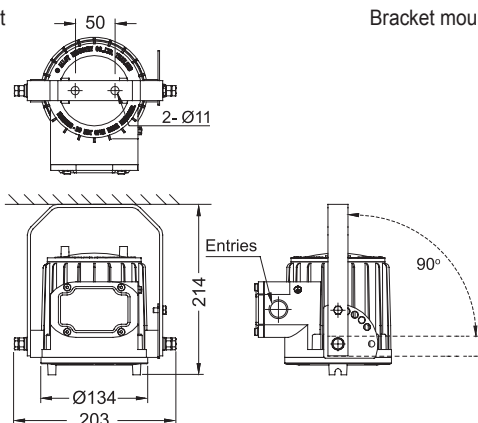
## Ordering Requirements

Cat. No.	LED Power	Voltage	Temp. Class (for zone 1 & 2)		Max. Surface Temp.* (for zone 21 & 22)		Approx. Weight (kgs.)
			Ta 40°C	Ta 55°C	Ta 40°C	Ta 55°C	
DHTK-1022A-○-□□-○	10W.	110-240V.ac	T6	T6	T80°C	T80°C	3.13
DHTK-1522A-○-□□-○	15W.	50/60Hz.	T6	T6	T80°C	T80°C	3.13
DHTK-1012D-○-□□-○	10W.	12V.ac/dc	T6	T6	T80°C	T80°C	3.13
DHTK-1024D-○-□□-○	10W.	24V.ac/dc	T6	T6	T80°C	T80°C	3.13

Remark \* : The maximum surface temperatures are specified for dust free condition. The dust layer which may cover around the lighting fixture will cause to higher surface temperature.

## Dimension

Ceiling mount



Bracket mount

