

Lighting: Fluorescent & Tube Lighting Fixture, DFPE Series

Flameproof/ Increased Safety and Dust protection by enclosure

Zone 1 & 2 – 21 & 22

Application

The DFPE series can be used all over the world and are suited for lighting applications in hazardous areas, e.g. onshore, offshore platforms or refineries. The different light families allow their optimum use in various environments.

The DFPE series consist of a glass tube with two end caps. They are for installation of both single and double T5 and T8 bi-pin fluorescent or LED tube. The end cap and threaded housing for ballast and terminals connection.

Specification

- Body material : Marine grade copper-free aluminium alloy with polyester powder coated, RAL 7032 (grey) (optional offshore painting-acrylic polyurethane coating)
- Glass tube : Borosilicate glass (4J impact)
- Reflector : Sheet steel with polyester powder coated, RAL 9016 (white)
- Protective guard : Stainless steel, SUS 304 (optional SUS 316)
- Bolts : Stainless steel, SUS 304 (optional SUS 316)
- Sealing (O-ring) : Silicone

Product Features

- LED tube : meet TIS 2779-2562
- Color Rendering Index (CRI) : >80
- Colour temperature : 3,000K or 6,500K
- Luminous efficient : >120 lm/W
- Power factor : >0.95
- THDi : <15%
- Beam angle : average 115°
- Lifetime : >54000 Hrs. (L70)

Electrical for Emergency unit

- Operation : Maintained mode
- Battery : Ni-MH, 7.2V. 2.5Ah.
- Recharge time : 16-24 hours, continuous battery recharge
- Emergency starting time : ≤ 0.5Sec.
- Emergency duration : 120Min. (2-Hours) (optional Ni-MH, 7.2V. 2x 2.5Ah. battery for 3-hours)

Technical Data

Hazardous Area	Gas	Dust
Zones	1 & 2	21 & 22
Equipment Group/Category	Ex II 2G	Ex II 2D
Symbol of Protection	Ex db eb IIC T6 Gb	Ex tb IIIC T85°C Db
Certificate No.	KDB 24 ATEX 023X IECEx KDB 24.0006X	
Conformity to Standards	EN IEC 60079-0:2018, EN 60079-1:2014, EN IEC 60079-7:2015/ A1:2018, EN 60079-31:2014 IEC 60079-0:2017, IEC 60079-1:2014, IEC 60079-7:2015, IEC 60079-31:2013	
Ambient Temperature	-20°C to +60°C 0°C to +55°C (with emergency battery)	
Index of Protection	IP66	
Entries	2- M20x1.5, 2- M25x1.5 (1-stopping plug) or 2- 1/2" NPT, 2- 3/4" NPT (1-stopping plug)	
Mounting	Ceiling, Pendant, Bracket, Stanchion or Pole mount	
Connection	L, N and PE ; for 1-4mm. ² cable (Through wiring system with an extra terminal block for cable connection at both ends.)	
Rated Voltage	110-240V.ac 50/60Hz. (P.F. ≥ 0.98)	



Lighting: Fluorescent & LED Lighting Fixture, DFPE Series

Flameproof/ Increased Safety and Dust protection by enclosure

Zone 1 & 2 – 21 & 22



Catalogue Number Logic (Normal Light)

DFPE - ■■■■ ■■■■ ■■■■ - D ○ - □ - □ - ○								
Series	Lamp Watt (see ordering requirement table below)	Type	Rated Voltage	LED Driver	Accessories	Entries	Mounting	Option
		L4 Fluorescent lamp LT LED tube LP LED PCB	A1 220-240V.ac A2 110-240V.ac D1 24-42V.dc	D with driver	G Protective guard R External reflector	M1 M20x1.5 M2 M25x1.5 N1 1/2" NPT N2 3/4" NPT	C Ceiling (standard) C1 Ceiling (for pipe), Fixed C2 Ceiling (for pipe), Swing P1 Pendant (for chain) P2 Pendant (for pipe) B Bracket	SP Surge Protection 10kA, 8/20μF

Ordering Requirements and Dimension

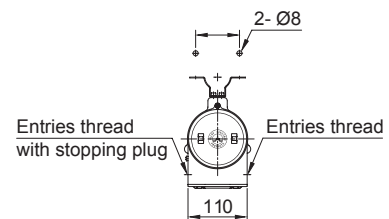
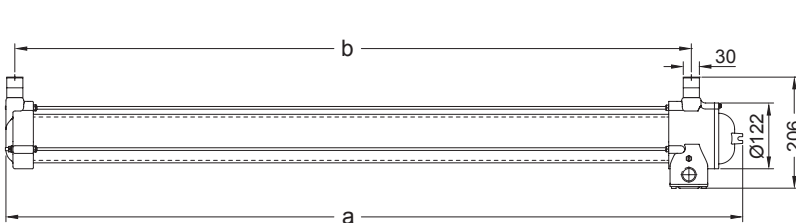
Cat. No.	Lamp Watt	Voltage	Ballast	Temp. Class (for zone 1 & 2)		Max. Surface Temp.* (for zone 21 & 22)		Volume (cm ³)	Dimension in mm.	
				Ta 40 °C	Ta 60 °C	Ta 40 °C	Ta 60 °C		a	b
T8 Fluorescent Lamp										
DFPE-118L4A1 - ○ - □□ - ○	1x 18W.	220-240V.ac 50/60Hz.	Electronic	T6	T6	T85°C	T85°C	3,950	755	645
DFPE-218L4A1 - ○ - □□ - ○	2x 18W.								1370	1258
DFPE-136L4A1 - ○ - □□ - ○	1x 36W.									
DFPE-236L4A1 - ○ - □□ - ○	2x 36W.									
T5 Fluorescent Lamp										
DFPE-114L4A1 - ○ - □□ - ○	1x 14W.	220-240V.ac 50/60Hz.	Electronic	T6	T6	T85°C	T85°C	3,950	755	645
DFPE-214L4A1 - ○ - □□ - ○	2x 14W.								1370	1258
DFPE-128L4A1 - ○ - □□ - ○	1x 28W.									
DFPE-228L4A1 - ○ - □□ - ○	2x 28W.									
LED Tube (without driver)										
DFPE-105LTA2 - ○ - □□ - ○	1x 5W.	110-240V.ac 50/60Hz.	-	T6	T6	T85°C	T85°C	3,950	755	645
DFPE-205LTA2 - ○ - □□ - ○	2x 5W.									
DFPE-106LTA2 - ○ - □□ - ○	1x 6W.									
DFPE-206LTA2 - ○ - □□ - ○	2x 6W.									
DFPE-107LTA2 - ○ - □□ - ○	1x 7W.									
DFPE-207LTA2 - ○ - □□ - ○	2x 7W.									
DFPE-108LTA2 - ○ - □□ - ○	1x 8W.									
DFPE-208LTA2 - ○ - □□ - ○	2x 8W.									
DFPE-109LTA2 - ○ - □□ - ○	1x 9W.									
DFPE-209LTA2 - ○ - □□ - ○	2x 9W.									
DFPE-114LTA2 - ○ - □□ - ○	1x 14W.	110-240V.ac 50/60Hz.	-	T6	T6	T85°C	T85°C	7,020	1370	1258
DFPE-214LTA2 - ○ - □□ - ○	2x 14W.									
DFPE-115LTA2 - ○ - □□ - ○	1x 15W.									
DFPE-215LTA2 - ○ - □□ - ○	2x 15W.									
DFPE-116LTA2 - ○ - □□ - ○	1x 16W.									
DFPE-216LTA2 - ○ - □□ - ○	2x 16W.									
DFPE-117LTA2 - ○ - □□ - ○	1x 17W.									
DFPE-217LTA2 - ○ - □□ - ○	2x 17W.									
DFPE-118LTA2 - ○ - □□ - ○	1x 18W.									
DFPE-218LTA2 - ○ - □□ - ○	2x 18W.									
DFPE-119LTA2 - ○ - □□ - ○	1x 19W.									
DFPE-219LTA2 - ○ - □□ - ○	2x 19W.									
DFPE-120LTA2 - ○ - □□ - ○	1x 20W.									
DFPE-220LTA2 - ○ - □□ - ○	2x 20W.									
DFPE-121LTA2 - ○ - □□ - ○	1x 21W.									
DFPE-221LTA2 - ○ - □□ - ○	2x 21W.									
DFPE-122LTA2 - ○ - □□ - ○	1x 22W.									
DFPE-222LTA2 - ○ - □□ - ○	2x 22W.									
DFPE-123LTA2 - ○ - □□ - ○	1x 23W.									
DFPE-223LTA2 - ○ - □□ - ○	2x 23W.									
DFPE-124LTA2 - ○ - □□ - ○	1x 24W.									
DFPE-224LTA2 - ○ - □□ - ○	2x 24W.									
DFPE-125LTA2 - ○ - □□ - ○	1x 25W.									
DFPE-225LTA2 - ○ - □□ - ○	2x 25W.									

Remark *: The maximum surface temperatures are specified for dust free condition. The dust layer which may cover around the lighting fixture will cause to higher surface temperature.



Ordering Requirements and Dimension

Cat. No.	Lamp Watt	Voltage	Ballast	Temp. Class (for zone 1 & 2)		Max. Surface Temp.* (for zone 21 & 22)		Volume (cm ³)	Dimension in mm.											
				Ta 40 °C	Ta 60 °C	Ta 40 °C	Ta 60 °C		a	b										
LED Tube (with driver)																				
DFPE-105LTA2 -D ○ - □ □ - ○	1x 5W.	110-240V.ac 50/60Hz.	LED Driver	T6	T6	T85°C	T85°C	3,950	755	645										
DFPE-205LTA2 -D ○ - □ □ - ○	2x 5W.																			
DFPE-106LTA2 -D ○ - □ □ - ○	1x 6W.																			
DFPE-206LTA2 -D ○ - □ □ - ○	2x 6W.																			
DFPE-107LTA2 -D ○ - □ □ - ○	1x 7W.																			
DFPE-207LTA2 -D ○ - □ □ - ○	2x 7W.																			
DFPE-108LTA2 -D ○ - □ □ - ○	1x 8W.																			
DFPE-208LTA2 -D ○ - □ □ - ○	2x 8W.																			
DFPE-109LTA2 -D ○ - □ □ - ○	1x 9W.																			
DFPE-209LTA2 -D ○ - □ □ - ○	2x 9W.																			
DFPE-114LTA2 -D ○ - □ □ - ○	1x 14W.	110-240V.ac 50/60Hz.	LED Driver	T6	T6	T85°C	T85°C	7,020	1370	1258										
DFPE-214LTA2 -D ○ - □ □ - ○	2x 14W.																			
DFPE-115LTA2 -D ○ - □ □ - ○	1x 15W.																			
DFPE-215LTA2 -D ○ - □ □ - ○	2x 15W.																			
DFPE-116LTA2 -D ○ - □ □ - ○	1x 16W.																			
DFPE-216LTA2 -D ○ - □ □ - ○	2x 16W.																			
DFPE-117LTA2 -D ○ - □ □ - ○	1x 17W.																			
DFPE-217LTA2 -D ○ - □ □ - ○	2x 17W.																			
DFPE-118LTA2 -D ○ - □ □ - ○	1x 18W.																			
DFPE-218LTA2 -D ○ - □ □ - ○	2x 18W.																			
DFPE-119LTA2 -D ○ - □ □ - ○	1x 19W.																			
DFPE-219LTA2 -D ○ - □ □ - ○	2x 19W.																			
DFPE-120LTA2 -D ○ - □ □ - ○	1x 20W.																			
DFPE-220LTA2 -D ○ - □ □ - ○	2x 20W.																			
DFPE-121LTA2 -D ○ - □ □ - ○	1x 21W.																			
DFPE-221LTA2 -D ○ - □ □ - ○	2x 21W.																			
DFPE-122LTA2 -D ○ - □ □ - ○	1x 22W.																			
DFPE-222LTA2 -D ○ - □ □ - ○	2x 22W.																			
DFPE-123LTA2 -D ○ - □ □ - ○	1x 23W.																			
DFPE-223LTA2 -D ○ - □ □ - ○	2x 23W.																			
DFPE-124LTA2 -D ○ - □ □ - ○	1x 24W.																			
DFPE-224LTA2 -D ○ - □ □ - ○	2x 24W.																			
DFPE-125LTA2 -D ○ - □ □ - ○	1x 25W.																			
DFPE-225LTA2 -D ○ - □ □ - ○	2x 25W.																			
LED PCB																				
DFPE-25LPA2 -D ○ - □ □ - ○	25W.	110-240V.ac 50/60Hz.	LED Driver	T6	T6	T85°C	T85°C	3,950	755	645										
DFPE-30LPA2 -D ○ - □ □ - ○	30W.																			
DFPE-40LPA2 -D ○ - □ □ - ○	40W.																			
DFPE-50LPA2 -D ○ - □ □ - ○	50W.																			
DFPE-60LPA2 -D ○ - □ □ - ○	60W.																			
DFPE-60LP1A2 -D ○ - □ □ - ○	60W.																			
DFPE-75LPA2 -D ○ - □ □ - ○	75W.																			
DFPE-90LPA2 -D ○ - □ □ - ○	90W.																			
											7,020	1370	1258							



Remark * : The maximum surface temperatures are specified for dust free condition. The dust layer which may cover around the lighting fixture will cause to higher surface temperature.

Lighting: Fluorescent & LED Lighting Fixture, DFPE Series

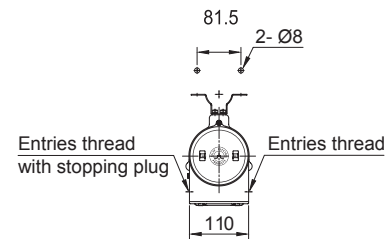
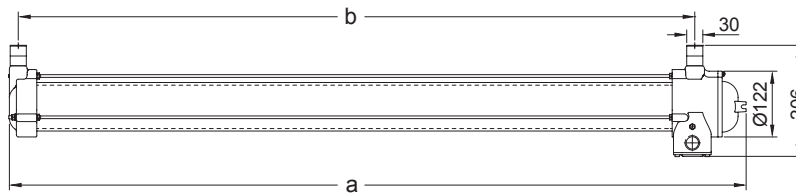
Flameproof/ Increased Safety and Dust protection by enclosure

Zone 1 & 2 – 21 & 22



Ordering Requirements and Dimension

Cat. No.	Lamp Watt	Voltage	Ballast	Temp. Class (for zone 1 & 2)		Max. Surface Temp.* (for zone 21 & 22)		Volume (cm ³)	Dimension in mm.	
				Ta 40 °C	Ta 60 °C	Ta 40 °C	Ta 60 °C		a	b
LED Tube (without driver)										
DFPE-105LTD1 - ○ - □ □ - ○	1x 5W.	24-42V.dc	-	T6	T6	T85°C	T85°C	3,950	755	645
DFPE-205LTD1 - ○ - □ □ - ○	2x 5W.									
DFPE-106LTD1 - ○ - □ □ - ○	1x 6W.									
DFPE-206LTD1 - ○ - □ □ - ○	2x 6W.									
DFPE-107LTD1 - ○ - □ □ - ○	1x 7W.									
DFPE-207LTD1 - ○ - □ □ - ○	2x 7W.									
DFPE-108LTD1 - ○ - □ □ - ○	1x 8W.									
DFPE-208LTD1 - ○ - □ □ - ○	2x 8W.									
DFPE-109LTD1 - ○ - □ □ - ○	1x 9W.									
DFPE-209LTD1 - ○ - □ □ - ○	2x 9W.									
DFPE-114LTD1 - ○ - □ □ - ○	1x 14W.	24-42V.dc	-	T6	T6	T85°C	T85°C	7,020	1370	1258
DFPE-214LTD1 - ○ - □ □ - ○	2x 14W.									
DFPE-115LTD1 - ○ - □ □ - ○	1x 15W.									
DFPE-215LTD1 - ○ - □ □ - ○	2x 15W.									
DFPE-116LTD1 - ○ - □ □ - ○	1x 16W.									
DFPE-216LTD1 - ○ - □ □ - ○	2x 16W.									
DFPE-117LTD1 - ○ - □ □ - ○	1x 17W.									
DFPE-217LTD1 - ○ - □ □ - ○	2x 17W.									
DFPE-118LTD1 - ○ - □ □ - ○	1x 18W.									
DFPE-218LTD1 - ○ - □ □ - ○	2x 18W.									
DFPE-119LTD1 - ○ - □ □ - ○	1x 19W.									
DFPE-219LTD1 - ○ - □ □ - ○	2x 19W.									
DFPE-120LTD1 - ○ - □ □ - ○	1x 20W.									
DFPE-220LTD1 - ○ - □ □ - ○	2x 20W.									
DFPE-121LTD1 - ○ - □ □ - ○	1x 21W.									
DFPE-221LTD1 - ○ - □ □ - ○	2x 21W.									
DFPE-122LTD1 - ○ - □ □ - ○	1x 22W.									
DFPE-222LTD1 - ○ - □ □ - ○	2x 22W.									
DFPE-123LTD1 - ○ - □ □ - ○	1x 23W.									
DFPE-223LTD1 - ○ - □ □ - ○	2x 23W.									
DFPE-124LTD1 - ○ - □ □ - ○	1x 24W.									
DFPE-224LTD1 - ○ - □ □ - ○	2x 24W.									
DFPE-125LTD1 - ○ - □ □ - ○	1x 25W.									
DFPE-225LTD1 - ○ - □ □ - ○	2x 25W.									
LED PCB										
DFPE-25LPD1 - D ○ - □ □ - ○	25W.	24-42V.dc	LED Driver	T6	T6	T85°C	T85°C	3,950	755	645
DFPE-30LPD1 - D ○ - □ □ - ○	30W.									
DFPE-40LPD1 - D ○ - □ □ - ○	40W.									
DFPE-50LPD1 - D ○ - □ □ - ○	50W.									
DFPE-60LPD1 - D ○ - □ □ - ○	60W.							7,020	1370	1258
DFPE-60LP1D1 - D ○ - □ □ - ○	60W.									
DFPE-75LPD1 - D ○ - □ □ - ○	75W.									
DFPE-90LPD1 - D ○ - □ □ - ○	90W.									



Remark *: The maximum surface temperatures are specified for dust free condition. The dust layer which may cover around the lighting fixture will cause to higher surface temperature.



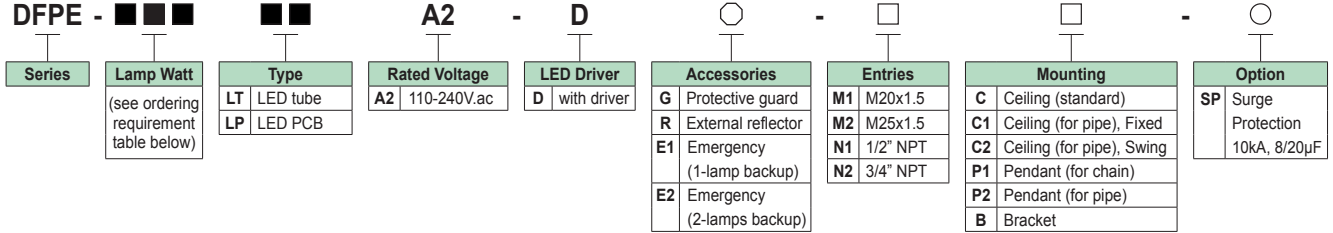


Lighting: Fluorescent & Tube Lighting Fixture, DFPE Series

Flameproof/ Increased Safety and Dust protection by enclosure

Zone 1 & 2 – 21 & 22

Catalogue Number Logic (Emergency Light)



Ordering Requirements and Dimension

Cat. No.	Lamp Watt	Voltage	Ballast	Temp. Class (for zone 1 & 2)		Max. Surface Temp.* (for zone 21 & 22)		Volume (cm ³)	Dimension in mm.	
				Ta 40 °C	Ta 55 °C	Ta 40 °C	Ta 55 °C		a	b
LED Tube										
DFPE-105LTA2-D ○ E1-□□-○	1x 5W.	110-240V.ac 50/60Hz.	LED Driver	T6	T6	T85°C	T85°C	3,950	755	645
DFPE-205LTA2-D ○ E1-□□-○	2x 5W.									
DFPE-106LTA2-D ○ E1-□□-○	1x 6W.									
DFPE-206LTA2-D ○ E1-□□-○	2x 6W.									
DFPE-107LTA2-D ○ E1-□□-○	1x 7W.									
DFPE-207LTA2-D ○ E1-□□-○	2x 7W.									
DFPE-108LTA2-D ○ E1-□□-○	1x 8W.									
DFPE-208LTA2-D ○ E1-□□-○	2x 8W.									
DFPE-109LTA2-D ○ E1-□□-○	1x 9W.									
DFPE-209LTA2-D ○ E1-□□-○	2x 9W.									
DFPE-114LTA2-D ○ E1-□□-○	1x 14W.	110-240V.ac 50/60Hz.	LED Driver	T6	T6	T85°C	T85°C	7,020	1370	1258
DFPE-214LTA2-D ○ E1-□□-○	2x 14W.									
DFPE-115LTA2-D ○ E1-□□-○	1x 15W.									
DFPE-215LTA2-D ○ E1-□□-○	2x 15W.									
DFPE-116LTA2-D ○ E1-□□-○	1x 16W.									
DFPE-216LTA2-D ○ E1-□□-○	2x 16W.									
DFPE-117LTA2-D ○ E1-□□-○	1x 17W.									
DFPE-217LTA2-D ○ E1-□□-○	2x 17W.									
DFPE-118LTA2-D ○ E1-□□-○	1x 18W.									
DFPE-218LTA2-D ○ E1-□□-○	2x 18W.									
DFPE-119LTA2-D ○ E1-□□-○	1x 19W.									
DFPE-219LTA2-D ○ E1-□□-○	2x 19W.									
DFPE-120LTA2-D ○ E1-□□-○	1x 20W.									
DFPE-220LTA2-D ○ E1-□□-○	2x 20W.									
DFPE-121LTA2-D ○ E1-□□-○	1x 21W.									
DFPE-221LTA2-D ○ E1-□□-○	2x 21W.									
DFPE-122LTA2-D ○ E1-□□-○	1x 22W.									
DFPE-222LTA2-D ○ E1-□□-○	2x 22W.									
DFPE-123LTA2-D ○ E1-□□-○	1x 23W.									
DFPE-223LTA2-D ○ E1-□□-○	2x 23W.									
DFPE-124LTA2-D ○ E1-□□-○	1x 24W.									
DFPE-224LTA2-D ○ E1-□□-○	2x 24W.									
DFPE-125LTA2-D ○ E1-□□-○	1x 25W.									
DFPE-225LTA2-D ○ E1-□□-○	2x 25W.									
DFPE-126LTA2-D ○ E2-□□-○	2x 25W.									

Remark * : The maximum surface temperatures are specified for dust free condition. The dust layer which may cover around the lighting fixture will cause to higher surface temperature.

Lighting: Fluorescent & LED Lighting Fixture, DFPE Series

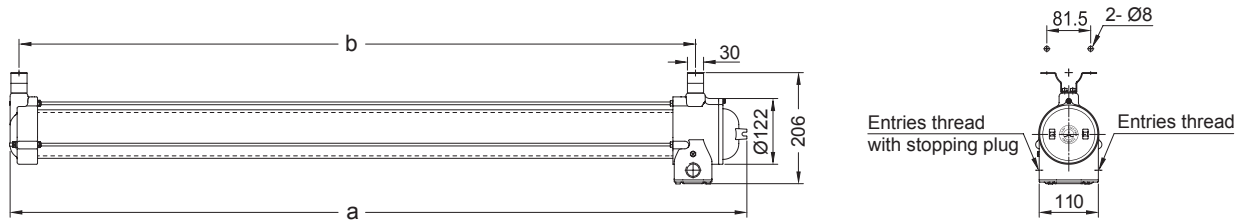
Flameproof/ Increased Safety and Dust protection by enclosure

Zone 1 & 2 – 21 & 22



Ordering Requirements and Dimension

Cat. No.	Lamp Watt	Voltage	Ballast	Temp. Class (for zone 1 & 2)		Max. Surface Temp.* (for zone 21 & 22)		Volume (cm ³)	Dimension in mm.	
				Ta 40 °C	Ta 55 °C	Ta 40 °C	Ta 55 °C		a	b
LED PCB										
DFPE-25LPA2	-D ○ E1- □ □ - ○	25W.	110-240V.ac 50/60Hz. LED Driver	T6	T6	T85°C	T85°C	3,950	755	645
DFPE-30LPA2	-D ○ E1- □ □ - ○	30W.								
DFPE-40LPA2	-D ○ E1- □ □ - ○	40W.								
DFPE-50LPA2	-D ○ E1- □ □ - ○	50W.								
DFPE-60LPA2	-D ○ E1- □ □ - ○	60W.								
DFPE-60LP1A2	-D ○ E2- □ □ - ○	60W.								
DFPE-75LPA2	-D ○ E2- □ □ - ○	75W.						7,020	1370	1258
DFPE-90LPA2	-D ○ E2- □ □ - ○	90W.								



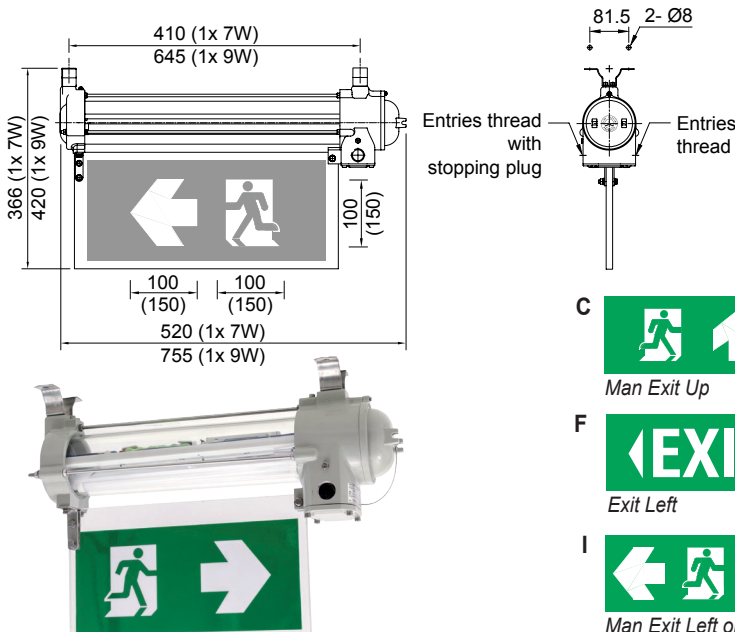
Catalogue Number Logic (Exit Emergency Light)

DFPE -	■	LT	A2	-	D	E1	X	□	-	□	-	○
Series	Lamp Watt	Type LED tube	Rated Voltage	LED Driver with driver	Accessories	Exit	Exit Symbol	Entries	Mounting	Option		
			110-240V.ac		E1 Emergency (1-lamp backup)			M1 M20x1.5 M2 M25x1.5 N1 1/2" NPT N2 3/4" NPT	C Ceiling (standard) C1 Ceiling (for pipe), Fixed C2 Ceiling (for pipe), Swing P1 Pendant (for chain) P2 Pendant (for pipe) B Bracket	SP Surge Protection 10kA, 8/20µF		

Ordering Requirements and Dimension

Cat. No.	Lamp Watt	Image Element Size	Voltage	Driver	Temp. Class (for zone 1 & 2)		Max. Surface Temp.* (for zone 21 & 22)		Volume (cm ³)
					Ta 40°C	Ta 55°C	Ta 40°C	Ta 55°C	
LED Tube									
DFPE-107LTA2-DE1X○- □ □ - ○	1x 7W.	10cm.	110-240V.ac	LED Driver	T6	T6	T85°C	T85°C	2,500
DFPE-109LTA2-DE1X○- □ □ - ○	1x 9W.	15cm.	50/60Hz.		T6	T6	T85°C	T85°C	3,950

Remark *: The maximum surface temperatures are specified for dust free condition. The dust layer which may cover around the lighting fixture will cause to higher surface temperature.



Exit Signs Symbols (□) :

Image element size 10cm. or 15cm. as follow
EIT standard 021004-22

A		B	
C		D	
F		G	
I		H	
A1		B1	

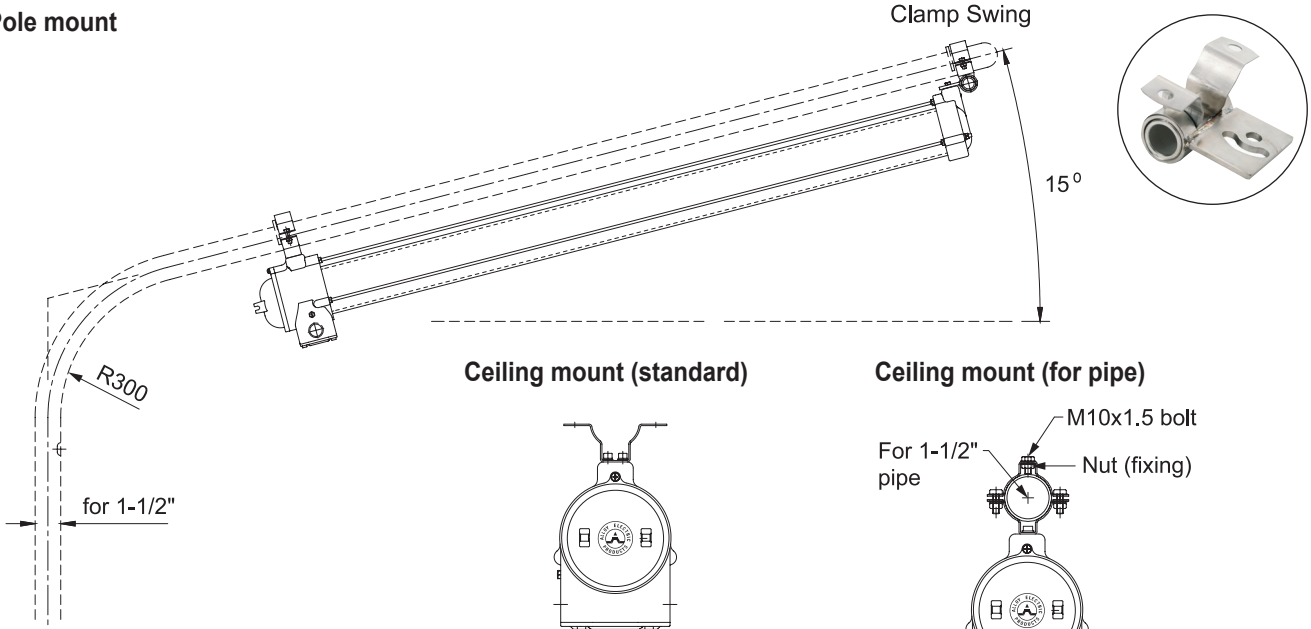
Lighting: Fluorescent & Tube Lighting Fixture, DFPE Series

Flameproof/ Increased Safety and Dust protection by enclosure

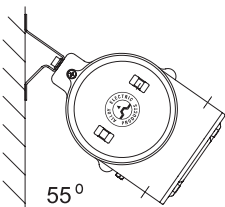
Zone 1 & 2 – 21 & 22

Installation Information

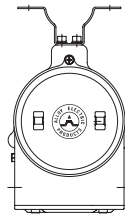
Pole mount



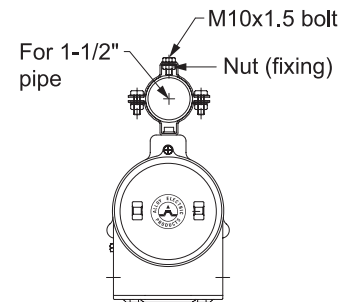
Bracket mount (or wall mount)



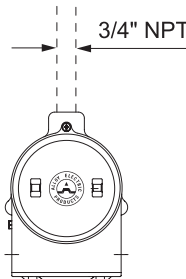
Ceiling mount (standard)



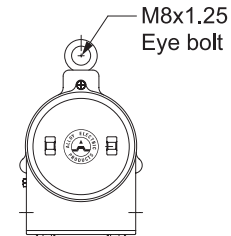
Ceiling mount (for pipe)



Pendant mount (for pipe)

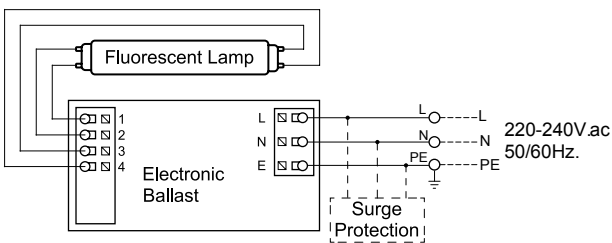


Pendant mount (for chain)

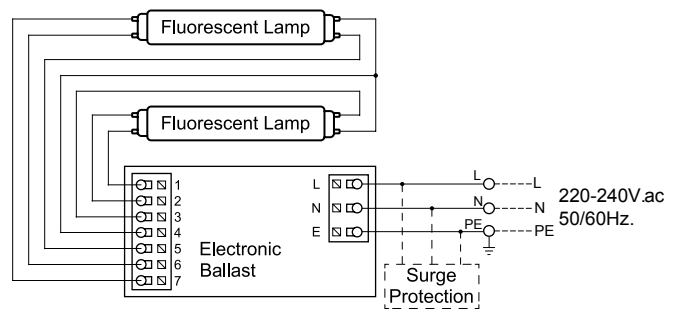


Wiring Diagram

Electronic ballast for fluorescent lamp;
1x 14W., 1x 28W., 1x 18W. and 1x 36W.

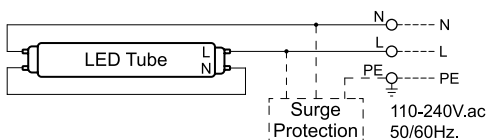


Electronic ballast for fluorescent lamp;
2x 14W., 2x 28W., 2x 18W. and 2x 36W.

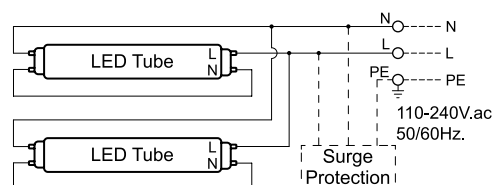


LED Tube (Single-ended), Internal driver

1x Lamp



2x Lamp



Lighting: Fluorescent & LED Lighting Fixture, DFPE Series

Flameproof/ Increased Safety and Dust protection by enclosure

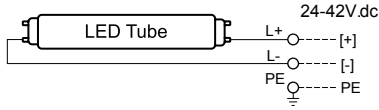
Zone 1 & 2 – 21 & 22



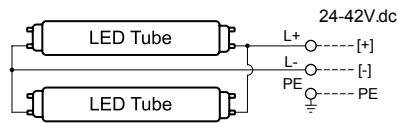
Wiring Diagram

LED Tube (Double-ended), 24-42V.dc

1x Lamp

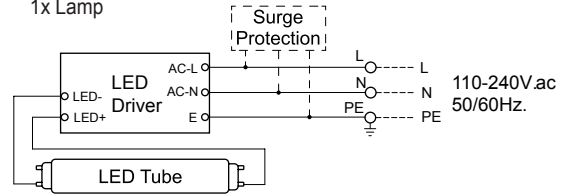


2x Lamp

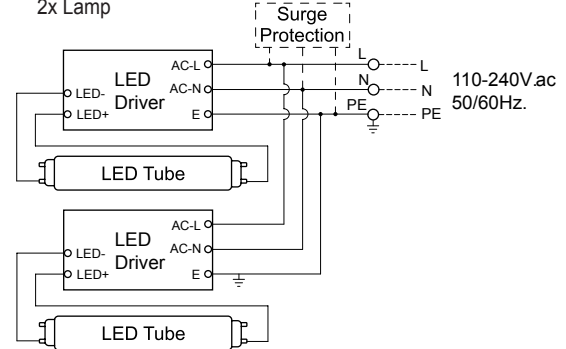


LED Tube (Double-ended) or LED PCB with External driver

1x Lamp

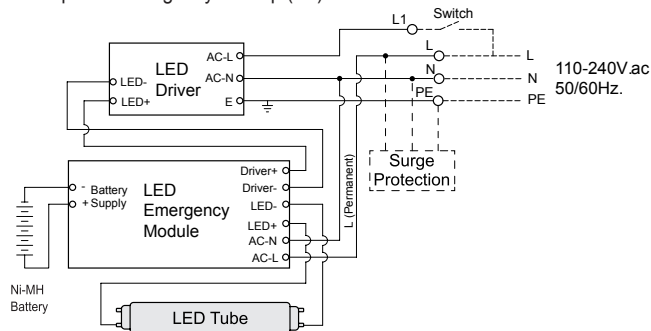


2x Lamp

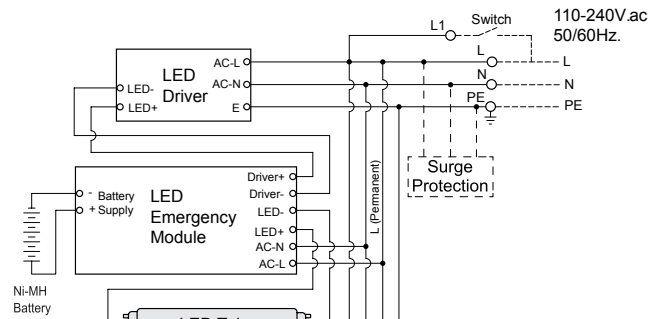


Wiring Diagram (Emergency)

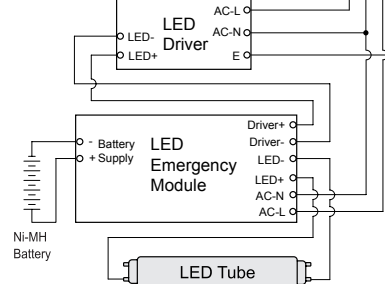
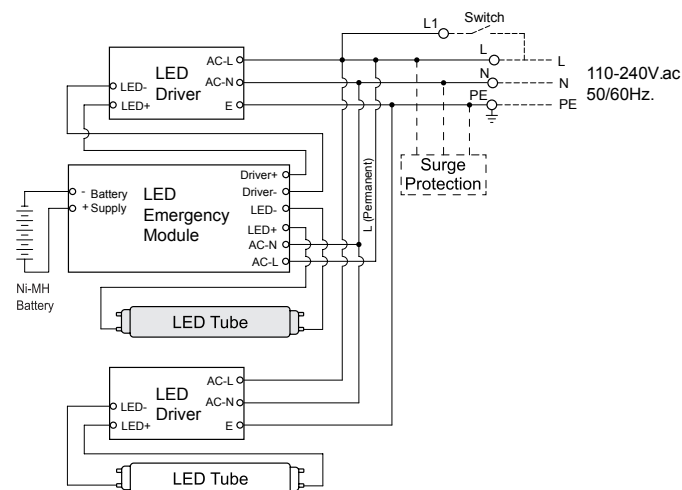
1-Lamp with Emergency backup (E1)



2-Lamps with 2-Lamps Emergency backup (E2)

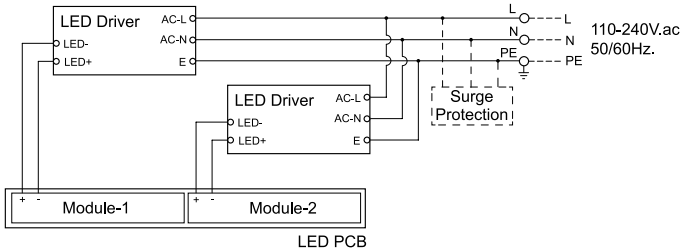


2-Lamps with 1-Lamp Emergency backup (E1)

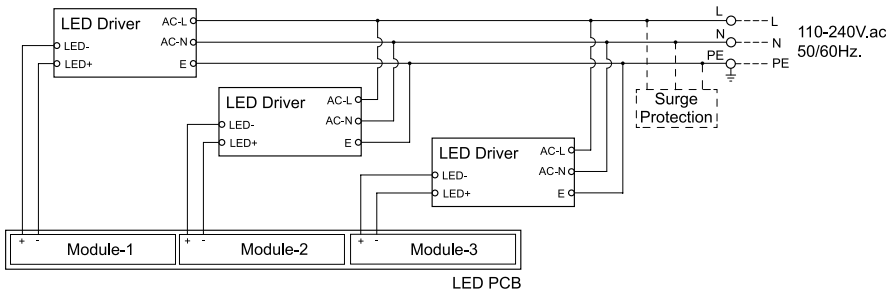


Wiring Diagram; LED PCB

2-Modules; 25W., 30W., 40W., 50W. and 60W.

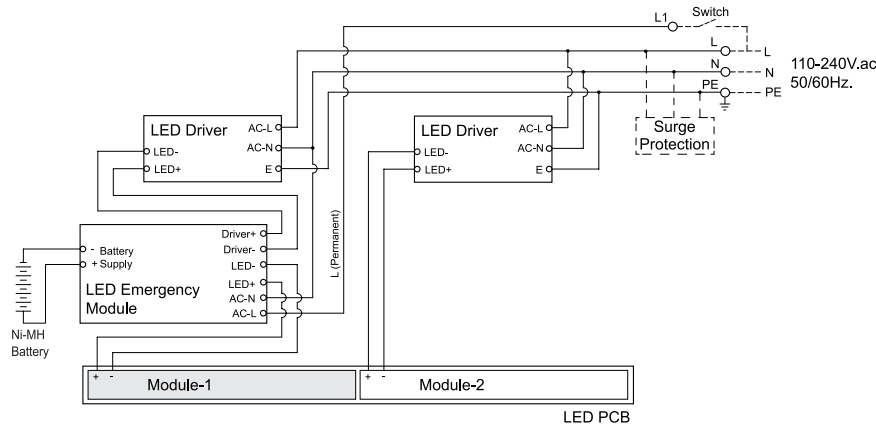


3-Modules; 60W., 75W. and 90W.



Wiring Diagram (Emergency)

2-Modules with Emergency backup (E1)



3-Modules with Emergency backup (E2)

