

# Lighting: Fluorescent & LED Lighting Fixture, DFP1-S Series (Short end cap)

Flameproof and Dust protection by enclosure

Zone 1 & 2 – 21 & 22

## Application

The DFP1-S series can be used all over the world and are suited for lighting applications in hazardous areas, e.g. onshore, offshore platforms or refineries. The different light families allow their optimum use in various environments.

The DFP1-S series consist of a glass tube with two end caps. They are for installation of both single and double T8 and T5 bi-pin fluorescent, LED tube or LED PCB.

## Specification

- Body material : Marine grade copper-free aluminium alloy with polyester powder coated, RAL 7032 (grey) (optional offshore painting-acrylic polyurethane coating)
- Glass tube : Borosilicate glass (4J impact)
- Reflector : Sheet steel with polyester powder coated, RAL 9016 (white)
- Protective guard : Stainless steel, SUS 304 (optional SUS 316)
- Bolts : Stainless steel, SUS 304 (optional SUS 316)
- Sealing (O-ring) : Silicone

## Product Features

- LED tube : meet TIS 2779-2562
- Color Rendering Index (CRI) : >80
- Colour temperature : 3,000K or 6,500K
- Luminous efficient : >120 lm/W
- Power factor : >0.95
- THDi : <15%
- Beam angle : average 115°
- Lifetime : >54000 Hrs. (L70)

## Electrical for Emergency unit

- Operation : Maintained mode
- Battery : Ni-MH, 7.2V. 2.5Ah.
- Recharge time : 16-24 hours, continuous battery recharge
- Emergency duration : 120Min. (2-Hours) (optional Ni-MH, 7.2V. 5Ah. battery for 3-hours)

## Technical Data

<b>Hazardous Area</b>	<b>Gas</b>	<b>Dust</b>
<b>Zones</b>	<b>1 &amp; 2</b>	<b>21 &amp; 22</b>
<b>Equipment Group/Category</b>	<b>II 2G</b>	<b>II 2D</b>
<b>Symbol of Protection</b>	<b>Ex db IIC T6 Gb</b>	<b>Ex tb IIIC T85°C Db</b>
<b>Certificate No.</b>	<b>KDB 24 ATEX 0024X IECEx KDB 24.0007X</b>	
<b>Conformity to Standards</b>	EN IEC 60079-0:2018, EN 60079-1:2014, EN 60079-31:2014 IEC 60079-0:2017, IEC 60079-1:2014, IEC 60079-31:2022	
<b>Ambient Temperature</b>	-20°C to +60°C/ 0°C to +55°C (with emergency battery) -40°C to +60°C (option)	
<b>Index of Protection</b>	IP66	
<b>Entries</b>	Body-1 (2-Entries); 2- M20x1.5, 2- M25x1.5 (1-stopping plug) or 2- 1/2" NPT, 2- 3/4" NPT (1-stopping plug) Body-2 (4-Entries); 4- M20x1.5, 4- M25x1.5 (3-stopping plugs) or 4- 1/2" NPT, 4- 3/4" NPT (3-stopping plugs)	
<b>Mounting</b>	Ceiling, Pendant, Bracket, Stanchion or Pole mount	
<b>Connection</b>	L, N and PE ; for 1-4mm. <sup>2</sup> cable	
<b>Rated Voltage</b>	110-240V.ac 50/60Hz. (P.F. ≥ 0.98) or 24-42V.dc	

## Connection

<p>Standard</p> <p>Screw terminal 1.0-4.0mm.<sup>2</sup></p>	<p>Optional (socket+plug)</p> <p>Push-in cage clamp 1.0-4.0mm.<sup>2</sup></p>	<p>Optional (1-Ea/phase)</p> <p>Splicing Connector 1.0-6.0mm.<sup>2</sup></p>
--	--	---





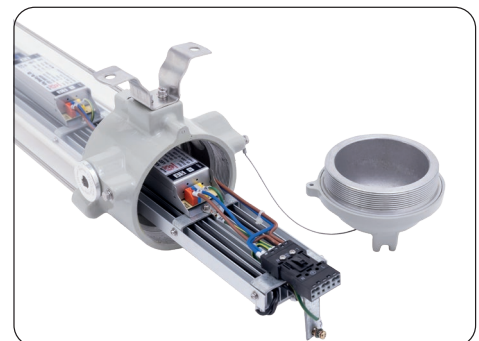
## Ordering Requirements and Dimension

Cat. No.	Lamp Watt	Voltage	Ballast or Driver	Temp. Class (for zone 1 & 2)		Max. Surface Temp.* (for zone 21 & 22)		Volume (cm <sup>3</sup> ) Body-1 (Body-2)	Dimension in mm. Body-1 (Body-2)	
				Ta 40 °C	Ta 60 °C	Ta 40 °C	Ta 60 °C		a	b
<b>LED Tube (with driver)</b>										
DFFP1-105LTA2 -D○-S▲-□□-○	1x 5W.	110-240V.ac 50/60Hz.	LED Driver	T6	T6	T85°C	T85°C	3,950 (4,090)	755 (840)	645 (655)
DFFP1-205LTA2 -D○-S▲-□□-○	2x 5W.									
DFFP1-106LTA2 -D○-S▲-□□-○	1x 6W.									
DFFP1-206LTA2 -D○-S▲-□□-○	2x 6W.									
DFFP1-107LTA2 -D○-S▲-□□-○	1x 7W.									
DFFP1-207LTA2 -D○-S▲-□□-○	2x 7W.									
DFFP1-108LTA2 -D○-S▲-□□-○	1x 8W.									
DFFP1-208LTA2 -D○-S▲-□□-○	2x 8W.									
DFFP1-109LTA2 -D○-S▲-□□-○	1x 9W.									
DFFP1-209LTA2 -D○-S▲-□□-○	2x 9W.									
DFFP1-114LTA2 -D○-S▲-□□-○	1x 14W.	110-240V.ac 50/60Hz.	LED Driver	T6	T6	T85°C	T85°C	7,020 (7,180)	1370 (1455)	1258 (1270)
DFFP1-214LTA2 -D○-S▲-□□-○	2x 14W.									
DFFP1-115LTA2 -D○-S▲-□□-○	1x 15W.									
DFFP1-215LTA2 -D○-S▲-□□-○	2x 15W.									
DFFP1-116LTA2 -D○-S▲-□□-○	1x 16W.									
DFFP1-216LTA2 -D○-S▲-□□-○	2x 16W.									
DFFP1-117LTA2 -D○-S▲-□□-○	1x 17W.									
DFFP1-217LTA2 -D○-S▲-□□-○	2x 17W.									
DFFP1-118LTA2 -D○-S▲-□□-○	1x 18W.									
DFFP1-218LTA2 -D○-S▲-□□-○	2x 18W.									
DFFP1-119LTA2 -D○-S▲-□□-○	1x 19W.									
DFFP1-219LTA2 -D○-S▲-□□-○	2x 19W.									
DFFP1-120LTA2 -D○-S▲-□□-○	1x 20W.									
DFFP1-220LTA2 -D○-S▲-□□-○	2x 20W.									
DFFP1-121LTA2 -D○-S▲-□□-○	1x 21W.									
DFFP1-221LTA2 -D○-S▲-□□-○	2x 21W.									
DFFP1-122LTA2 -D○-S▲-□□-○	1x 22W.									
DFFP1-222LTA2 -D○-S▲-□□-○	2x 22W.									
DFFP1-123LTA2 -D○-S▲-□□-○	1x 23W.									
DFFP1-223LTA2 -D○-S▲-□□-○	2x 23W.									
DFFP1-124LTA2 -D○-S▲-□□-○	1x 24W.									
DFFP1-224LTA2 -D○-S▲-□□-○	2x 24W.									
DFFP1-125LTA2 -D○-S▲-□□-○	1x 25W.									
DFFP1-225LTA2 -D○-S▲-□□-○	2x 25W.									
<b>LED PCB</b>										
DFFP1-25LPA2 -D○-S▲-□□-○	25W.	110-240V.ac 50/60Hz.	LED Driver	T6	T6	T85°C	T85°C	3,950 (4,090)	755 (840)	645 (655)
DFFP1-30LPA2 -D○-S▲-□□-○	30W.									
DFFP1-40LPA2 -D○-S▲-□□-○	40W.									
DFFP1-50LPA2 -D○-S▲-□□-○	50W.									
DFFP1-60LPA2 -D○-S▲-□□-○	60W.									
DFFP1-60LP1A2 -D○-S▲-□□-○	60W.							7,020 (7,180)	1370 (1455)	1258 (1270)
DFFP1-75LPA2 -D○-S▲-□□-○	75W.									
DFFP1-90LPA2 -D○-S▲-□□-○	90W.									

Lighting source; cool white (6500K) are standard and/or warm white (3000K), please specify.

## LED tube Data

Lamp Watt	Total Lumen Flux	Luminous Efficacy	Colour Rendering Index	Colour Temp.	Driver
9W.	1,000lm	100lm/W	80	6,500K	Internal
18W.	2,600lm	140lm/W	80	6,500K	Internal
20W.	2,800lm	140lm/W	80	6,500K	Internal
22W.	3,500lm	150lm/W	80	6,500K	Internal
25W.	3,800lm	150lm/W	80	6,500K	Internal
25W.	3,800lm	150lm/W	80	6,500K	External



Remark \*: The maximum surface temperatures are specified for dust free condition. The dust layer which may cover around the lighting fixture will cause to higher surface temperature.

# Lighting: Fluorescent & LED Lighting Fixture, DFP1-S Series (Short end cap)

Flameproof and Dust protection by enclosure

Zone 1 & 2 – 21 & 22

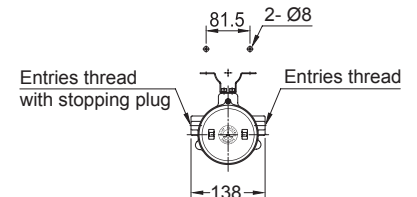
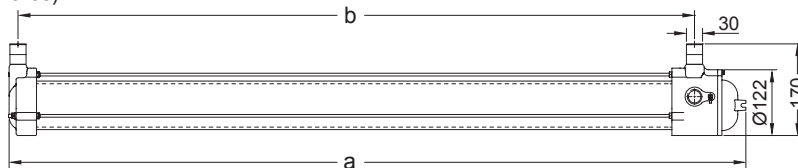


## Ordering Requirements and Dimension

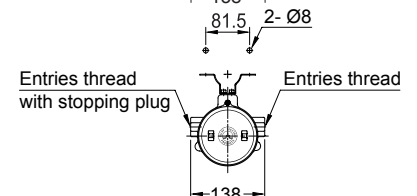
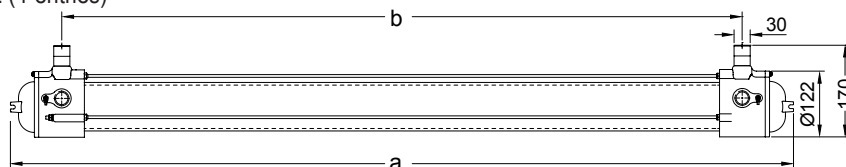
Cat. No.	Lamp Watt	Voltage	Ballast or Driver	Temp. Class (for zone 1 & 2)		Max. Surface Temp.* (for zone 21 & 22)		Volume (cm <sup>3</sup> ) Body-1 (Body-2)	Dimension in mm. Body-1 (Body-2)	
				Ta 40 °C	Ta 60 °C	Ta 40 °C	Ta 60 °C		a	b
<b>LED Tube (without driver)</b>										
DFP1-105LTD1 - ○-S▲-□□-○	1x 5W.	24-42V.dc	-	T6	T6	T85°C	T85°C	3,950 (4,090)	755 (840)	645 (655)
DFP1-205LTD1 - ○-S▲-□□-○	2x 5W.									
DFP1-106LTD1 - ○-S▲-□□-○	1x 6W.									
DFP1-206LTD1 - ○-S▲-□□-○	2x 6W.									
DFP1-107LTD1 - ○-S▲-□□-○	1x 7W.									
DFP1-207LTD1 - ○-S▲-□□-○	2x 7W.									
DFP1-108LTD1 - ○-S▲-□□-○	1x 8W.									
DFP1-208LTD1 - ○-S▲-□□-○	2x 8W.									
DFP1-109LTD1 - ○-S▲-□□-○	1x 9W.									
DFP1-209LTD1 - ○-S▲-□□-○	2x 9W.									
DFP1-114LTD1 - ○-S▲-□□-○	1x 14W.	24-42V.dc	-	T6	T6	T85°C	T85°C	7,020 (7,180)	1370 (1455)	1258 (1270)
DFP1-214LTD1 - ○-S▲-□□-○	2x 14W.									
DFP1-115LTD1 - ○-S▲-□□-○	1x 15W.									
DFP1-215LTD1 - ○-S▲-□□-○	2x 15W.									
DFP1-116LTD1 - ○-S▲-□□-○	1x 16W.									
DFP1-216LTD1 - ○-S▲-□□-○	2x 16W.									
DFP1-117LTD1 - ○-S▲-□□-○	1x 17W.									
DFP1-217LTD1 - ○-S▲-□□-○	2x 17W.									
DFP1-118LTD1 - ○-S▲-□□-○	1x 18W.									
DFP1-218LTD1 - ○-S▲-□□-○	2x 18W.									
DFP1-119LTD1 - ○-S▲-□□-○	1x 19W.									
DFP1-219LTD1 - ○-S▲-□□-○	2x 19W.									
DFP1-120LTD1 - ○-S▲-□□-○	1x 20W.									
DFP1-220LTD1 - ○-S▲-□□-○	2x 20W.									
DFP1-121LTD1 - ○-S▲-□□-○	1x 21W.									
DFP1-221LTD1 - ○-S▲-□□-○	2x 21W.									
DFP1-122LTD1 - ○-S▲-□□-○	1x 22W.									
DFP1-222LTD1 - ○-S▲-□□-○	2x 22W.									
DFP1-123LTD1 - ○-S▲-□□-○	1x 23W.									
DFP1-223LTD1 - ○-S▲-□□-○	2x 23W.									
DFP1-124LTD1 - ○-S▲-□□-○	1x 24W.									
DFP1-224LTD1 - ○-S▲-□□-○	2x 24W.									
DFP1-125LTD1 - ○-S▲-□□-○	1x 25W.									
DFP1-225LTD1 - ○-S▲-□□-○	2x 25W.									
<b>LED PCB (with driver)</b>										
DFP1-25LPD1 - D○-S▲-□□-○	25W.	24-42V.dc	LED Driver	T6	T6	T85°C	T85°C	3,950 (4,090)	755 (840)	645 (655)
DFP1-30LPD1 - D○-S▲-□□-○	30W.									
DFP1-40LPD1 - D○-S▲-□□-○	40W.									
DFP1-50LPD1 - D○-S▲-□□-○	50W.									
DFP1-60LPD1 - D○-S▲-□□-○	60W.									
DFP1-60LP1D1 - D○-S▲-□□-○	60W.							7,020 (7,180)	1370 (1455)	1258 (1270)
DFP1-75LPD1 - D○-S▲-□□-○	75W.									
DFP1-90LPD1 - D○-S▲-□□-○	90W.									

Lighting source; cool white (6500K) are standard and/or warm white (3000K), please specify.

Body-1 (2-entries)



Body-2 (4-entries)



Remark \*: The maximum surface temperatures are specified for dust free condition. The dust layer which may cover around the lighting fixture will cause to higher surface temperature.

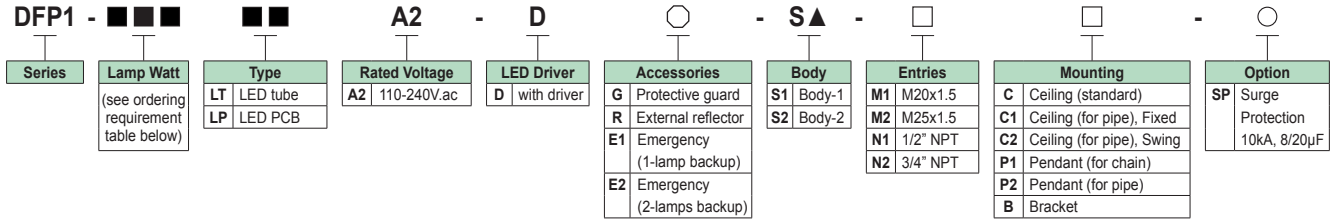


# Lighting: Fluorescent & LED Lighting Fixture, DFP1-S Series (Short end cap)

Flameproof and Dust protection by enclosure

Zone 1 & 2 – 21 & 22

## Catalogue Number Logic (Emergency Light)



## Ordering Requirements and Dimension

Cat. No.	Lamp Watt	Voltage	Ballast	Temp. Class (for zone 1 & 2)		Max. Surface Temp.* (for zone 21 & 22)		Volume (cm <sup>3</sup> ) Body-1 (Body-2)	Dimension in mm. Body-1 (Body-2)	
				Ta 40 °C	Ta 55 °C	Ta 40 °C	Ta 55 °C		a	b
<b>LED Tube</b>										
DFP1-105LTA2-D ○ E1-S▲-□□-○	1x 5W.	110-240V.ac	LED	T6	T6	T85°C	T85°C	3,950	755	645
DFP1-205LTA2-D ○ E1-S▲-□□-○	2x 5W.	50/60Hz.	Driver					(4,090)	(840)	(655)
DFP1-106LTA2-D ○ E1-S▲-□□-○	1x 6W.									
DFP1-206LTA2-D ○ E1-S▲-□□-○	2x 6W.									
DFP1-107LTA2-D ○ E1-S▲-□□-○	1x 7W.									
DFP1-207LTA2-D ○ E1-S▲-□□-○	2x 7W.									
DFP1-108LTA2-D ○ E1-S▲-□□-○	1x 8W.									
DFP1-208LTA2-D ○ E1-S▲-□□-○	2x 8W.									
DFP1-109LTA2-D ○ E1-S▲-□□-○	1x 9W.									
DFP1-209LTA2-D ○ E1-S▲-□□-○	2x 9W.									
DFP1-114LTA2-D ○ E1-S▲-□□-○	1x 14W.	110-240V.ac	LED	T6	T6	T85°C	T85°C	7,020	1370	1258
DFP1-214LTA2-D ○ E1-S▲-□□-○	2x 14W.	50/60Hz.	Driver					(7,180)	(1455)	(1270)
DFP1-214LTA2-D ○ E2-S▲-□□-○	2x 14W.									
DFP1-115LTA2-D ○ E1-S▲-□□-○	1x 15W.									
DFP1-215LTA2-D ○ E1-S▲-□□-○	2x 15W.									
DFP1-215LTA2-D ○ E1-S▲-□□-○	2x 15W.									
DFP1-116LTA2-D ○ E1-S▲-□□-○	1x 16W.									
DFP1-216LTA2-D ○ E1-S▲-□□-○	2x 16W.									
DFP1-216LTA2-D ○ E2-S▲-□□-○	2x 16W.									
DFP1-117LTA2-D ○ E1-S▲-□□-○	1x 17W.									
DFP1-217LTA2-D ○ E1-S▲-□□-○	2x 17W.									
DFP1-217LTA2-D ○ E2-S▲-□□-○	2x 17W.									
DFP1-118LTA2-D ○ E1-S▲-□□-○	1x 18W.									
DFP1-218LTA2-D ○ E1-S▲-□□-○	2x 18W.									
DFP1-218LTA2-D ○ E2-S▲-□□-○	2x 18W.									
DFP1-119LTA2-D ○ E1-S▲-□□-○	1x 19W.									
DFP1-219LTA2-D ○ E1-S▲-□□-○	2x 19W.									
DFP1-219LTA2-D ○ E2-S▲-□□-○	2x 19W.									
DFP1-120LTA2-D ○ E1-S▲-□□-○	1x 20W.									
DFP1-220LTA2-D ○ E1-S▲-□□-○	2x 20W.									
DFP1-220LTA2-D ○ E2-S▲-□□-○	2x 20W.									
DFP1-121LTA2-D ○ E1-S▲-□□-○	1x 21W.									
DFP1-221LTA2-D ○ E1-S▲-□□-○	2x 21W.									
DFP1-221LTA2-D ○ E2-S▲-□□-○	2x 21W.									
DFP1-122LTA2-D ○ E1-S▲-□□-○	1x 22W.									
DFP1-222LTA2-D ○ E1-S▲-□□-○	2x 22W.									
DFP1-222LTA2-D ○ E2-S▲-□□-○	2x 22W.									
DFP1-123LTA2-D ○ E1-S▲-□□-○	1x 23W.									
DFP1-223LTA2-D ○ E1-S▲-□□-○	2x 23W.									
DFP1-223LTA2-D ○ E2-S▲-□□-○	2x 23W.									
DFP1-124LTA2-D ○ E1-S▲-□□-○	1x 24W.									
DFP1-224LTA2-D ○ E1-S▲-□□-○	2x 24W.									
DFP1-224LTA2-D ○ E2-S▲-□□-○	2x 24W.									

Lighting source; cool white (6500K) are standard and/or warm white (3000K), please specify.

Remark \*: The maximum surface temperatures are specified for dust free condition. The dust layer which may cover around the lighting fixture will cause to higher surface temperature.

# Lighting: Fluorescent & LED Lighting Fixture, DFP1-S Series (Short end cap)

Flameproof and Dust protection by enclosure

Zone 1 & 2 – 21 & 22

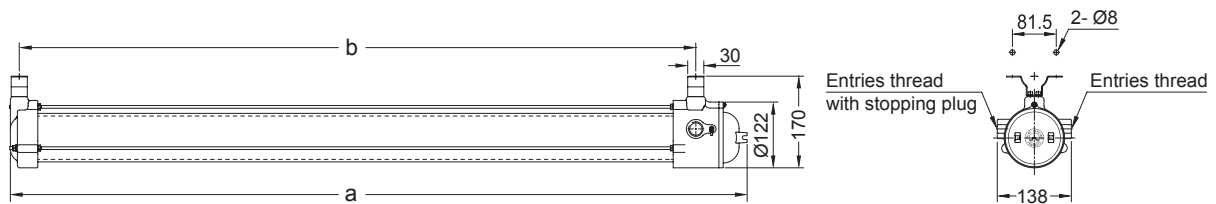


## Ordering Requirements and Dimension

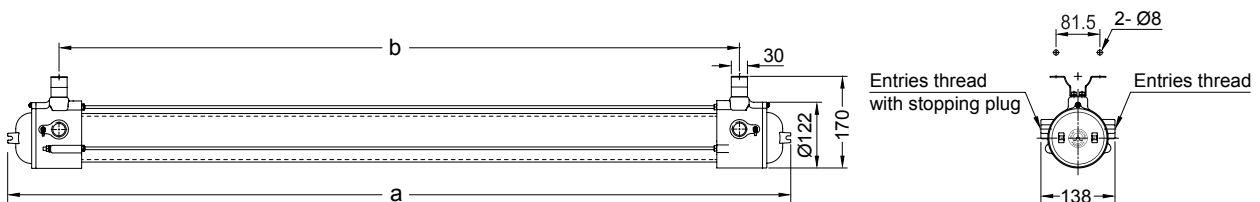
Cat. No.	Lamp Watt	Voltage	Ballast	Temp. Class (for zone 1 & 2)		Max. Surface Temp.* (for zone 21 & 22)		Volume (cm <sup>3</sup> ) Body-1 (Body-2)	Dimension in mm. Body-1 (Body-2)	
				Ta 40 °C	Ta 55 °C	Ta 40 °C	Ta 55 °C		a	b
<b>LED Tube</b>										
DFP1-125LTA2 -D ○ E1-S ▲ -□□ -○	1x 25W.	110-240V.ac 50/60Hz.	LED Driver	T6	T6	T85°C	T85°C	7,020 (7,180)	1370 (1455)	1258 (1270)
DFP1-225LTA2 -D ○ E1-S ▲ -□□ -○	2x 25W.									
DFP1-225LTA2 -D ○ E2-S ▲ -□□ -○	2x 25W.									
<b>LED PCB</b>										
DFP1-25LPA2 -D ○ E1-S ▲ -□□ -○	25W.	110-240V.ac 50/60Hz.	LED Driver	T6	T6	T85°C	T85°C	3,950 (4,090)	755 (840)	645 (655)
DFP1-30LPA2 -D ○ E1-S ▲ -□□ -○	30W.									
DFP1-40LPA2 -D ○ E1-S ▲ -□□ -○	40W.									
DFP1-50LPA2 -D ○ E1-S ▲ -□□ -○	50W.									
DFP1-60LPA2 -D ○ E1-S ▲ -□□ -○	60W.							7,020 (7,180)	1370 (1455)	1258 (1270)
DFP1-60LP1A2 -D ○ E2-S ▲ -□□ -○	60W.									
DFP1-75LPA2 -D ○ E2-S ▲ -□□ -○	75W.									
DFP1-90LPA2 -D ○ E2-S ▲ -□□ -○	90W.									

Remark \*: The maximum surface temperatures are specified for dust free condition. The dust layer which may cover around the lighting fixture will cause to higher surface temperature.

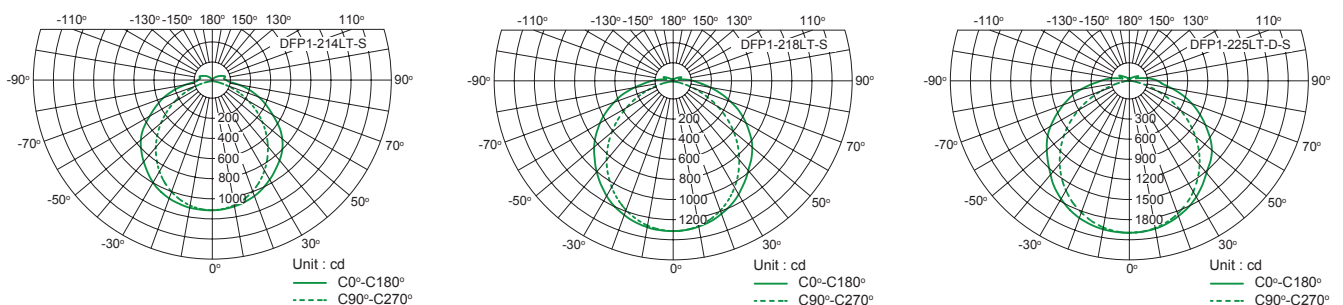
### Body-1 (2-entries)



### Body-2 (4-entries)



### Luminous Intensity Distribution Curve



Complete photometrics, please contact us.

### Catalogue Number Logic (Exit Emergency Light)

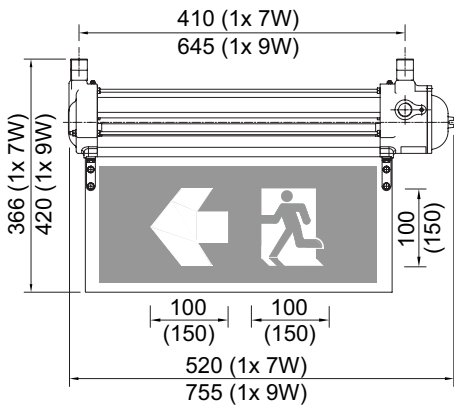
DFP1 - ■	LT	A2	-	D	E1	X	○	-	▲	-	□	-	□	-	○
Series	Lamp Watt	Type LED tube	Rated Voltage	LED Driver with driver	Accessories	Exit	Exit Symbol	Body	Entries	Mounting	Option				
			110-240V.ac		E1 Emergency (1-lamp backup)			S1 Body-1 S2 Body-2	M1 M20x1.5 M2 M25x1.5 N1 1/2" NPT N2 3/4" NPT	C Ceiling (standard) C1 Ceiling (for pipe), Fixed C2 Ceiling (for pipe), Swing P1 Pendant (for chain) P2 Pendant (for pipe) B Bracket	SP Surge Protection 10kA, 8/20µF				

### Ordering Requirements and Dimension

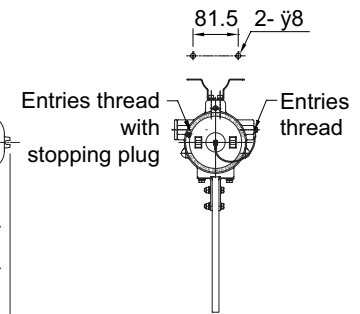
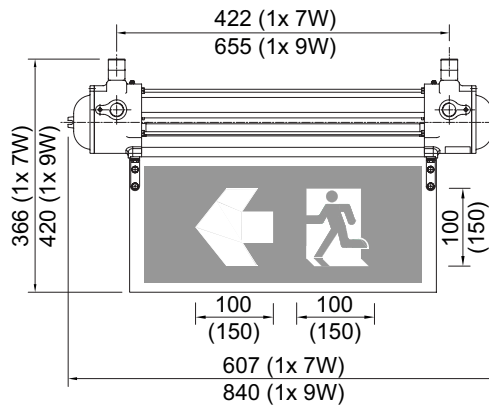
Cat. No.	Lamp Watt	Image Element Size	Voltage	Driver	Temp. Class (for zone 1 & 2)		Max. Surface Temp.* (for zone 21 & 22)		Volume (cm <sup>3</sup> ) Body-1 (Body-2)
					Ta 40°C	Ta 55°C	Ta 40°C	Ta 55°C	
<b>LED Tube</b>									
DFP1-107LTA2-DE1X○-S▲-□□-○	1x 7W.	10cm.	110-240V.ac 50/60Hz.	LED Driver	T6	T6	T85°C	T85°C	2,500 (2,910)
DFP1-109LTA2-DE1X○-S▲-□□-○	1x 9W.	15cm.							7,020 (7,180)

Remark: \* The maximum surface temperatures are specified for dust free condition. The dust layer which may cover around the lighting fixture will cause to higher surface temperature.

#### Body-1 (2-entries)



#### Body-2 (4-entries)



#### Exit Signs Symbols (○) :

Image element size 10cm. or 15cm. as follow EIT standard 021004-22

- A Man Exit Right
- B Man Exit Left
- C Man Exit Up
- D Man Exit Down
- E Exit
- F Exit Left
- G Exit Right
- H Exit Left or Right
- I Man Exit Left or Right
- A1 Man Exit
- B1 Man Exit

# Lighting: Fluorescent & LED Lighting Fixture, DFP1-S Series (Short end cap)

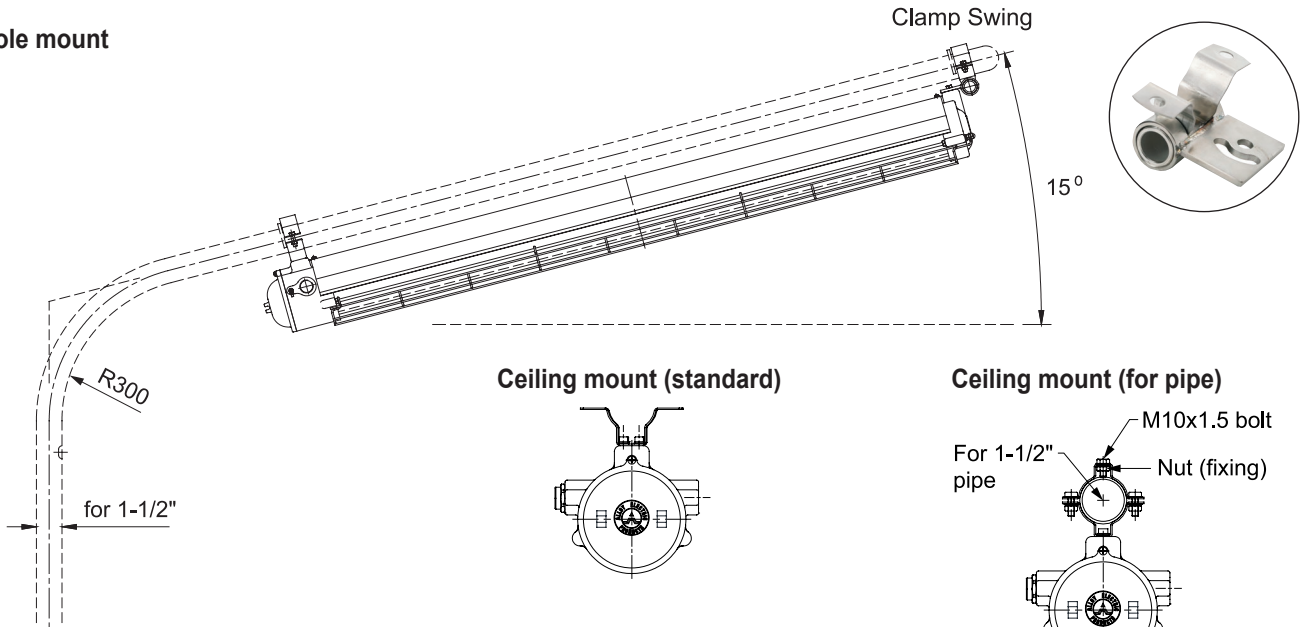
Flameproof and Dust protection by enclosure

Zone 1 & 2 – 21 & 22

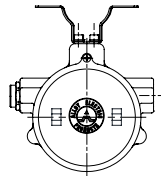


## Installation Information

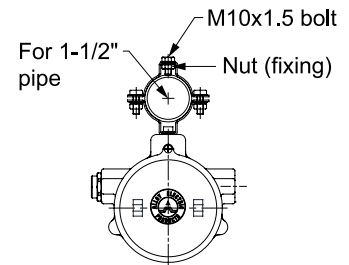
### Pole mount



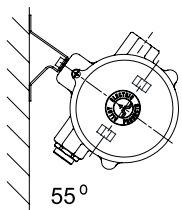
Ceiling mount (standard)



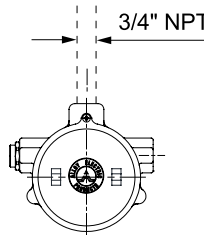
Ceiling mount (for pipe)



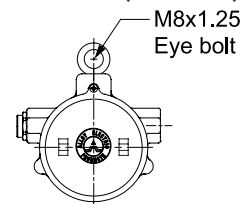
### Bracket mount (or wall mount)



Pendant mount (for pipe)

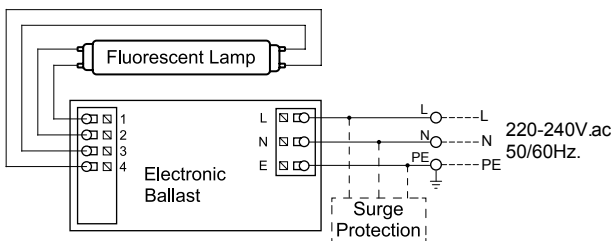


Pendant mount (for chain)

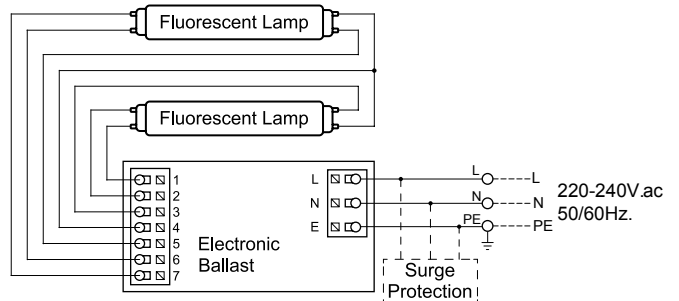


## Wiring Diagram

Electronic ballast for fluorescent lamp;  
1x 14W., 1x 28W., 1x 18W. and 1x 36W.

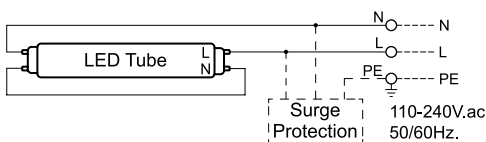


Electronic ballast for fluorescent lamp;  
2x 14W., 2x 28W., 2x 18W. and 2x 36W.

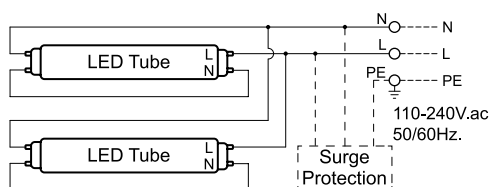


LED Tube (Single-ended), Internal driver

1x Lamp



2x Lamp

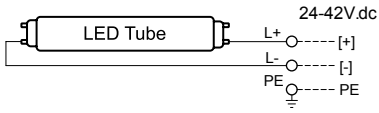




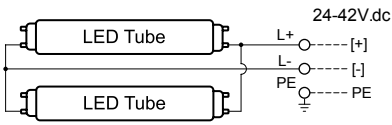
## Wiring Diagram

LED Tube (Double-ended), 24-42V.dc

1x Lamp

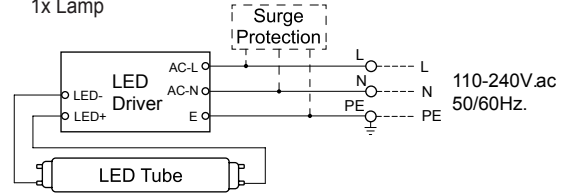


2x Lamp

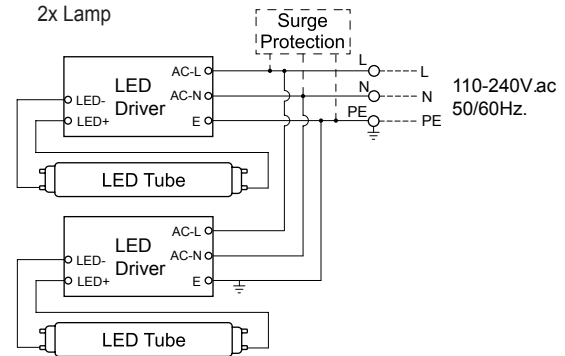


LED Tube (Double-ended) or LED PCB with External driver

1x Lamp

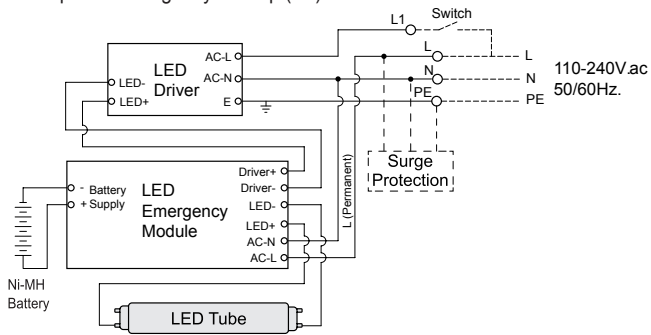


2x Lamp

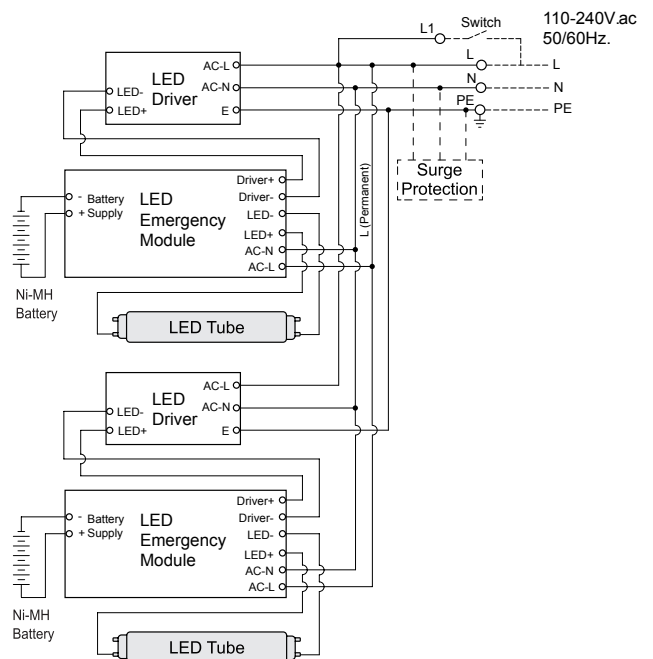


## Wiring Diagram (Emergency)

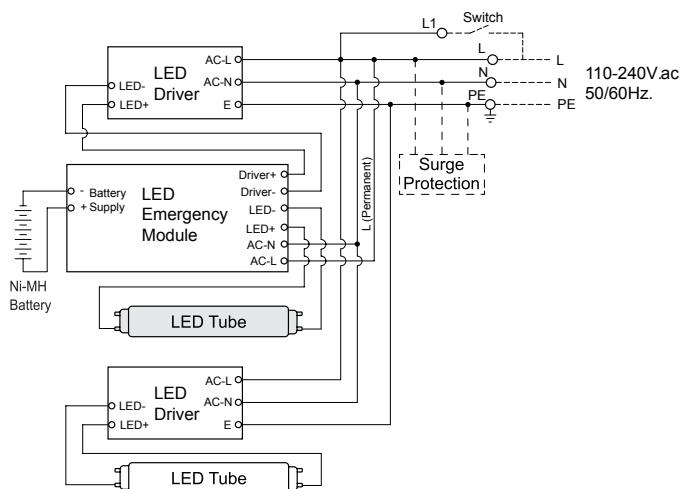
1-Lamp with Emergency backup (E1)



2-Lamps with 2-Lamps Emergency backup (E2)



2-Lamps with 1-Lamp Emergency backup (E1)



# Lighting: Fluorescent & LED Lighting Fixture, DFP1-S Series (Short end cap)

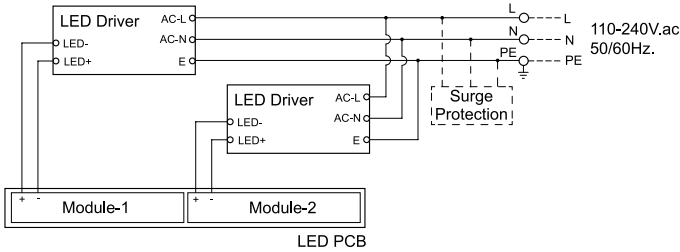
Flameproof and Dust protection by enclosure

Zone 1 & 2 – 21 & 22

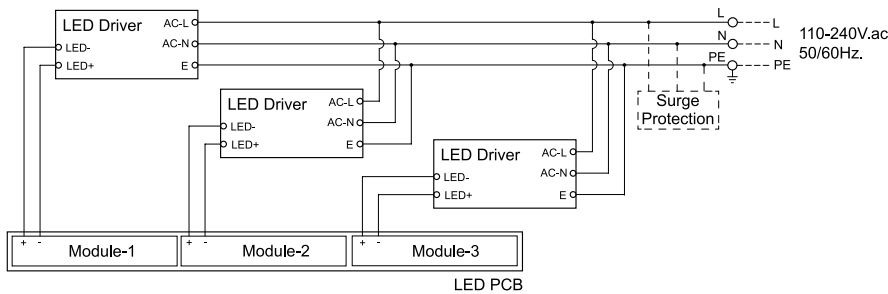


## Wiring Diagram; LED PCB

2-Modules; 25W., 30W., 40W., 50W. and 60W.

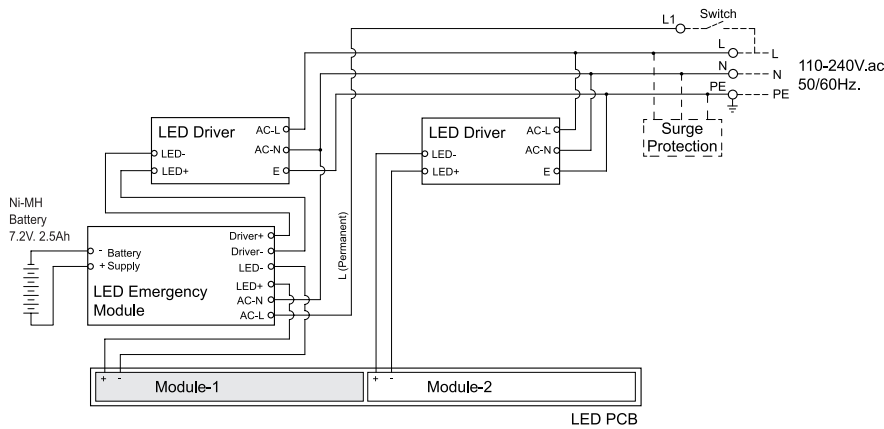


3-Modules; 60W., 75W. and 90W.



## Wiring Diagram (Emergency)

2-Modules with Emergency backup (E1)



3-Modules with Emergency backup (E2)

