

Lighting: Floodlight, DFDM/ DFDS/ DFDH Series

Flameproof/ Increased Safety and Dust protection by enclosure

Zone 1 & 2 – 21 & 22



Application

DFD series has been designed for zone 1 & 2 and zone 21, 22
Efficient floodlights for large areas such as industrial complexes and ship loading areas and/or hazardous areas.

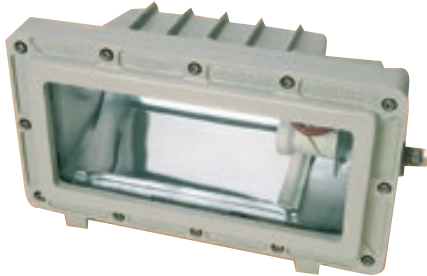
Specification

- Body material : Marine grade copper-free aluminium alloy with polyester powder coated, RAL 7032 (grey)
- Lens : Heat and impact resistant clear glass
- Bolts : Stainless steel, SUS 304
- Bracket : Hot-dip galvanized steel
- Internal reflector : Anodized aluminium
- Sealing (O-ring) : Silicone

Technical Data

Hazardous Area	Gas		Dust	
Zones	1 & 2		21 & 22	
Equipment Group/Category	II 2G		II 2D	
Symbol of Protection	Ex db eb IIB T** Gb		Ex tb IIIC T** °C Db	
Conformity to standards	EN IEC 60079-0:2018, EN 60079-1:2014, EN IEC 60079-7:2015/A1:2018, EN 60079-31:2014			
Ambient Temperature	-20°C to +55°C			
Index of Protection	IP66			
Entries	1-hole standard (M20x1.5, M25x1.5, 1/2" NPT or 3/4" NPT), 2-holes are optional			
Mounting	Bracket mounting			
Connection	L, N and PE ; for 1-4mm. ² cable			
Rated Voltage	220, 230V.ac ±5% 50Hz.			

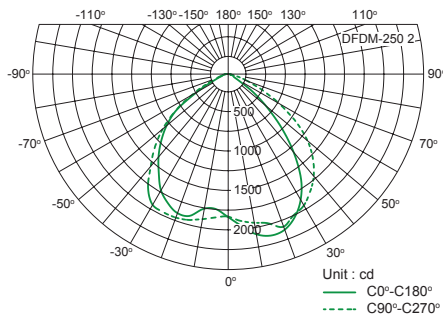
** See temperature class on catalogue number table.



Catalogue Number Logic

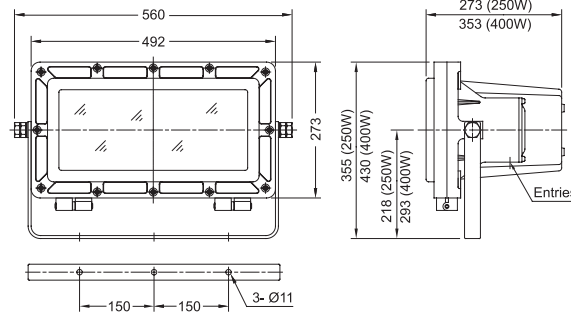
Series	Lamp Watt	Voltage	Entries	
DFDM Mercury Vapor	(see ordering requirement table below)	2 220V.ac	M1 M20x1.5	N1 1/2" NPT
DFDS High Pressure Sodium		3 230V.ac	M2 M25x1.5	N2 3/4" NPT
DFDH Metal Halide				

Luminous Intensity Distribution Curve

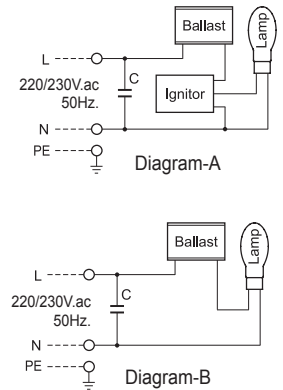


Complete photometrics, please contact us.

Dimension



Wiring Diagram



Ordering Requirements

Cat. No.	Lamp Watt	Voltage	Lamp/ Ballast/ Ignitor	Temp. Class (for zone 1 & 2)		Max. Surface Temp.* (for zone 21 & 22)		Wiring Diagram	Approx. Weight (kgs.)	
				Ta 40°C	Ta 55°C	Ta 40°C	Ta 55°C			
Mercury Vapor Lamp										
DFDM-2502	- □ □	250W.	220V.ac 50Hz.	HPL-N 250W / Q250.513 / -	T4	T3	T130°C	T160°C	Dia-B	24.5
DFDM-4002	- □ □	400W.		HPL-N 400W / Q400.561 / -	T3	T3	T165°C	T180°C		27.2
DFDM-2503	- □ □	250W.	230V.ac 50Hz.	HPL-N 250W / Q250.528 / -	T4	T3	T130°C	T165°C	Dia-B	24.5
High Pressure Sodium Lamp										
DFDS-2502	- □ □	250W.	220V.ac 50Hz.	SON-T 250W / NaHJ250.160 / Z400M	T4	T3	T130°C	T160°C	Dia-A	24.5
DFDS-4002	- □ □	400W.		SON-T 400W / NaHJ400.162 / Z400M	T3	T3	T160°C	T180°C		27.2
DFDS-4003	- □ □	400W.	230V.ac 50Hz.	SON-T 400W / NaHJ400.006 / Z400M	T3	T3	T160°C	T180°C	Dia-A	27.2
Metal Halide Lamp										
DFDH-2502	- □ □	250W.	220V.ac 50Hz.	HPI-T PLUS 250W / Q250.513 / Z400M	T4	T3	T135°C	T175°C	Dia-A	24.5
DFDH-4002	- □ □	400W.		HPI-T PLUS-400W / Q400.561 / Z400M	T3	T3	T165°C	T180°C		27.2
DFDH-2503	- □ □	250W.	230V.ac 50Hz.	HPI-T PLUS-250W / Q250.528 / Z400M	T4	T3	T135°C	T160°C	Dia-A	24.5

Remark *: The maximum surface temperatures are specified for dust free condition. The dust layer which may cover around the lighting fixture will cause to higher surface temperature.