

# Signal and Alarm: Grounding Indicator, DCT1-GI Series

Flameproof and Dust protection by enclosure

Zone 1 & 2 – 21 & 22



## Application

The DCT1-GI Static Grounding Indicator is the ideal product for safe loading/unloading of ethanol, biofuel, petroleum, chemicals, plastics and other combustible materials.

The DCT1-GI is mounted adjacent to loading/unloading areas and connected to transportation tank vehicles, railcars, drums or other portable containers to prevent explosions due to static discharge during product transfer by providing:

- A ground path for static build-up
- Automatic pump shutdown when static grounding circuit is broken
- Visual indication of safe, static grounding before, during and after loading and unloading operations

## Specification

- Body, cover : Marine grade copper-free aluminium alloy with polyester powder coated, RAL 7032 (Grey)  
(optional offshore painting- acrylic polyurethane coating)
- Bolts : Stainless steel, SUS 304  
(optional SUS 316)
- Sealing (O-ring) : Silicone

## Technical Data

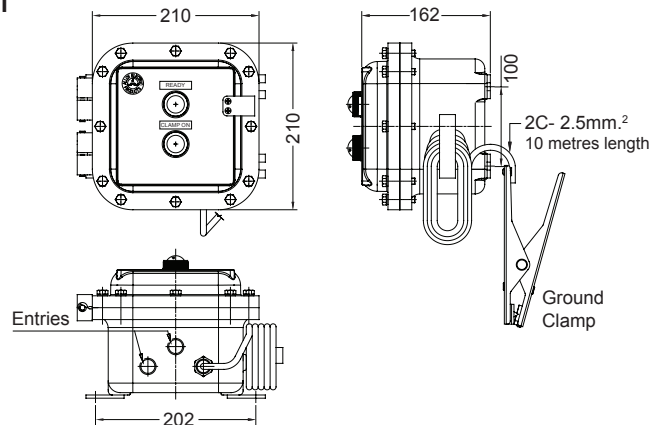
<b>Hazardous Area</b>	<b>Gas</b>	<b>Dust</b>
<b>Zones</b>	1 & 2	21 & 22
<b>Equipment Group/Category</b>	Ex II 2G	Ex II 2D
<b>Symbol of Protection</b>	Ex db IIB T6/T5 Gb	Ex tb IIIC T85°C/ T100°C Db
<b>Certificate</b>	TÜV CY 18 ATEX 0206140X	
<b>Conformity to Standards</b>	EN 60079-0:2012/A11:2013, EN 60079-1:2014, EN 60079-31:2014	
<b>Ambient Temperature</b>	-20°C to +55°C	
<b>Index of Protection</b>	IP66	
<b>Entries</b>	2- M25x1.5 or 2- 3/4" NPT at Bottom	
<b>Mounting</b>	Wall mount	
<b>Rated Voltage</b>	110V, 220-230V.ac 50/60Hz. or 24V.dc	

## Catalogue Number Logic

<b>DCT1</b>	■ ■ ■	-	<b>GI</b>	■ ■
<b>Series</b>	<b>Size</b>		<b>Type</b>	<b>Voltage</b>
886	8"x8"x6"		Grounding Indicator	11A 110V.ac 50/60Hz.
9157	9"x15"x7"			22A 220-230V.ac 50/60Hz.
				24D 24V.dc

## Dimension

### DCT1 886-GI



### DCT1 9157-GI

