

## Application

■ The DCR control boxes suitable for use in areas where group IIC gases are present in any environments where there is a risk of explosion and/or fire or where combustible dust is present, classified as Zone 1, 2, 21, 22.

■ For used to produce control and signalling boards, circuit breaker and motor starter boxes with different configurations, which are specially customized to the requirements of customers

## Specification

- Body, cover : Marine grade copper-free aluminium alloy with polyester powder coated, RAL 7032 (Grey)  
 (optional offshore painting- acrylic polyurethane coating)
- Bolts : Stainless steel, SUS 304  
 (optional SUS 316)
- Sealing (O-ring) : Silicone



## Technical Data

<b>Hazardous Area</b>	Gas	Dust
<b>Zones</b>	1 & 2	21 & 22
<b>Equipment Group/Category</b>	Ex db IIC 2G	Ex tb IIIC 2D
<b>Symbol of Protection</b>	Ex db IIC T6/T5 Gb	Ex tb IIIC T85°C/ T100°C Db
<b>Certificate No.</b>	KDB 23 ATEX 0031X IECEx KDB 23.0008X	
<b>Conformity to Standards</b>	EN IEC 60079-0:2018, EN 60079-1:2014, EN 60079-31:2014 IEC 60079-0:2017, IEC 60079-1:2014, IEC 60079-31:2013	
<b>Ambient Temperature</b>	-40°C to +65°C	
<b>Index of Protection</b>	IP66	
<b>Entries</b>	NPT or Metric threads	
<b>Mounting</b>	Wall mount	
<b>Rated Voltage</b>	Max. 750V.ac 50/60Hz.	
<b>Ground</b>	M5 (size 1-4), M8 (size 5) External ground point	

## Max. Dissipation Power Loss (Watts)

Cat. No.	Dissipation Power Loss by use in Temperature Class			
	T6		T5	
	Ta +40°C		Ta +65°C	
DCR1	40	53	18	31
DCR2	45	30	20	35
DCR3	57	77	26	45
DCR4	81	108	36	63
DCR5	111	147	49	86

## Catalogue Number Logic

DCR ■ - W - □□

Series	Enclosure Size	Inspection Window	Type of Application
DCR	(see catalogue number table)	none no window W Window	U Empty Enclosure T Terminal Box CP Control Panel MS Motor Starter Box CB Circuit Breaker Box

# Control Station and Control Panel: Control Box, DCR series

Flameproof and Dust protection by enclosure

Zone 1 & 2 – 21 & 22



## Ordering Requirements and Dimension

Figure-1 (Size 1,2)

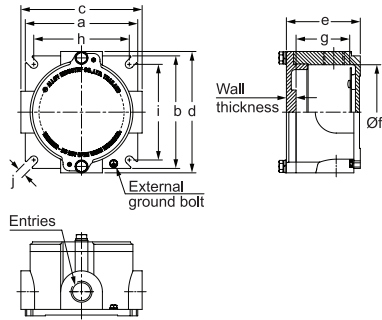


Figure-2 (Size 3)

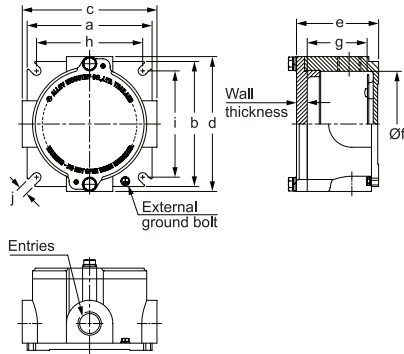
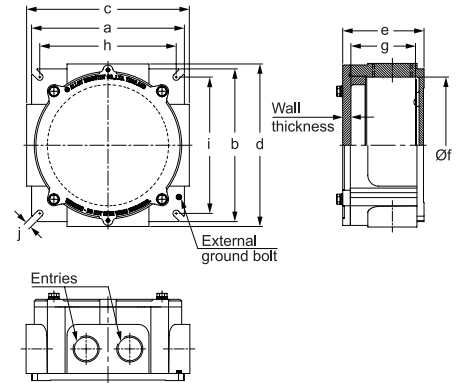


Figure-3 (Size 4,5)



Enclosure		Dimension in mm.											Wall Thickness	Volume (cm <sup>3</sup> )	Weight (kgs.)
		Outside				Inside			Mounting						
Cat. No.	Size	a	b	c	d	e	Øf	g	h	i	j				
DCR1 - □□	Size 1	105	105	114	114	92	88	63	86	86	8	Figure-1	15	400	1.0
DCR2 - □□	Size 2	115	115	134	134	92	98	63	96	96	8	Figure-1	15	600	1.4
DCR3 - □□	Size 3	140	140	151	151	92	118	63	119	119	10	Figure-2	15	790	1.7
DCR4 - □□	Size 4	172	172	180	180	124	144	93	151	151	10	Figure-3	15	1,650	4.2
DCR5 - □□	Size 5	197	197	210	210	139	174	107	170	170	12	Figure-3	15	2,740	5.5

## Body Drilling Data

Figure-1 (Size 1,2,3)

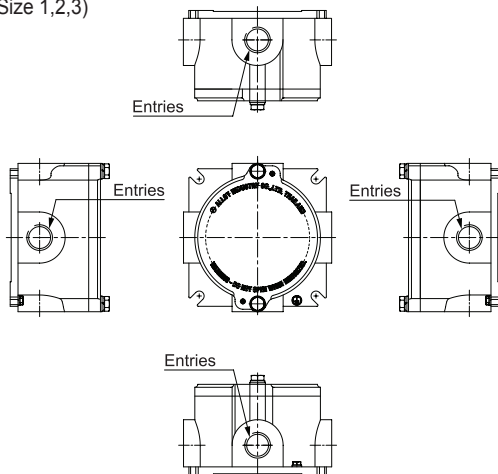
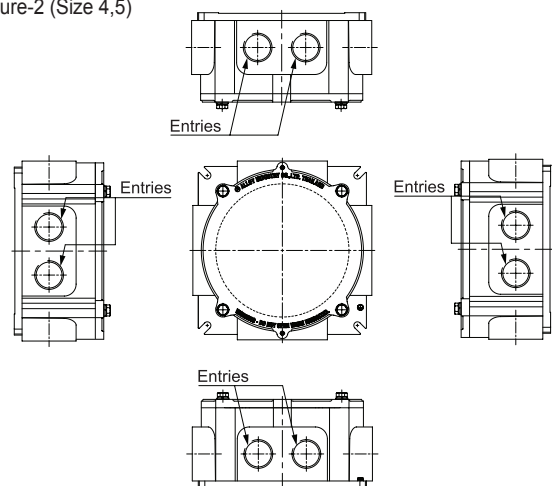


Figure-2 (Size 4,5)



Cat. No.	Drilling Area (mm.)	Maximum entries thread size, NPT (Metric)							
		1/2" NPT (M20x1.5)	3/4" NPT (M25x1.5)	1" NPT (M32x1.5)	1-1/4" NPT (M40x1.5)	1-1/2" NPT (M50x1.5)	2" NPT (M63x1.5)	2-1/2" NPT (M75x1.5)	3" NPT (M80x1.5)
DCR1 - □□	-	1	1	-	-	-	-	-	-
DCR2 - □□	-	1	1	1	1	-	-	-	-
DCR3 - □□	-	1	1	1	1	-	-	-	-
DCR4 - □□	-	2	2	2	2	1	-	-	-
DCR5 - □□	-	2	2	2	2	1	1	-	-

Note: All holes are design for cable entries (cable gland).



# Control Station and Control Panel: Switchrack Assemblies

Flameproof and Dust protection by enclosure

Zone 1 & 2 – 21 & 22

## Application

The switchrack assemblies are designed for

- hazardous areas of zone 1, 2 and zone 21, 22
- providing a complete circuit breakers, motor starters, circuit breaker panelboards, terminal boxes, metering or control boxes with factory wired, assembled and mounted on free-standing rack.

## Specification

Rack structure : Steel with hot-dip galvanized

## Technical Data

<b>Hazardous Area</b>	<b>Gas</b>	<b>Dust</b>
<b>Zones</b>	<b>1 &amp; 2</b>	<b>21 &amp; 22</b>
<b>Equipment Group/Category</b>	<b>II 2G</b>	<b>II 2D</b>
<b>Symbol of Protection</b>	<b>Ex db IIB Gb</b>	<b>Ex tb IIIC Db</b>
<b>Conformity to Standards</b>	EN IEC 60079-0:2018, EN 60079-1:2014, EN 60079-31:2014	
<b>Ambient Temperature</b>	-20°C to +55°C	
<b>Index of Protection</b>	IP66	
<b>Entries</b>	NPT or Metric threads	
<b>Mounting</b>	Wall mount or Stanchion mount	
<b>Rated Voltage</b>	Max. 415V.ac 50/60Hz.	

A  
B  
C  
D  
E  
F  
G  
H

