

Fixture Accessories: Fixture Hanger, DCH series

Flameproof and Dust protection by enclosure

Zone 1 & 2 – 22



Application

The DCH fixture hangers are designed for suspension or pipe pendant mounting of the lighting fixtures. They are suitable for use in zone 1, 2 and zone 22 explosive atmospheres.

Specification

Body material : Marine grade copper-free aluminium alloy with polyester powder coated, RAL 7032 (Grey)

Technical Data

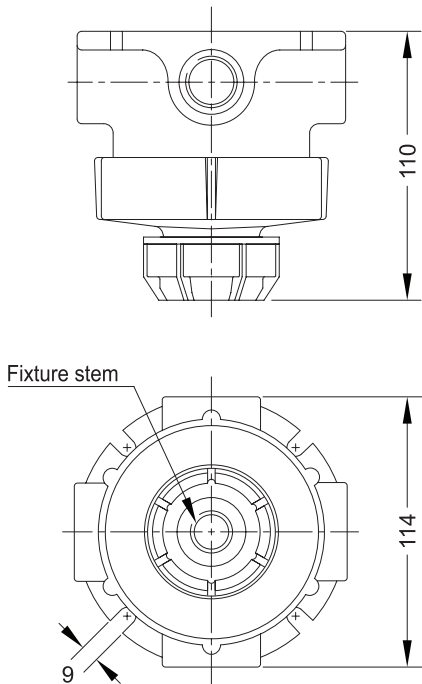
Hazardous Area	Gas	Dust
Zones	1 & 2	22
Equipment Group/Category	II 2G	II 3D
Symbol of Protection	Ex d IIB Gb	Ex tc IIIB Dc
Conformity to Standards	EN IEC 60079-0:2018, EN 60079-1:2014, EN 60079-31:2014	
Ambient Temperature	-20°C to +75°C	
Index of Protection	IP54	

Catalogue Number Logic

DCH	○	■	■
Series	Type	Entries	Fixture stem
C	2-hubs straight	1 1/2" NPT	1 Ø1/2" NPT
L	2-hubs angle	2 3/4" NPT	2 Ø3/4" NPT
T	3-hubs		
X	4-hubs		



Dimension



Ordering Requirements

Cat. No.	Diagram	Entries Thread	Fixture Stem Size	Volume (cm³)	Approx. Weight (kgs.)
2- Hubs straight					
DCHC 11		1/2" NPT	1/2" NPT	410	0.868
DCHC 12			3/4" NPT		
DCHC 21		3/4" NPT	1/2" NPT	410	0.875
DCHC 22			3/4" NPT		
2- Hubs angle					
DCHL 11		1/2" NPT	1/2" NPT	420	0.868
DCHL 12			3/4" NPT		
DCHL 21		3/4" NPT	1/2" NPT	420	0.875
DCHL 22			3/4" NPT		
3- Hubs					
DCHT 11		1/2" NPT	1/2" NPT	410	0.868
DCHT 12			3/4" NPT		
DCHT 21		3/4" NPT	1/2" NPT	410	0.875
DCHT 22			3/4" NPT		
4- Hubs					
DCHX 11		1/2" NPT	1/2" NPT	430	0.868
DCHX 12			3/4" NPT		
DCHX 21		3/4" NPT	1/2" NPT	430	0.875
DCHX 22			3/4" NPT		

