

# Control Station and Control Panel: Control Station, CTE2 series

Flameproof/ Increased Safety and Dust protection by enclosure

Zone 1 & 2 – 21 & 22

## Application

The CTE2 control stations are used for local or remote control of motor and machine in zone 1, 2 and zone 21, 22 hazardous areas.

## Specification

- Body, cover : Marine grade copper-free aluminium alloy with polyester powder coated, RAL 7032 (grey)
- Sealing gasket : Silicone
- Bolts, nuts : Stainless steel, SUS 304

## Electrical Rating

- Switch modules : 16A. 400V. (AC 12)  
10A. 400V. (AC 15)  
1A. 24V. (DC 13)  
690V. rated insulation voltage



- Lamp modules : LED lamp > 10<sup>5</sup> hr. illuminated  
AC 12V. to 250V. operating voltage  
DC 12V. to 60V. operating voltage  
< 1W. power consumption  
300V. rated insulation voltage



## Technical Data

<b>Hazardous Area</b>	<b>Gas</b>	<b>Dust</b>
<b>Zones</b>	<b>1 &amp; 2</b>	<b>21 &amp; 22</b>
<b>Equipment Group/Category</b>	<b>II 2G</b>	<b>II 2D</b>
<b>Symbol of Protection</b>	<b>Ex de IIC T6 Gb</b>	<b>Ex tb IIIC T80°C</b>
<b>Conformity to Standards</b>	EN IEC 60079-0:2018, EN 60079-1:2014, EN IEC 60079-7:2015/A1:2018, EN 60079-31:2014	
<b>Ambient Temperature</b>	-20°C to +50°C	
<b>Index of Protection</b>	IP65	
<b>Entries</b>	1/2" to 1" NPT (M20x1.5 to M32x1.5)	
<b>Mounting</b>	Wall type	

## Catalogue Number Logic

CTE2 - ■■■ - □□□ - □ T

Series	Number of Unit	Number of Padlockable	Entries		Number of Terminal	
1	1-unit	00 none	T	Dead-end/ Top	N1 1/2" NPT	2T 2-Poles
2	2-units	1P 1-padlockable	B	Dead-end/ Bottom	N2 3/4" NPT	4T 4-Poles
3	3-units	2P 2-padlockable	C	Through-feed	N3 1" NPT	6T 6-Poles
4	4-units	3P 3-padlockable	M1	M20x1.5	M2 M25x1.5	8T 8-Poles
			M2	M25x1.5	M3 M32x1.5	
			M3	M32x1.5		

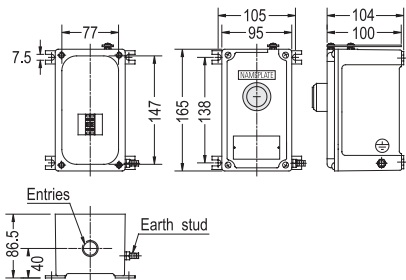
## Ordering Requirements

Number of Unit	Number of Padlockable *	Cat. No.	Approx. Weight (kgs.)
1-unit	none	CTE2-100-□□□-□ T	1.20
	1	CTE2-11P-□□□-□ T	
2-units	none	CTE2-200-□□□-□ T	1.50
	1	CTE2-21P-□□□-□ T	
3-units	none	CTE2-300-□□□-□ T	2.25
	1	CTE2-31P-□□□-□ T	
	2	CTE2-32P-□□□-□ T	
	3	CTE2-33P-□□□-□ T	
4-units	none	CTE2-400-□□□-□ T	2.25

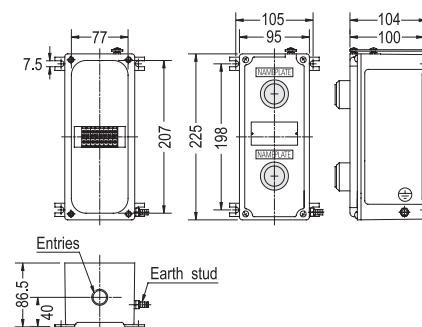
\* Padlockable by pin for push buttons and/or selector switches

## Dimension

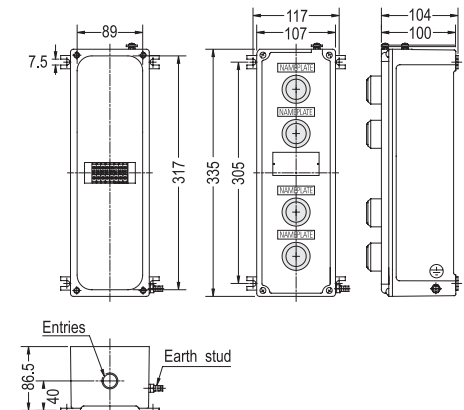
### 1-unit



### 2-units



### 3-4-units



**Note :** For selection of switch and lamp modules, please find the BARTEC 's catalogue in series 05-0003, 07-3323, and 07-3353.