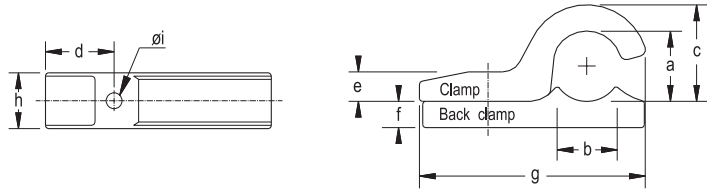


## Clamp and Back Clamp



### Ordering Requirements and Dimension



### Application

CL clamps and CLB back clamps are used for fixing the rigid steel conduit (RSC), intermediate metal conduit (IMC) or cable in dry, wet or corrosive locations.

- CL clamps are used for fixing the conduit or cable running on surface.
- CLB back clamps are used with CL clamps to provide space between conduit and surface.

### Specification

Body material : Marine grade copper-free aluminium alloy with polyester powder coated, RAL 7032 (Grey)

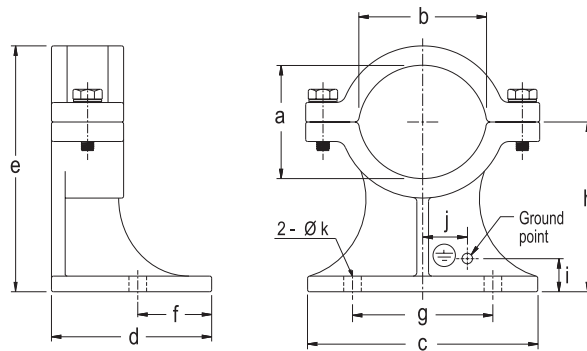
Standard size : 1/2 to 4 inches conduit size

Cat. No.		Conduit Size (inch)	Dimension in mm.								
Clamps	Back Clamps		a	b	c	d	e	f	g	h	ø i
CL 1	CLB 1	1/2"	20.0	19.0	30.0	22.0	10.0	8.0	70.0	16.0	6.0
CL 2	CLB 2	3/4"	25.0	23.0	33.0	22.0	11.0	8.0	77.0	16.0	6.0
CL 3	CLB 3	1"	31.0	28.0	39.0	24.0	12.0	10.0	85.0	16.0	7.0
CL 4	CLB 4	1-1/4"	40.0	35.0	47.0	28.0	14.0	10.0	98.0	25.0	8.0
CL 5	CLB 5	1-1/2"	44.0	38.0	54.0	28.0	14.0	10.0	105.0	25.0	8.0
CL 6	CLB 6	2"	58.0	47.0	68.0	35.0	14.0	12.0	127.0	29.0	8.0
CL 7	CLB 7	2-1/2"	73.0	52.0	86.0	35.0	16.0	12.0	145.0	31.0	8.0
CL 8	CLB 8	3"	87.0	60.0	102.0	35.0	16.0	13.0	160.0	35.0	8.0
CL 9	CLB 9	3-1/2"	97.0	66.0	113.0	35.0	16.0	13.0	182.0	35.0	8.0
CL 10	CLB 10	4"	105.0	70.0	120.0	35.0	21.0	13.0	188.0	35.0	8.0

## Bracket Clamp



### Ordering Requirements and Dimension



### Application

BC bracket clamps are used for supporting and fixing the rigid steel conduit (RSC), intermediate metal conduit (IMC) or cable in dry, wet or corrosive location.

### Specification

Body material : Marine grade copper-free aluminium alloy with polyester powder coated, RAL 7032 (Grey)

Screw and washer : Stainless steel

Cat. No.	Conduit Size (inch)	Dimension in mm.										
		a	b	c	d	e	f	g	h	i	j	ø k
BC 1	1/2"	18.0	24.0	72.0	60.0	61.0	30.0	45.0	45.0	14.0	14.0	12.0
BC 2	3/4"	23.0	30.0	83.0	60.0	76.0	30.0	50.0	57.0	14.0	14.0	12.0
BC 3	1"	30.0	36.0	83.0	60.0	80.0	30.0	50.0	57.0	14.0	14.0	12.0
BC 4	1-1/4"	38.0	46.0	111.0	60.0	84.0	30.0	65.0	57.0	14.0	14.0	12.0
BC 5	1-1/2"	44.0	52.0	111.0	60.0	87.0	30.0	65.0	57.0	14.0	14.0	12.0
BC 6	2"	56.0	63.0	145.0	72.0	124.0	36.0	80.0	87.0	17.0	17.0	14.0
BC 7	2-1/2"	69.0	76.0	145.0	72.0	131.0	36.0	80.0	87.0	17.0	17.0	14.0
BC 8	3"	84.0	92.0	187.0	90.0	167.0	45.0	100.0	115.0	20.0	20.0	14.0
BC 9	3-1/2"	96.0	106.0	187.0	90.0	173.0	45.0	100.0	115.0	20.0	20.0	14.0
BC 10	4"	109.0	120.0	187.0	90.0	179.0	45.0	100.0	115.0	20.0	20.0	14.0