

AIVIO
HYDRAULICS



HYDRAULIC GEAR
PUMP & MOTOR
“PGP300 SERIES”

**PGP315**

Type :External Gear Pump

Material : Cast Iron

Displacement : 10.2 cc/rev to 40.6 cc/rev

Working Pressure : 172 - 241 bar (3,000 - 3,500 PSI)

Rotation : Clockwise / Anti-Clockwise

Drive shaft : 9 teeth / Keyed 15.88mm and 22.22mm.

Front End cover : 2 bolt and 4 bolt

Multiple Pump : Available

**PGP330**

Type :External Gear Pump

Material : Cast Iron

Displacement : 10.2 cc/rev to 40.6 cc/rev

Working Pressure : 172 - 241 bar (3,000 - 3,500 PSI)

Rotation : Clockwise / Anti-Clockwise

Drive shaft : 9 teeth / Keyed 15.88mm and 22.22mm.

Front End cover : 2 bolt and 4 bolt

Multiple Pump : Available

**PGP350**

Type :External Gear Pump

Material : Cast Iron

Displacement : 10.2 cc/rev to 40.6 cc/rev

Working Pressure : 172 - 241 bar (3,000 - 3,500 PSI)

Rotation : Clockwise / Anti-Clockwise

Drive shaft : 9 teeth / Keyed 15.88mm and 22.22mm.

Front End cover : 2 bolt and 4 bolt

Multiple Pump : Available

**PGP365**

Type :External Gear Pump

Material : Cast Iron

Displacement : 10.2 cc/rev to 40.6 cc/rev

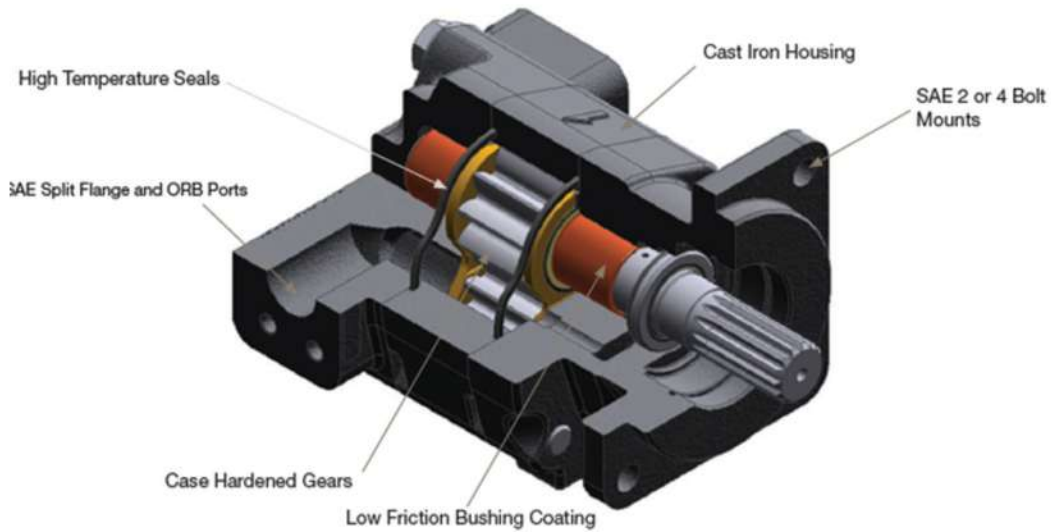
Working Pressure : 172 - 241 bar (3,000 - 3,500 PSI)

Rotation : Clockwise / Anti-Clockwise

Drive shaft : 9 teeth / Keyed 15.88mm and 22.22mm.

Front End cover : 2 bolt and 4 bolt

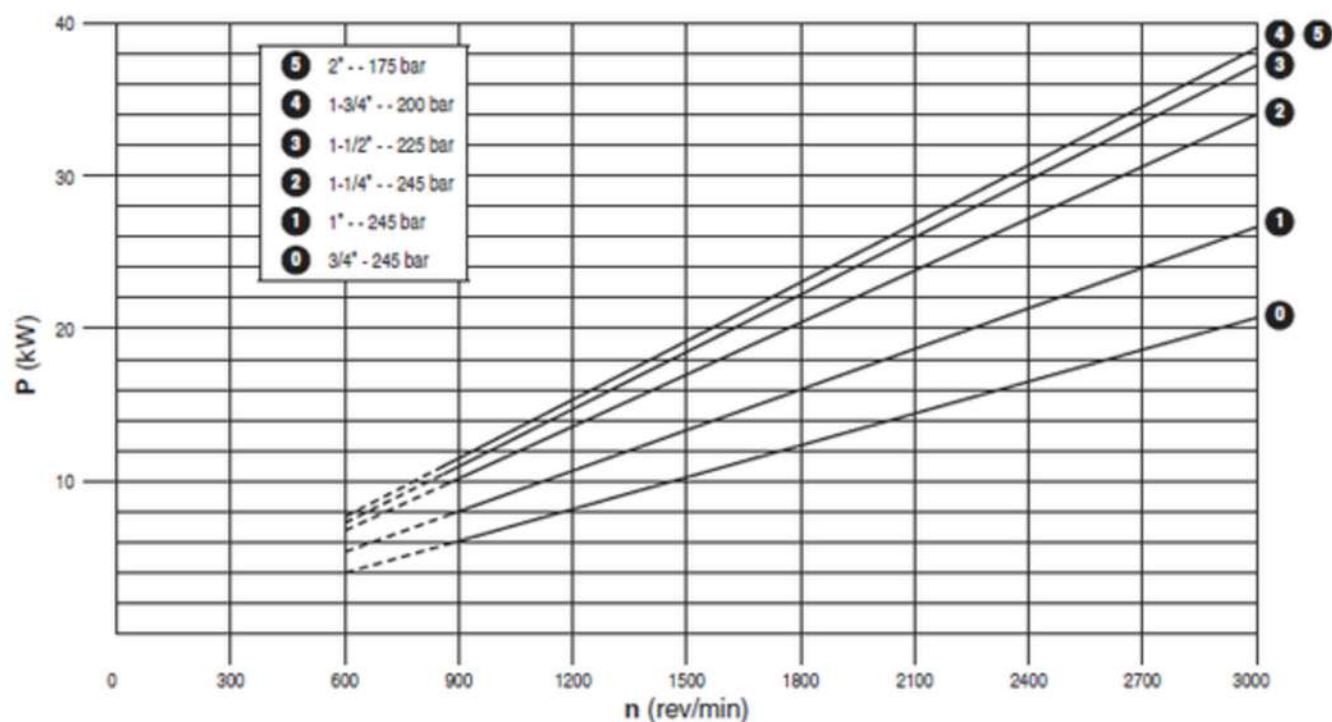
Multiple Pump : Available



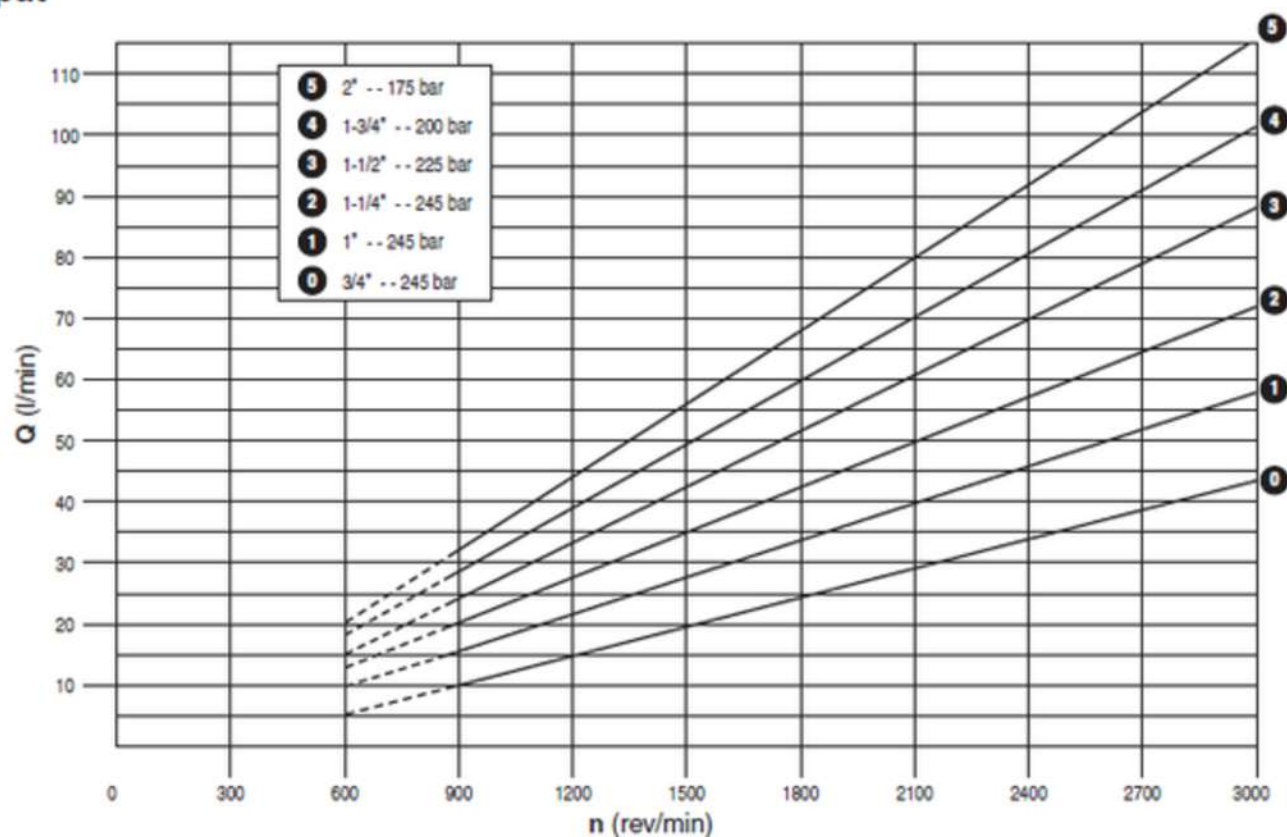
PGP/PGM displacement and general specification

FRAME SIZE		05	07	10	12	15	17	20	22	25
P315	GEAR HOUSING SIZE	0.88"	1.13"	1.38"	1.63"	1.88"	2.13"	2.38"		
	GEAR SIZE	0.50"	0.75"	1.00"	1.25"	1.50"	1.75"	2.00"		
	DISPLACEMENT (cc/rev)	10.2	15.2	20.3	25.4	30.5	35.6	40.6		
	MAX PRESSURE (BAR)	241	241	241	241	228	200	172		
	MAX PRESSURE (PSI)	3500	3500	3500	3500	3300	2900	2500		
	MAX SPEED (RPM)	3000	3000	3000	3000	3000	3000	3000		
	WEIGHT (KG)	7.2	7.7	8.2	8.6	9.1	9.5	10		
P330	GEAR HOUSING SIZE	1.00"	1.25"	1.50"	1.75"	2.00"	2.25"	2.50"		
	GEAR SIZE	0.50"	0.75"	1.00"	1.25"	1.50"	1.75"	2.00"		
	DISPLACEMENT (cc/rev)	16.0	24.1	32.2	40.3	48.3	56.4	64.5		
	MAX PRESSURE (BAR)	241	241	241	241	241	224	207		
	MAX PRESSURE (PSI)	3500	3500	3500	3500	3500	3250	3000		
	MAX SPEED (RPM)	3000	3000	3000	3000	3000	3000	3000		
	WEIGHT (KG)	15.2	15.8	16.3	16.9	17.5	18.1	18.7		
P350	GEAR HOUSING SIZE	1.00"	1.25"	1.50"	1.75"	2.00"	2.25"	2.50"	2.75"	3.00"
	GEAR SIZE	0.50"	0.75"	1.00"	1.25"	1.50"	1.75"	2.00"	2.25"	2.50"
	DISPLACEMENT (cc/rev)	20.9	31.3	41.8	52.2	62.7	73.1	83.6	94	104.5
	MAX PRESSURE (BAR)	241	241	241	241	241	224	207	190	172
	MAX PRESSURE (PSI)	3500	3500	3500	3500	3500	3250	3000	2750	2500
	MAX SPEED (RPM)	2400	2400	2400	2400	2400	2400	2400	2400	2400
	WEIGHT (KG)	21.8	22.4	23.1	23.8	24.5	25.2	25.9	26.5	27.2
P365	GEAR HOUSING SIZE	1.25"	1.50"	1.75"	2.00"	2.25"	2.50"	2.75"	3.00"	
	GEAR SIZE	0.75"	1.00"	1.25"	1.50"	1.75"	2.00"	2.25"	2.50"	
	DISPLACEMENT (cc/rev)	44.3	59.0	73.8	88.5	103.3	118.0	132.8	147.5	
	MAX PRESSURE (BAR)	241	241	241	241	241	241	224	207	
	MAX PRESSURE (PSI)	3500	3500	3500	3500	3500	3500	3250	3000	
	MAX SPEED (RPM)	2400	2400	2400	2400	2400	2400	2400	2400	
	WEIGHT (KG)	24.3	25.4	26.5	27.7	28.8	30.0	31.1	32.2	

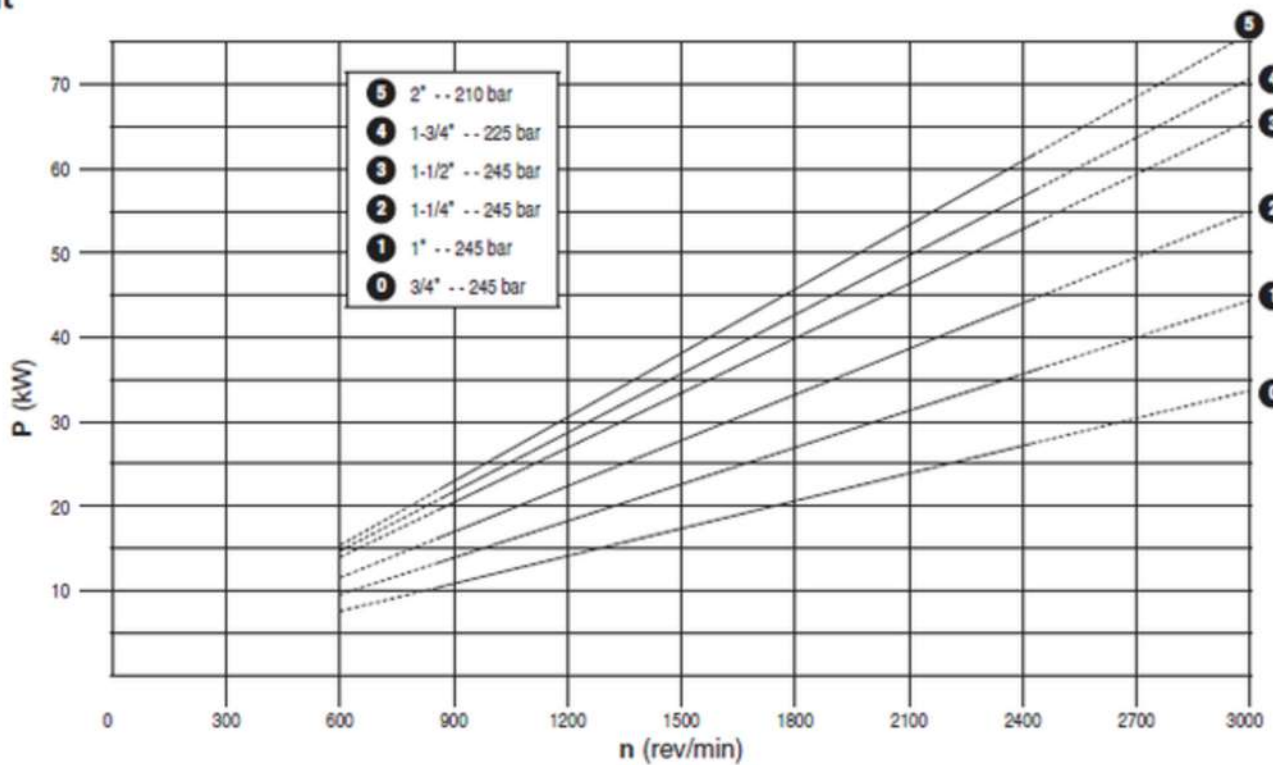
Input



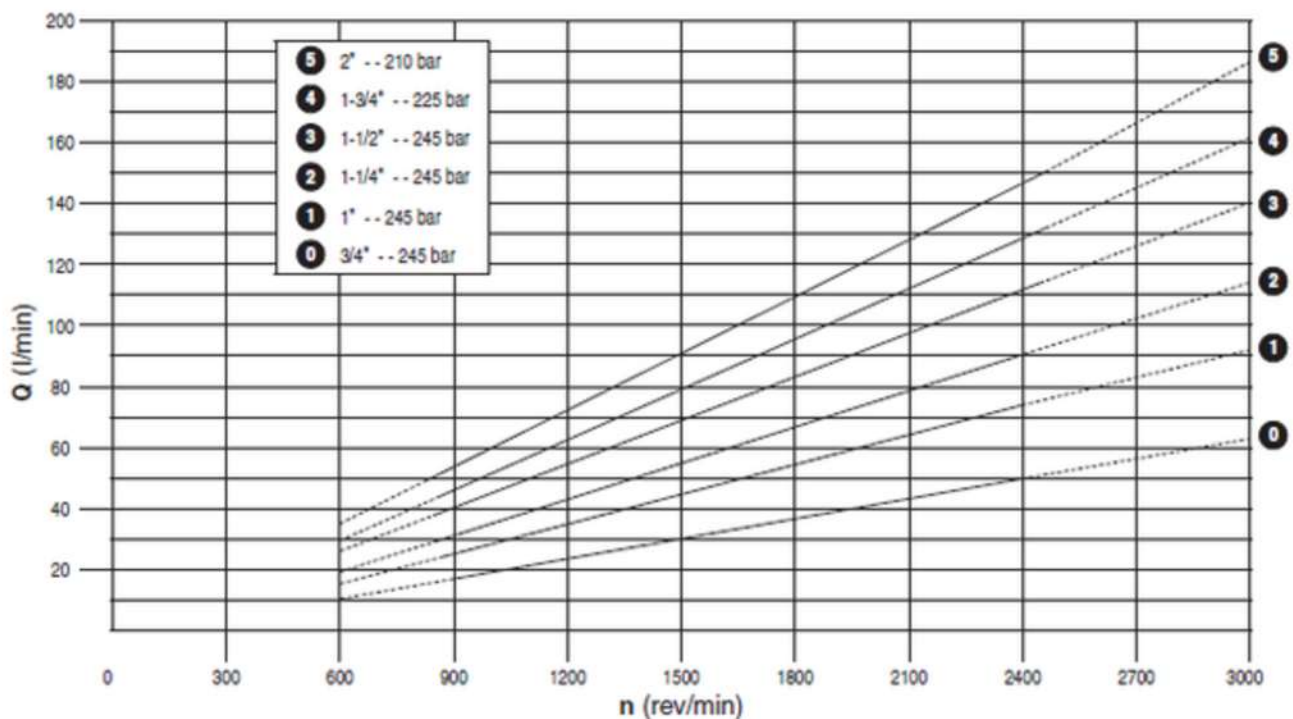
Output



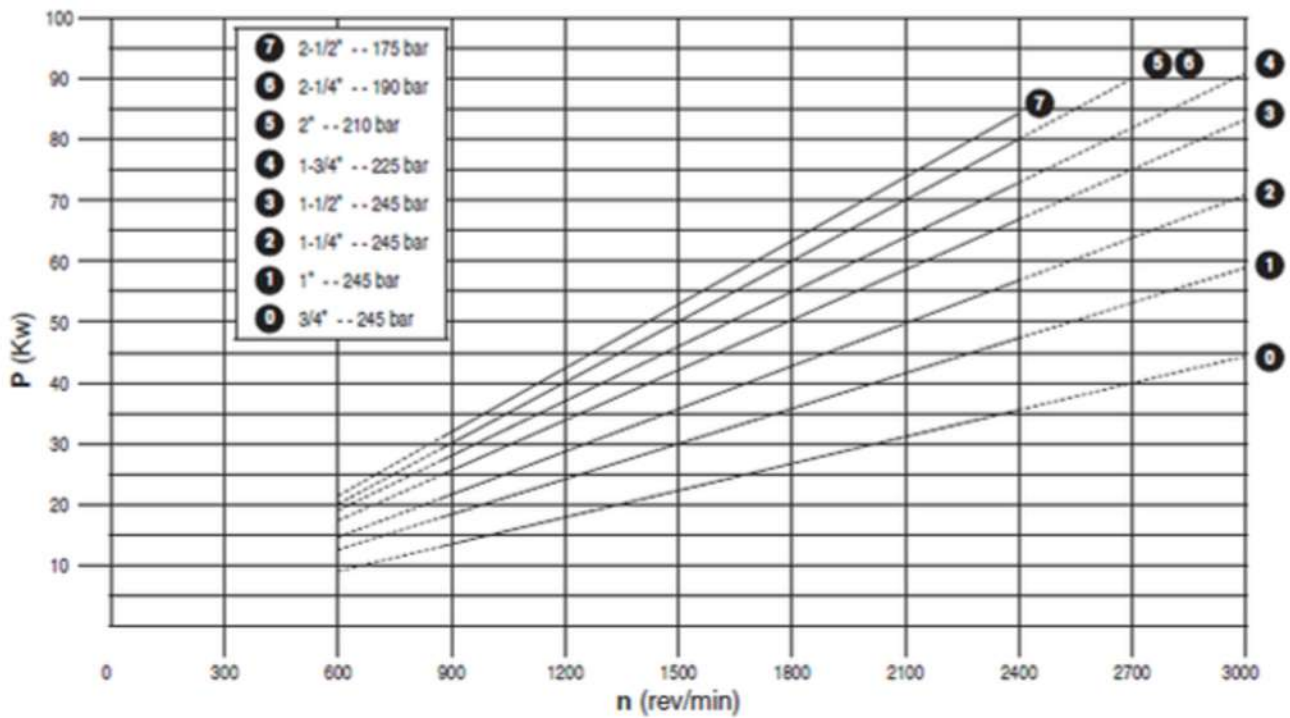
Input



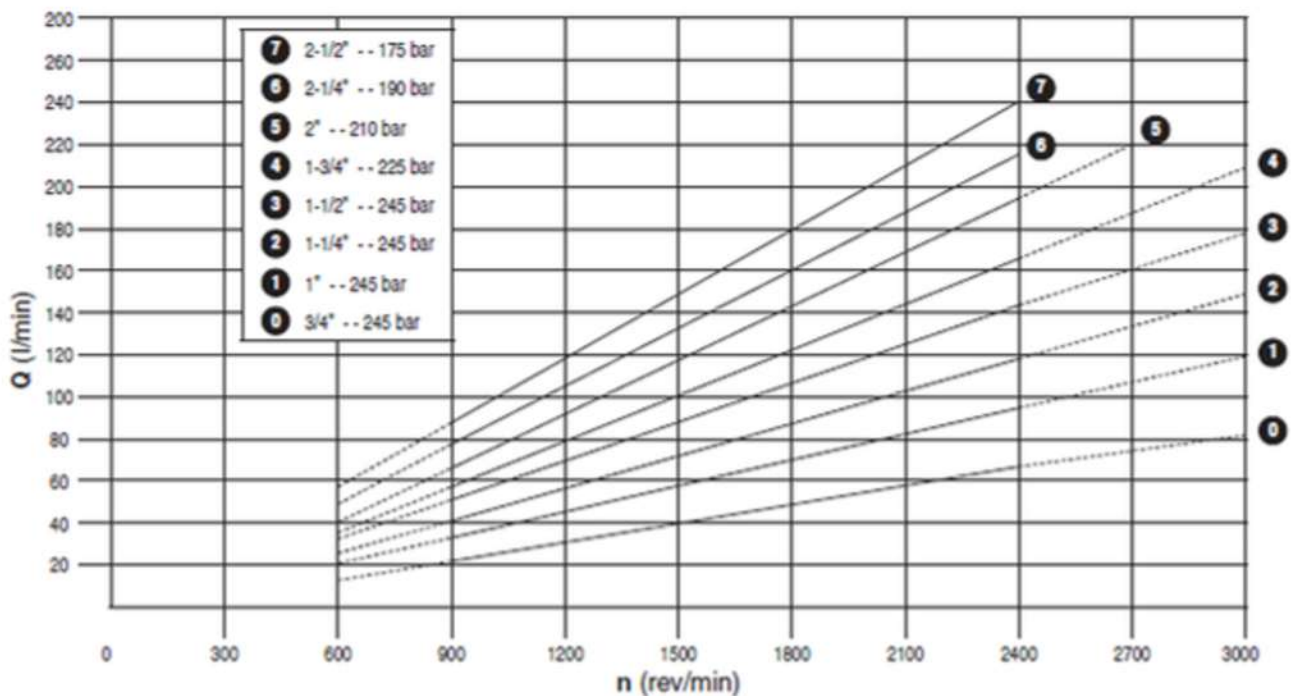
Output



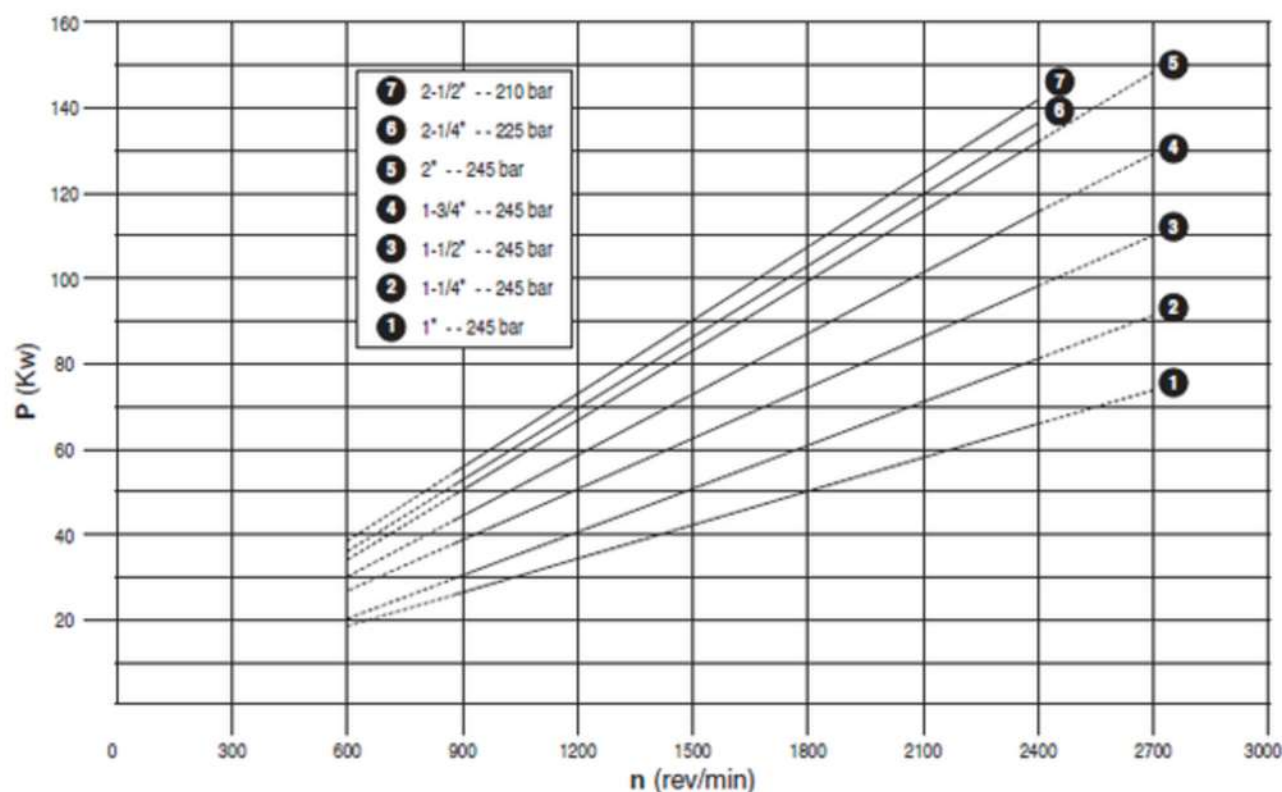
Input



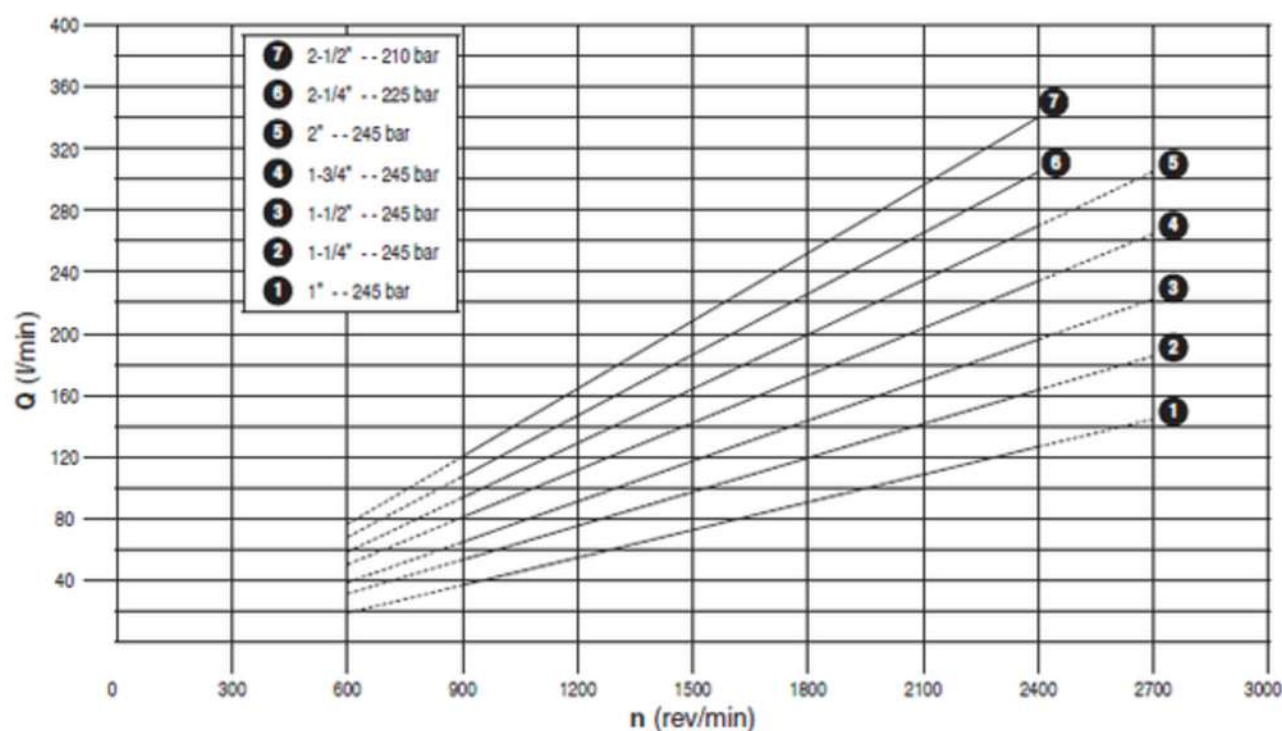
Output



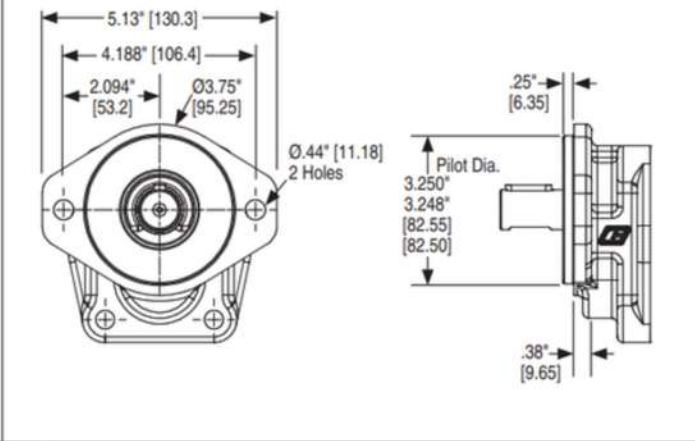
Input



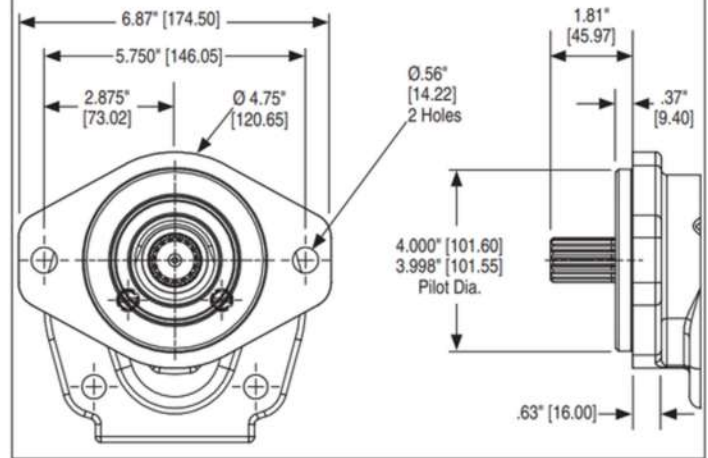
Output



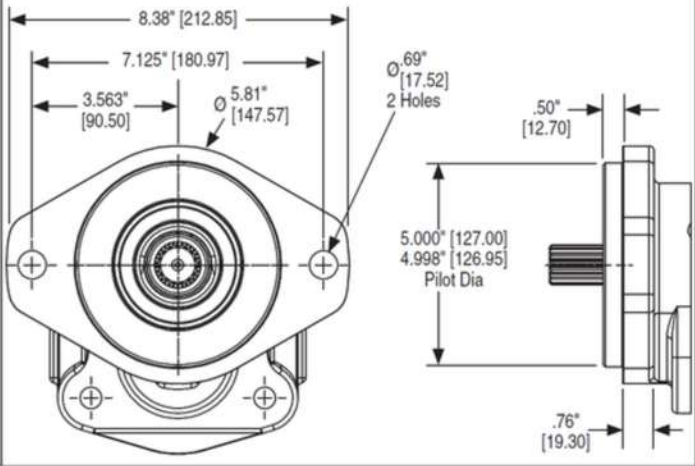
93 SAE A 2-Bolt



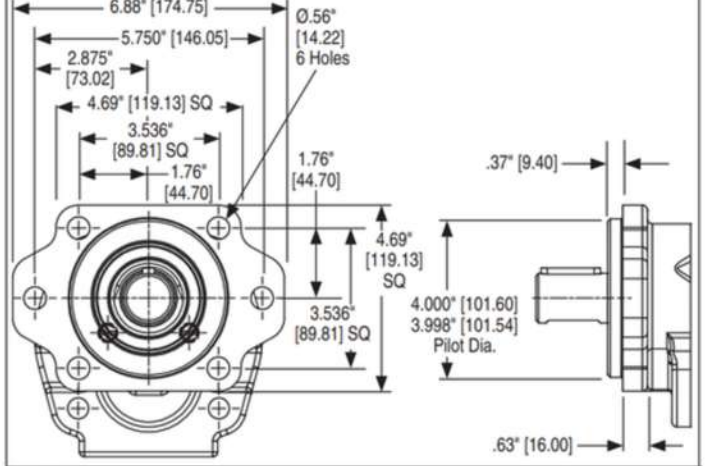
97 SAE B 2-Bolt



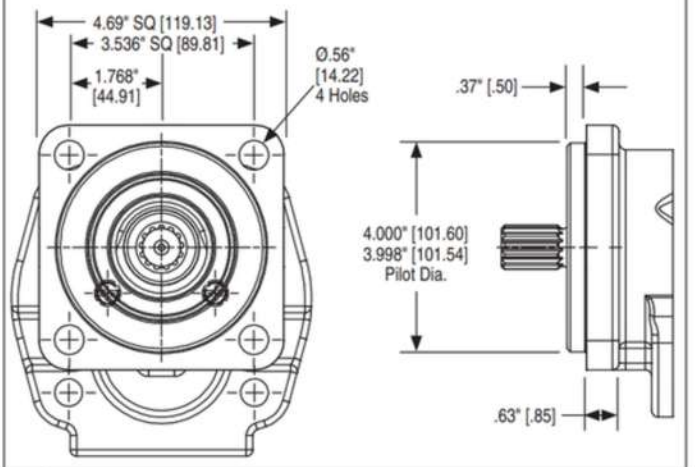
98 SAE C 2-Bolt



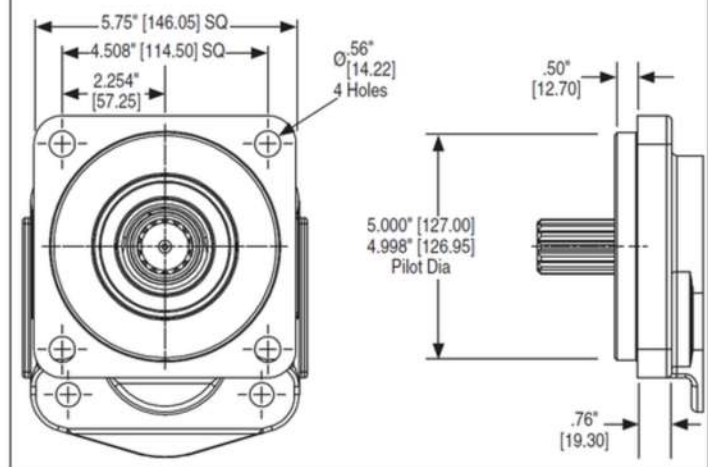
46 SAE B 2/4-Bolt



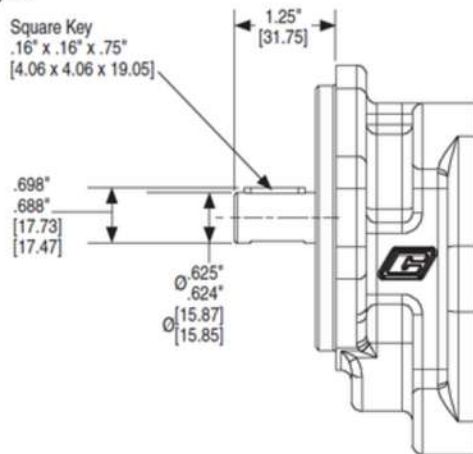
42 SAE B 4-Bolt



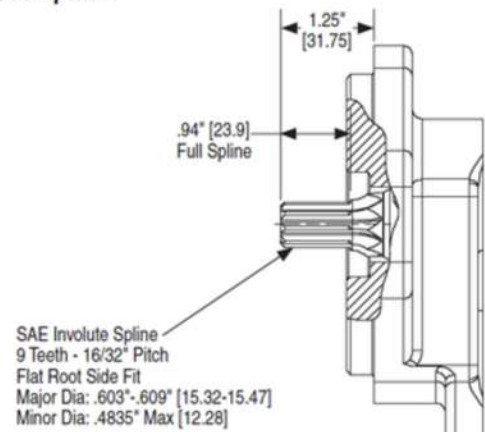
78 SAE C 4-Bolt



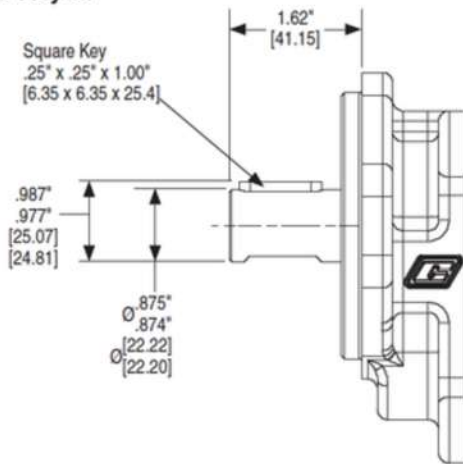
97 SAE A Keyed



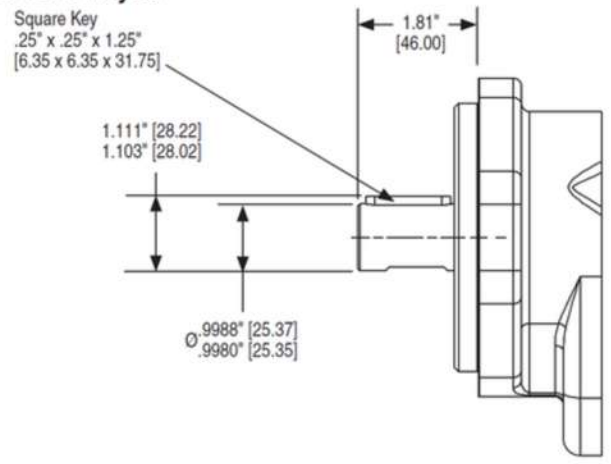
96 SAE A Spline



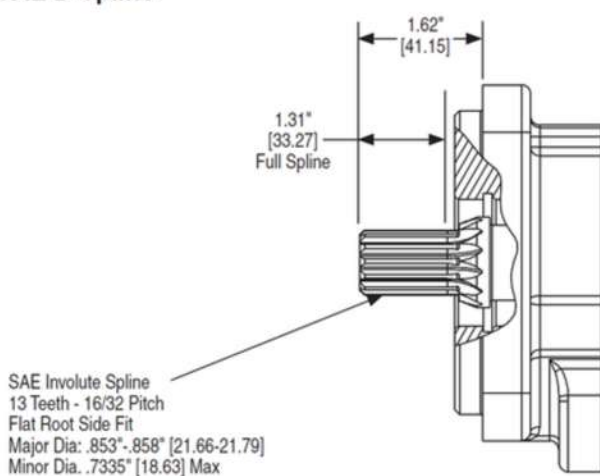
66 SAE B Keyed



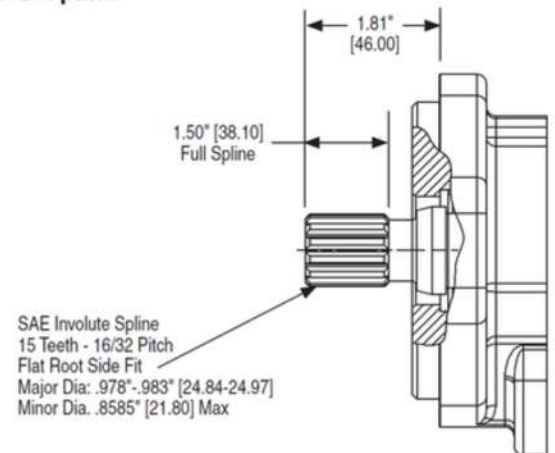
43 SAE B-B Keyed

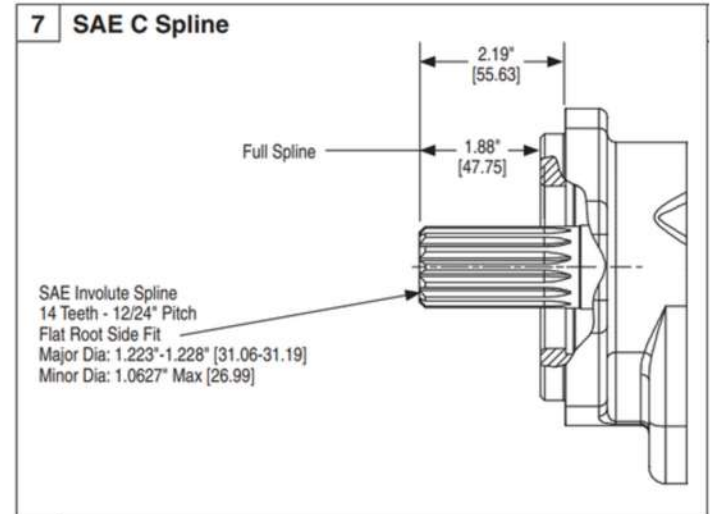
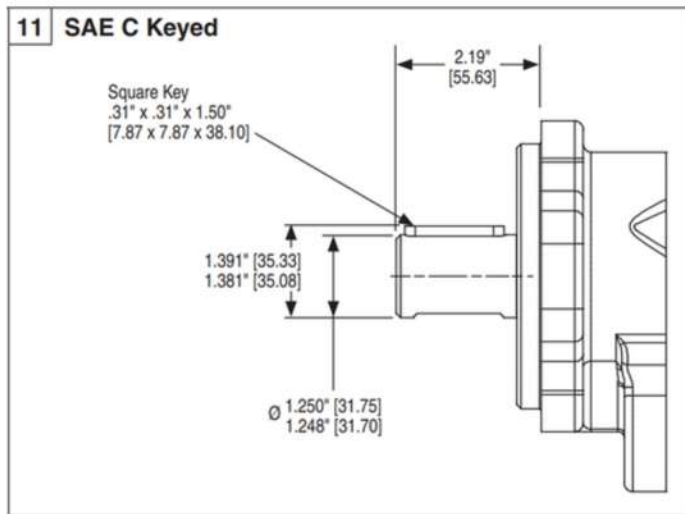


25 SAE B Spline



98 SAE B-B Spline

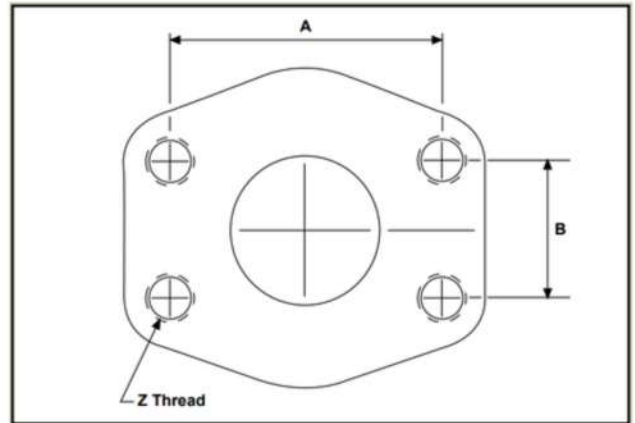


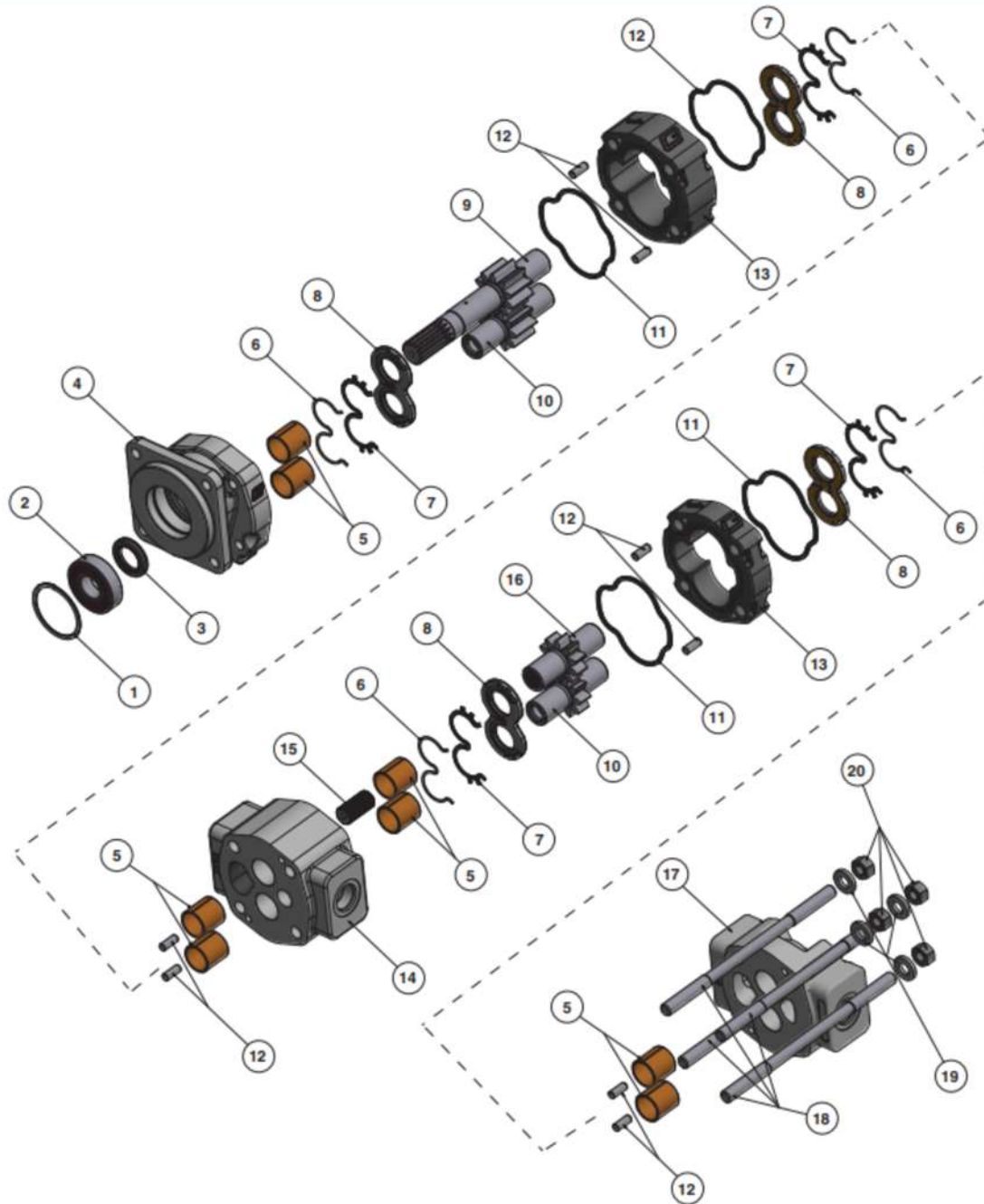


Model	Shaft Style	Maximum Torque	
		ib-ft	Nm
315	Keyed Shaft 15.88mm.	62	84
	9 Teeth Spline	80	109
	Keyed Shaft 22.22mm.	167	226
	Connecting shaft	90	122
330	Key shaft 1"	250	339
	13 Teeth Spline	242	328
	15 Teeth Spline	371	503
	Connecting shaft	159	215
350	Key shaft 1-1/4"	500	678
	13 Teeth Spline shaft	242	328
	14 Teeth Spline shaft	300	407
	15 Teeth Spline	371	503
	Connecting shaft	300	407
365	Key shaft 1-1/4"	500	678
	14 Teeth Spline shaft	708	960
	Connecting shaft	533	723

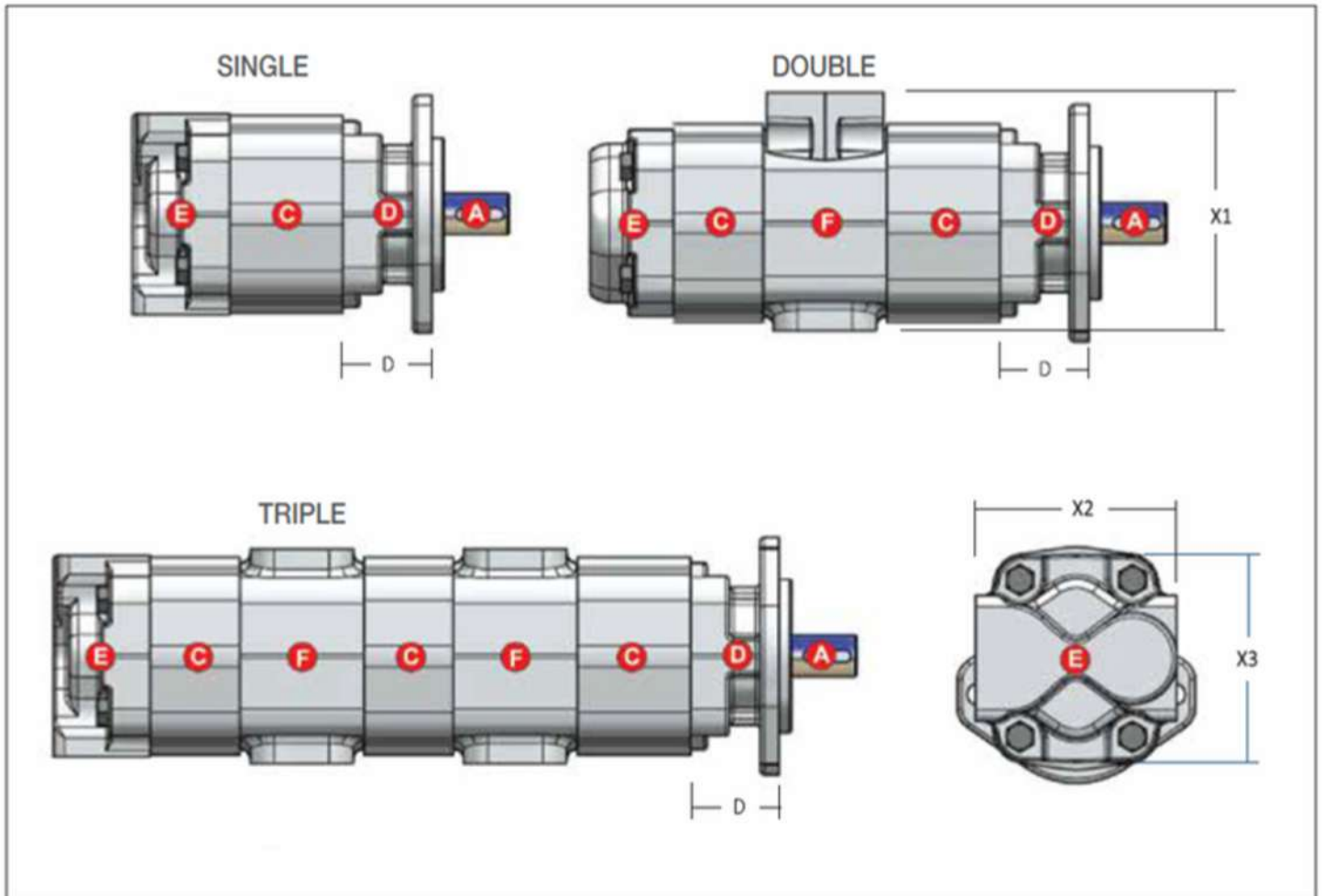
Torque (Nm) $\frac{\text{Pressure (bar)} \times \text{displacement (cc/rev)}}{62.8}$

SAE Flange Size (D)	Dash Size	A		B		Thread (Z)	
		mm	inches	mm	inches	UNC	Metric
1/2"	- 08	38.10	1.5	17.48	0.69	5/16"	M8
3/4"	- 12	47.63	1.88	22.23	0.88	3/8"	M10
1"	- 16	52.37	2.06	26.19	1.03	3/8"	M10
1 1/4"	- 20	58.72	2.31	30.18	1.19	7/16"	M10
1 1/2"	- 24	69.85	2.75	35.71	1.41	1/2"	M12
2"	- 32	77.77	3.06	42.88	1.69	1/2"	M12
2 1/2"	- 40	88.90	3.50	50.80	2.00	1/2"	M12
3"	- 48	106.38	4.19	61.93	2.44	5/8"	M16





Item	Description	Item	Description
1	Snap Ring	11	Gasket Seal
2	Outboard Bearing	12	Dowel Pin
3	Lip Seal, Shaft Seal	13	Gear housing
4	Front End Cover	14	Bearing Carrier (Single & Dual)
5	Bushing	15	Connecting Shaft
6	Back Up Seal	16	Drive Match Gear
7	Channel Seal	17	Port End Cover
8	Trust Plate (or Pressure Plate)	18	Stud 5/8"
9	Gear Shaft, Drive Gear	19	Washer
10	Driven Match Gear	20	Hex Nut



SERIES 315			SERIES 330 / 350 / 365		
	C			C	
	inches	mm		inches	mm
-03	3/4"	19.05	-05	1"	25.40
-05	7/8"	22.22	-07	1 1/4"	31.75
-06	1"	25.40	-10	1 1/2"	38.10
-07	1 1/8"	28.57	-12	1 3/4"	44.45
-08	1 1/4"	31.75	-15	2"	50.80
-10	1 3/8"	34.92	-17	2 1/4"	57.15
-11	1 1/2"	38.10	-20	2 1/2"	63.50
-12	1 5/8"	41.27	SERIES 350 / 365		
-13	1 3/8"	44.45			
-15	1 7/8"	47.62	-22	2 3/4"	69.85
-16	2"	50.80	-25	3"	76.20
-17	2 1/8"	53.97			
-18	2 1/4"	57.15			
-20	2 3/8"	60.32			

SERIES	D	E1	E2	F	X1	X2	X3
315	48mm	45mm	52mm	67mm	128mm	108mm	112mm
	1.88"	1.75"	2.05"	2.62"	5.03"	4.25"	4.39"
330	80mm	56mm	66.5mm	89mm	173mm	179mm	149mm
	3.15"	2.20"	2.62"	3.50"	6.82"	7.06"	5.87"
350	89mm	56mm	79mm	89mm	195mm	184mm	157mm
	3.52"	2.22"	3.11"	3.50"	7.68"	7.25"	6.18"
365	96mm	76mm	78mm	102mm	96mm	188mm	189mm
	3.76"	2.97"	3.07"	4.01"	8.33"	7.42"	7.44"



Hydraulics Mart (S) Pte Ltd

Address : No 11, Tuas Bay Close, West Star #06-01 Singapore 636996

Email: sales-enquiry@hydraulic-engineer.net

Office Tel: +65 67580555

WhatsApp: +65 82337685