

5000-50.0520.4H
MMSB06/R3-02-06G-A

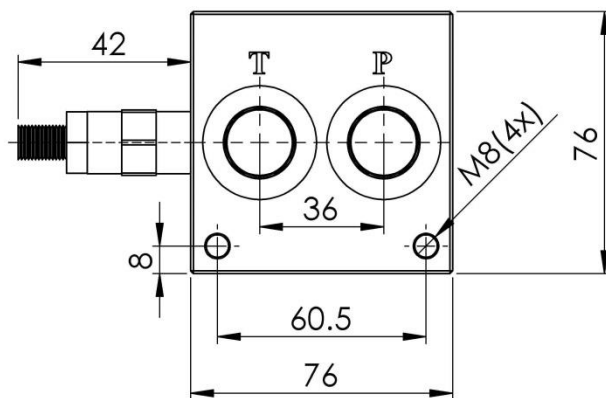
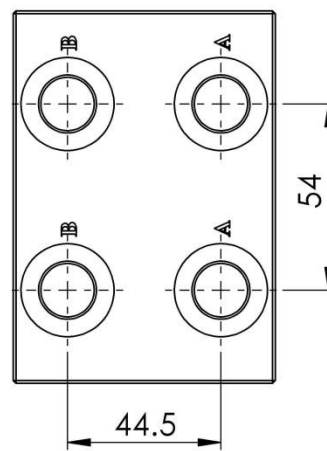
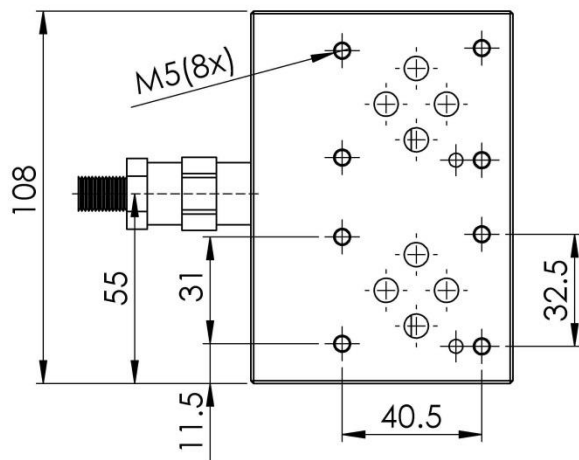
CETOP MODULAR VERSION

CETOP 03 (NG06)

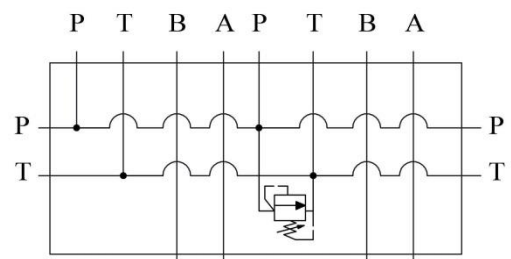
P max.:250 bar

Q max.:60l/min

Material: Aluminum



Oil circuit



TYPE	P(BSPP)	T(BSPP)	A(BSPP)	B(BSPP)	Wt. Approx.(kg)
MMSB06/R3-02-06-GA	1/2"	1/2"	3/8"	3/8"	1.8

HYDRAULIC FLUIDS

Use mineral oil-base hydraulic fluids, with suitable anti-frothing and anti-oxidizing agents.